



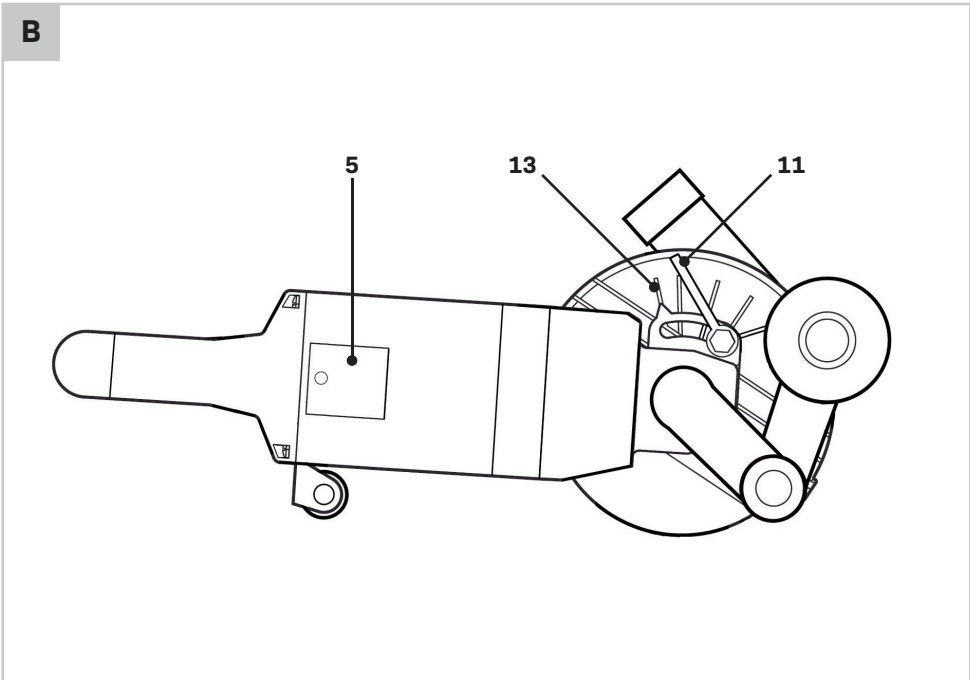
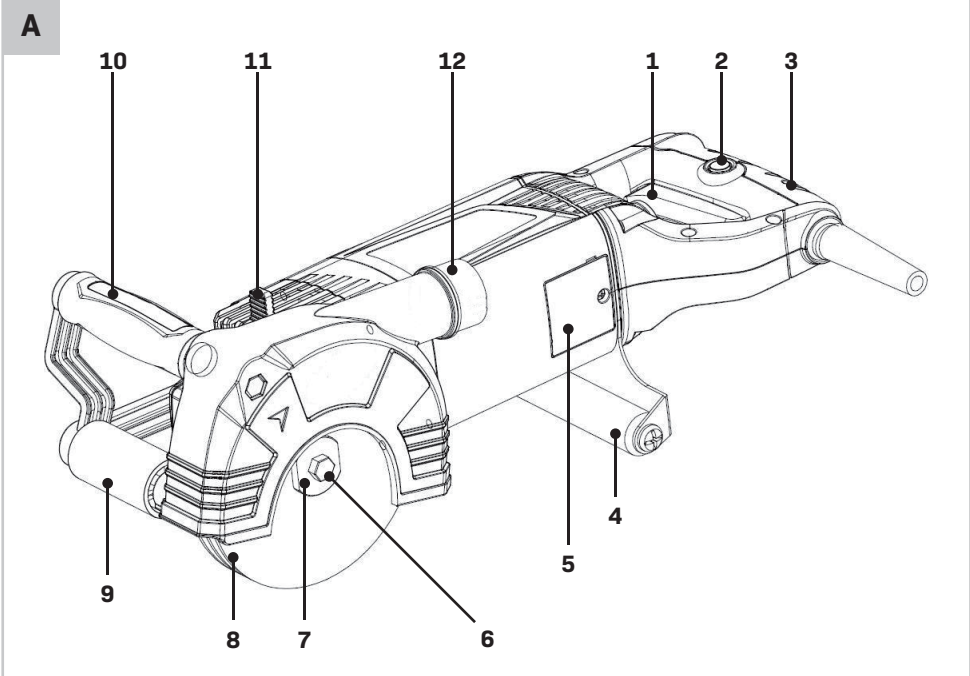
**VONROC®**

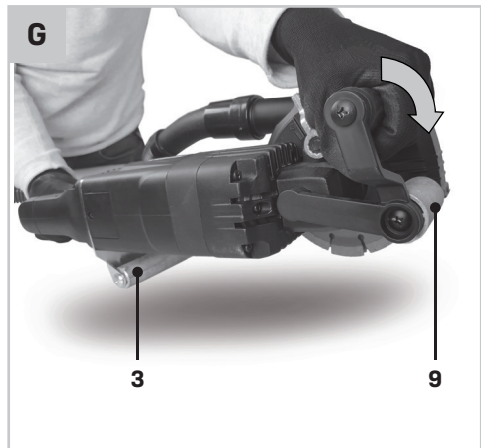
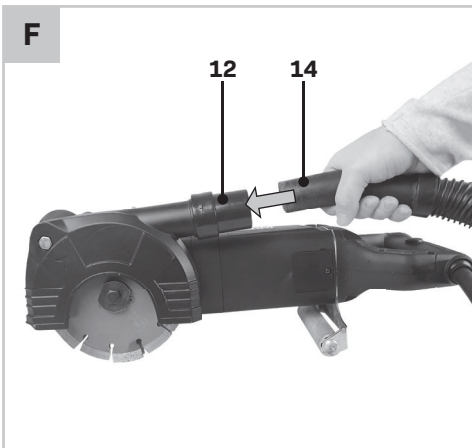
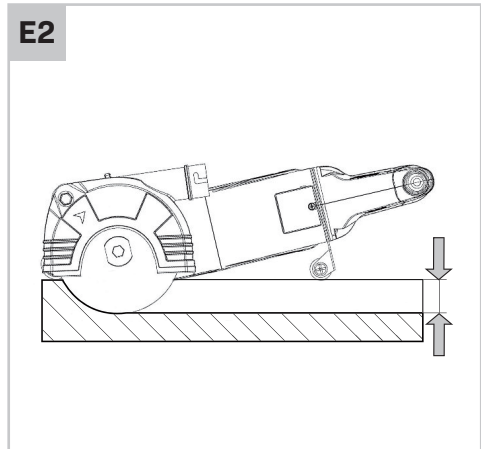
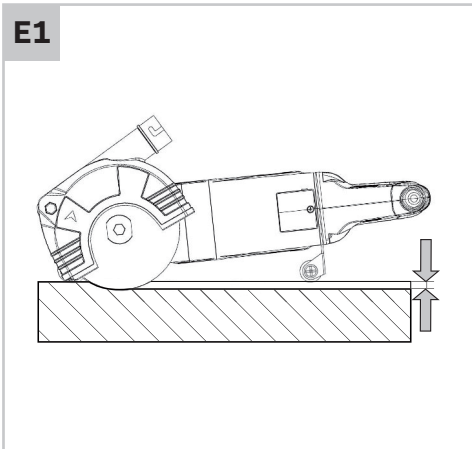
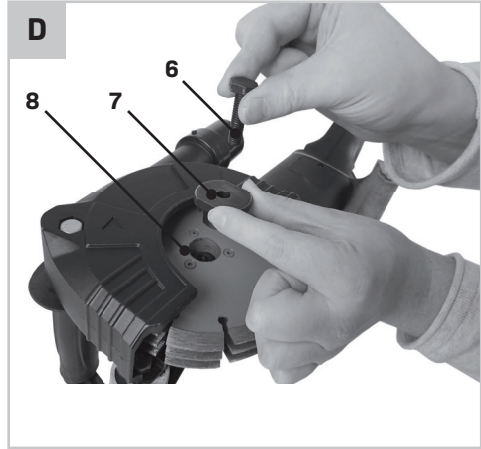
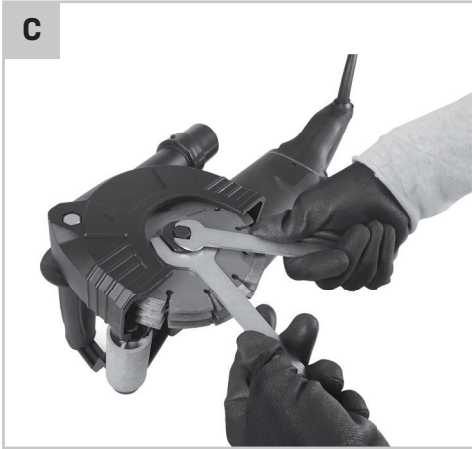
BUILD YOUR FUTURE

## WALL CHASER WC503AC



<b>EN</b>	Original Instructions	04
<b>DE</b>	Übersetzung Der Originalbetriebsanleitung	11
<b>NL</b>	Vertaling van de oorspronkelijke gebruiksaanwijzing	19
<b>FR</b>	Traduction de la notice originale	28
<b>ES</b>	Traducción del manual original	36
<b>IT</b>	Traduzione delle istruzioni originali	44
<b>SV</b>	Översättning av bruksanvisning i original	52
<b>DA</b>	Oversættelse af den originale brugsanvisning	59
<b>PL</b>	Tłumaczenie instrukcji oryginalnej	67
<b>RO</b>	Traducere a instrucțiunilor originale	75





## 1. SAFETY INSTRUCTIONS

Read the enclosed safety warnings, the additional safety warnings and the instructions. Failure to follow the safety warnings and the instructions may result in electric shock, fire and/or serious injury. Save the safety warnings and the instructions for future reference.

The following symbols are used in the user manual or on the product:



*Read the user manual.*



*Denotes risk of personal injury, loss of life or damage to the tool in case of nonobservance of the instructions in this manual.*



*Risk of electric shock.*



*Immediately remove the mains plug from the mains if the mains cable becomes damaged and during cleaning and maintenance.*



*Risk of flying objects. Keep bystanders away from the work area.*



*Always wear eye protection!*



*Wear hearing protection.*



*Wear a dust mask.*



*Wear safety gloves.*



*Do not use in rain.*



*Class II machine - Double insulation - You don't need any earthed plug.*



*Do not dispose of the product in unsuitable containers.*



*The product is in accordance with the applicable safety standards in the European directives.*

### GENERAL POWER TOOL SAFETY WARNINGS



**WARNING! Read all safety warnings and all instructions.** Failure to follow the warnings and instructions may result in electric shock, fire and/or serious injury.

#### Save all warnings and instructions for future reference.

The term "power tool" in the warnings refers to your mains-operated (corded) power tool or battery-operated (cordless) power tool.

#### 1) Work area safety

- a) **Keep the work area clean and well lit.** Cluttered or dark areas invite accidents.
- b) **Do not operate power tools in explosive atmospheres, such as in the presence of flammable liquids, gases or dust.** Power tools create sparks which may ignite the dust or fumes.
- c) **Keep children and bystanders away while operating a power tool.** Distractions can cause you to lose control.

#### 2) Electrical safety

- a) **Power tool plugs must match the outlet. Never modify the plug in any way. Do not use any adapter plugs with earthed (grounded) power tools.** Unmodified plugs and matching outlets will reduce risk of electric shock.
- b) **Avoid body contact with earthed or grounded surfaces, such as pipes, radiators, ranges and refrigerators.** There is an increased risk of electric shock if your body is earthed or grounded.
- c) **Do not expose power tools to rain or wet conditions.** Water entering a power tool will increase the risk of electric shock.
- d) **Do not abuse the cord. Never use the cord for carrying, pulling or unplugging the power tool. Keep cord away from heat, oil, sharp edges or moving parts.** Damaged or entangled cords increase the risk of electric shock.
- e) **When operating a power tool outdoors, use an extension cord suitable for outdoor use.** Use of a cord suitable for outdoor use reduces the risk of electric shock.
- f) **If operating a power tool in a damp location is unavoidable, use a residual current device (RCD) protected supply.** Use of an RCD reduces the risk of electric shock.

### 3) Personal safety

- a) **Stay alert, watch what you are doing and use common sense when operating a power tool. Do not use a power tool while you are tired or under the influence of drugs, alcohol or medication.**

A moment of inattention while operating power tools may result in serious personal injury.

- b) **Use personal protective equipment. Always wear eye protection.** Protective equipment such as dust mask, non-skid safety shoes, hard hat, or hearing protection used for appropriate conditions will reduce personal injuries.
- c) **Prevent unintentional starting. Ensure the switch is in the off-position before connecting to power source and/or battery pack, picking up or carrying the tool.** Carrying power tools with your finger on the switch or energising power tools that have the switch on invites accidents.
- d) **Remove any adjusting key or wrench before turning the power tool on.** A wrench or a key left attached to a rotating part of the power tool may result in personal injury.
- e) **Do not overreach. Keep proper footing and balance at all times.** This enables better control of the power tool in unexpected situations.
- f) **Dress properly. Do not wear loose clothing or jewellery. Keep your hair, clothing and gloves away from moving parts.** Loose clothes, jewellery or long hair can be caught in moving parts.
- g) **If devices are provided for the connection of dust extraction and collection facilities, ensure these are connected and properly used.** Use of dust collection can reduce dust related hazards.
- h) **Do not let familiarity gained from frequent use of tools allow you to become complacent and ignore tool safety principles.** A careless action can cause severe injury within a fraction of a second.

### 4) Power tool use and care

- a) **Do not force the power tool. Use the correct power tool for your application.** The correct power tool will do the job better and safer at the rate for which it was designed.
- b) **Do not use the power tool if the switch does not turn it on and off.** Any power tool that cannot be controlled with the switch is dangerous and must be repaired.
- c) **Disconnect the plug from the power source and/or the battery pack from the power tool before making any adjustments, changing accessories, or storing power tools.** Such preventive safety

measures reduce the risk of starting the power tool accidentally.

- d) **Store idle power tools out of the reach of children and do not allow persons unfamiliar with the power tool or these instructions to operate the power tool.** Power tools are dangerous in the hands of untrained users.
- e) **Maintain power tools. Check for misalignment or binding of moving parts, breakage of parts and any other condition that may affect the power tool's operation. If damaged, have the power tool repaired before use.** Many accidents are caused by poorly maintained power tools.
- f) **Keep cutting tools sharp and clean.** Properly maintained cutting tools with sharp cutting edges are less likely to bind and are easier to control.
- g) **Use the power tool, accessories and tool bits etc. in accordance with these instructions, taking into account the working conditions and the work to be performed.** Use of the power tool for operations different from those intended could result in a hazardous situation.
- h) **Keep handles and grasping surfaces dry, clean and free from oil and grease.** Slippery handles and grasping surfaces do not allow for safe handling and control of the tool in unexpected situations.

### 5) Service

- a) **Have your power tool serviced by a qualified repair person using only identical replacement parts.** This will ensure that the safety of the power tool is maintained.

### SAFETY WARNINGS COMMON FOR GRINDING OR ABRASIVE CUTTING-OFF OPERATIONS:

- a) **The guard provided with the tool must be securely attached to the power tool and positioned for maximum safety, so the least amount of wheel is exposed towards the operator. Position yourself and bystanders away from the plane of the rotating wheel. The guard helps to protect operator from broken wheel fragments and accidental contact with wheel.**
- b) **Use only diamond cut-off wheels for your power tool. Just because an accessory can be attached to your power tool, it does not assure safe operation.**
- c) **The rated speed of the accessory must be at least equal to the maximum speed marked on the power tool. Accessories running faster than their rated speed can break and fly apart.**

- d) **Wheels must be used only for recommended applications. For example: do not grind with the side of cut-off wheel.** *Abrasive cut-off wheels are intended for peripheral grinding, side forces applied to these wheels may cause them to shatter.*
- e) **Always use undamaged wheel flanges that are of correct diameter for your selected wheel.** *Proper wheel flanges support the wheel thus reducing the possibility of wheel breakage.*
- f) **The outside diameter and the thickness of your accessory must be within the capacity rating of your power tool.** *Incorrectly sized accessories cannot be adequately guarded or controlled.*
- g) **Threaded mounting of accessories must match the grinder spindle thread. For accessories mounted by flanges, the arbour hole of the accessory must fit the locating diameter of the flange.** *Accessories that do not match the mounting hardware of the power tool will run out of balance, vibrate excessively and may cause loss of control.*
- h) **Do not use a damaged accessory. Before each use inspect the accessory such as abrasive wheels for chips and cracks, backing pad for cracks, tear or excess wear, wire brush for loose or cracked wires. If power tool or accessory is dropped, inspect for damage or install an undamaged accessory. After inspecting and installing an accessory, position yourself and bystanders away from the plane of the rotating accessory and run the power tool at maximum no-load speed for one minute.** *Damaged accessories will normally break apart during this test time.*
- i) **Wear personal protective equipment. Depending on application, use face shield, safety goggles or safety glasses. As appropriate, wear dust mask, hearing protectors, gloves and workshop apron capable of stopping small abrasive or workpiece fragments.** *The eye protection must be capable of stopping flying debris generated by various operations. The dust mask or respirator must be capable of filtering particles generated by your operation. Prolonged exposure to high intensity noise may cause hearing loss.*
- j) **Keep bystanders a safe distance away from work area. Anyone entering the work area must wear personal protective equipment.** *Fragments of workpiece or of a broken accessory may fly away and cause injury beyond immediate area of operation.*
- k) **Hold the power tool by insulated gripping surfaces only, when performing an operation where the cutting accessory may contact hidden wiring or its own cord.** *Cutting accessory contacting a "live" wire may make exposed metal parts of the power tool "live" and could give the operator an electric shock.*
- l) **Position the cord clear of the spinning accessory.** *If you lose control, the cord may be cut or snagged and your hand or arm may be pulled into the spinning accessory.*
- m) **Never lay the power tool down until the accessory has come to a complete stop.** *The spinning accessory may grab the surface and pull the power tool out of your control.*
- n) **Do not run the power tool while carrying it at your side.** *Accidental contact with the spinning accessory could snag your clothing, pulling the accessory into your body.*
- o) **Regularly clean the power tool's air vents.** *The motor's fan will draw the dust inside the housing and excessive accumulation of powdered metal may cause electrical hazards.*
- p) **Do not operate the power tool near flammable materials.** *Sparks could ignite these materials.*
- q) **Do not use accessories that require liquid coolants.** *Using water or other liquid coolants may result in electrocution or shock.*

#### Kickback and Related Warnings

Kickback is a sudden reaction to a pinched or snagged rotating wheel, backing pad, brush or any other accessory. Pinching or snagging causes rapid stalling of the rotating accessory which in turn causes the uncontrolled power tool to be forced in the direction opposite of the accessory's rotation at the point of the binding.

For example, if an abrasive wheel is snagged or pinched by the workpiece, the edge of the wheel that is entering into the pinch point can dig into the surface of the material causing the wheel to climb out or kick out. The wheel may either jump toward or away from the operator, depending on direction of the wheel's movement at the point of pinching. Abrasive wheels may also break under these conditions. Kickback is the result of power tool misuse and/or incorrect operating procedures or conditions and can be avoided by taking proper precautions as given below.

- a) **Maintain a firm grip on the power tool and position your body and arm to allow you to resist kickback forces.** Always use auxiliary handle, if provided, for maximum control over kickback or torque reaction during start-up. *The operator can control torque reactions or kickback forces, if proper precautions are taken.*
- b) **Never place your hand near the rotating accessory.** *Accessory may kickback over your hand.*
- c) **Do not position your body in the area where power tool will move if kickback occurs.** *Kickback will propel the tool in direction opposite to the wheel's movement at the point of snagging.*
- d) **Use special care when working corners, sharp edges etc. Avoid bouncing and snagging the accessory.** *Corners, sharp edges or bouncing have a tendency to snag the rotating accessory and cause loss of control or kickback.*
- e) **Do not attach a saw chain woodcarving blade or toothed saw blade.** *Such blades create frequent kickback and loss of control.*
- f) **Do not "jam" the wheel or apply excessive pressure. Do not attempt to make an excessive depth of cut.** *Overstressing the wheel increases the loading and susceptibility to twisting or binding of the wheel in the cut and the possibility of kickback or wheel breakage.*
- g) **When wheel is binding or when interrupting a cut for any reason, switch off the power tool and hold the power tool motionless until the wheel comes to a complete stop. Never attempt to remove the wheel from the cut while the wheel is in motion otherwise kickback may occur.** *Investigate and take corrective action to eliminate the cause of wheel binding.*
- h) **Do not restart the cutting operation in the workpiece. Let the wheel reach full speed and carefully re-enter the cut.** *The wheel may bind, walk up or kickback if the power tool is restarted in the workpiece.*
- i) **Support panels or any oversized workpiece to minimize the risk of wheel pinching and kickback. Large workpieces tend to sag under their own weight.** *Supports must be placed under the workpiece near the line of cut and near the edge of the workpiece on both sides of the wheel.*
- j) **Use extra caution when making a "pocket cut" into existing walls or other blind areas.** *The protruding wheel may cut gas or water pipes, electrical wiring or objects that can cause kick-*

*back.*

#### ADDITIONAL SAFETY WARNINGS

- **People below the age of 16 may not use the machine.**
- **The user or operator must be familiar with the content of this instruction manual.**
- **Before chasing in load-bearing walls, consult with the responsible structural engineer, architect or site supervisor.**
- **Use the power tool only when included guard is installed. Guard must be securely fitted to power tool and adjusted to guarantee the best possible safety level, which means that cutting disc part facing operator must be shielded as much as possible.** *The guard must protect the operator against splinters and accidental contact with cutting disc.*
- **Use only diamond cutting discs.** *Possibility of equipment installation in the power tool alone does not guarantee safe use.*
- **Use diamond cutting discs only for tasks they are designed for. For example, never grind with side surface of a cutting disc.** *Cutting discs are designed to remove material with disc edge. Applying side force may break disc of this type.*
- **Always use undamaged fixing flanges with size matching to cutting disc.** *Proper flanges support cutting disc and reduce risk of breaking.*
- **Secure the work area, also behind openings and cut-outs.** *Unsecured work areas can endanger you and other people.*
- **Watch out for open and concealed electricity cables, as well as water and gas pipes. Use suitable detectors to find concealed utility pipes and/or cables, or contact a local utility company for advice.** *Contact with electricity cables can cause fires and an electric shock. Damage to a gas pipe can cause an explosion. Penetrating a water pipe causes damage to property or could cause an electric shock.*
- **Whenever power tool can hit hidden electric wires or its own power cord during operation, hold it only by insulated handle.** *When in contact with live wires all metal parts of the power tool are live too, this may cause electric shock of the operator.*
- **Avoid causing situations where other people can stumble or trip.** *Tripping over cables can cause serious injuries.*
- **Secure the workpiece.** *A workpiece securely held in clamping devices or a vice is more safely held than in the hand.*

- **Avoid dust accumulation in the workplace.**  
*Dusts can easily ignite.*
- **Ensure adequate ventilation in closed rooms.**  
*Risk due to dust and impaired vision.*
- **Dust from materials such as coatings containing lead, several types of wood, minerals and metals can be harmful to health and cause allergic reactions, respiratory diseases and/or cancer. Asbestos-containing material may only be machined by specialists.**
  - *Wherever possible, use a industrial type vacuum cleaner suitable for the material you are working on.*
  - *Ensure the workplace is properly ventilated.*
  - *Observe the relevant regulations in your country for the materials to be machined.*
- **Keep power cord away from rotating working tools.** *Loss of control over the power tool can lead to cutting or catching the power cord, also hand or whole arm can get into rotating work tool.*
- **Do not carry power tool when it is rotating.**  
*Accidental contact of rotating working tool with clothes may cause its catching and plunging of working tool into operator's body.*
- **Do not start working before the power tool reaches its full rotary speed.**
- **Do not expose diamond dry-cutting discs to lateral pressure.**
- **Never use diamond dry-cutting discs for rough grinding.**

### Electrical safety

When using electric machines always observe the safety regulations applicable in your country to reduce the risk of fire, electric shock and personal injury. Read the following safety instructions and also the enclosed safety instructions.



*Always check that the voltage of the power supply corresponds to the voltage on the rating plate label.*



*Class II machine - Double insulation - You don't need any earthed plug.*

If operating a power tool in a damp location is unavoidable, use a residual current device (RCD) protected supply. Use of an RCD reduces the risk of electric shock.

## 2. MACHINE INFORMATION

### Intended use

This power tool is designed for dry cutting in masonry (brick, lime-sand blocks, undressed stone) and concrete. It must not be used for wet cutting or for cuts in metal, glass, wood, etc.

### TECHNICAL SPECIFICATIONS

Model no.	WC503AC
Model no. cutting disc	WC802AA
Mains voltage	230 V~
Mains frequency	50 Hz
Power input	2400W
No-load speed	8000 /min
Disc diameter	150mm
Disc bore	22,2mm
Max. cutting depth	43mm
Cutting width	30mm
Weight	6,2 kg
Sound pressure (LPA)	97 + 3 dB(A)
Acoustic power (LWA)	108 + 3 dB(A)
Vibration ah	10,94 + 1,5 m/s <sup>2</sup>

### Vibration level

The vibration emission level stated in this instruction manual has been measured in accordance with a standardised test given in EN 60745; it may be used to compare one tool with another and as a preliminary assessment of exposure to vibration when using the tool for the applications mentioned

- using the tool for different applications, or with different or poorly maintained accessories, may significantly increase the exposure level
- the times when the tool is switched off or when it is running but not actually doing the job, may significantly reduce the exposure level

Protect yourself against the effects of vibration by maintaining the tool and its accessories, keeping your hands warm, and organizing your work patterns.

If the **supply cord** of this power tool is damaged, it must be replaced by a specially prepared **supply**



**cord** available through the service organization.

## DESCRIPTION

The numbers in the text refer to the diagrams on pages 2-3.

1. On/off switch
2. Lock-off switch
3. Rear handle
4. Rear roller
5. Carbon brush cover
6. Blade bolt
7. Outer flange
8. Diamond disc
9. Front roller
10. Front handle
11. Depth adjustment lever
12. Dust extraction port
13. Depth adjustment scale
14. Vacuum hose

## 3. ASSEMBLY



*Before assembly, always switch off the machine and remove the mains plug from the mains.*

### Mounting and replacing the disc (Fig. A, C, D)



*A broken or damaged disc must be replaced immediately.*



*Use only discs whose allowable rotary speed is higher or equal to maximum no-load speed of the machine.*

The wall chaser is designed to work with special 3-in-1 discs. Only use discs approved by the manufacturer.

1. Hold the outer flange (7) using the supplied large spanner.
2. Remove the bolt (6) using the supplied small spanner.  
**Note:** the bolt has a left hand thread.
3. Remove the outer flange (7).
4. Mount the disc (8) onto the spindle. Ensure the arrow on the housing correspond with the arrow on the disc (8).  
**Note:** the spindle does not protrude the hole of the disc (8).
5. Put the outer flange (7) into the hole of the disc. Rotate the outer flange (7) while pres-

- ing it, until it is fully tightened.
6. Tighten the bolt (6).
7. Use the large spanner to hold the outer flange (7). Now tighten the bolt (6), using the small spanner.

To remove the disc, follow the installation procedure in reverse sequence.

### Dust extraction (Fig. A, F)



*Provide good ventilation at the workplace.*



*Wear dust protection.*

The dust from certain materials such as such as particulate matter can be harmful to your health. Breathing in this dust can cause allergic reactions and/or cause respiratory illnesses for the user or people in the near vicinity. Therefore a dust extraction system that is suitable for the material must be used. To do so:



*The dust extractor must be suitable for the material being worked.*



*When vacuuming dry dust that is especially detrimental to health or carcinogenic, use a special dust extractor.*

A vacuum cleaner hose (14) can be connected to the dust extraction port (12). When starting to work, first switch on the dust extraction system, e.g. industrial vacuum cleaner, next switch on the wall chaser. When the work is finished proceed inversely – switch off the wall chaser first, next the vacuum cleaner.



*Avoid dust accumulation at the workplace. Dust can easily ignite.*

The dust extraction system can be blocked by dust, chips or fragments of the workpiece. Thus, it must be cleaned regularly. To do so:

1. Disconnect the mains plug from the power supply.
2. Wait until the disc (8) has come to a complete stop.
3. Remove any blockage if necessary.

## 4. OPERATION

### Adjusting the cutting depth (Fig. B, E)



Set the chase depth before starting to work and with the device switched off.

1. Loosen the lever (11) by moving it backwards.
2. Adjust to the required cutting depth, as shown on figure E. The depth can be read on the scale (13).
3. Tighten the lever (11) by moving it forwards.

### Switching on and off (Fig. A)

- To switch on the machine, keep the lock-off button (2) pressed and simultaneously press the on/off switch (1).
- To switch off the machine, release the on/off switch (1).

### Making a cut (Fig. A, G)



The wall chaser is designed only for straight cuts. Making curved or round cuts is not allowed.



The tool is designed for dry cuts only.



Always hold the tool with two hands on the insulated handles.

1. Draw lines to define the direction in which to guide the discs.
2. Mount a vacuum cleaner to the dust outlet.
3. Set the cutting depth.
4. Position the rear roller (4) on the wall surface. Note that the disc should not yet touch the wall surface.
5. Switch the wall chaser on and wait until the discs reach full rotational speed.
6. Gradually lower the wall chaser, plunging the discs into the wall surface.
7. As soon as the front roller (9) rests on the wall surface, continue with the cut and move the wall chaser forward and away from you (in direction opposite to rotation of cutting disc).
8. Slowly move the machine along the pre-drawn lines, firmly pressing the wheels against the wall.
 

**Note:** Do not apply too much pressure on the machine. Let the machine do the work. Applying excessive pressure may cause motor overheating and damage of the cutting disc.
9. To end the cut, switch off the machine and wait until the discs have stopped completely. After-

wards remove the discs from the chase and put down the machine.



After switching the wall chaser off, do not force the braking of the rotating disc by pressing it against processed material.



Cutting discs heat up to high temperatures during operation – do not touch them with unprotected parts of your body before they cool down.

**Note:** When cutting very hard materials, cutting disc may be overheated and become damaged in consequence. Excessive sparks around the cutting disc indicate overheating. When it appears, stop cutting and cool down the disc by running it with full rotational speed with no load for 3–5 minutes. A decrease of cutting efficiency and constant excessive sparks around the cutting disc may indicate a blunt cutting disc.

## 5. MAINTENANCE



Before cleaning and maintenance, always switch off the machine and remove the mains plug from the mains.

Clean the machine casings regularly with a soft cloth, preferably after each use. Make sure that the ventilation openings are free of dust and dirt. Remove very persistent dirt using a soft cloth moistened with soapsuds. Do not use any solvents such as gasoline, alcohol, ammonia, etc. Chemicals such as these will damage the synthetic components.

## ENVIRONMENT



Faulty and/or discarded electrical or electronic apparatus have to be collected at the appropriate recycling locations.

### Only for EC countries

Do not dispose of power tools into domestic waste. According to the European Guideline 2012/19/EU for Waste Electrical and Electronic Equipment and its implementation into national right, power tools that are no longer usable must be collected separately and disposed of in an environmentally friendly way.

## WARRANTY

VONROC products are developed to the highest quality standards and are guaranteed free of defects in both materials and workmanship for the period lawfully stipulated starting from the date of original purchase. Should the product develop any failure during this period due to defective material and/or workmanship then contact VONROC directly.

The following circumstances are excluded from this guarantee:

- Repairs and or alterations have been made or attempted to the machine by unauthorized service centers;
- Normal wear and tear;
- The tool has been abused, misused or improperly maintained;
- Non-original spare parts have been used.

This constitutes the sole warranty made by company either expressed or implied. There are no other warranties expressed or implied which extend beyond the face hereof, herein, including the implied warranties of merchantability and fitness for a particular purpose. In no event shall VONROC be liable for any incidental or consequential damages. The dealers remedies shall be limited to repair or replacement of nonconforming units or parts.

**The product and the user manual are subject to change. Specifications can be changed without further notice.**

## 1. SICHERHEITSAUWEISUNGEN

Lesen Sie die beiliegenden Sicherheitsanweisungen, die zusätzlichen Sicherheitsanweisungen sowie diese Bedienungsanleitung sorgfältig durch. Bei Nichtbeachten der Sicherheitsanweisungen und der Bedienungsanleitung kann es zu einem Stromschlag, einem Brand und/oder schweren Verletzungen kommen. Bewahren Sie die Sicherheitsanweisungen und die Bedienungsanleitung zur künftigen Bezugnahme sicher auf.

Folgende Symbole werden im Benutzerhandbuch oder auf dem Produkt verwendet:



*Benutzerhandbuch/Bedienungsanleitung lesen.*



*Lebens- und Verletzungsgefahr und Gefahr von Beschädigungen am Werkzeug/Gerät bei Nichteinhaltung der Anweisungen in dieser Bedienungsanleitung.*



*Gefahr eines Stromschlags.*



*Ziehen Sie sofort den Netzstecker aus der Steckdose, falls das Netzkabel beschädigt wird, sowie bei der Reinigung und Wartung.*



*Gefahr von herumfliegenden Gegenständen. Unbeteiligte vom Arbeitsbereich fernhalten.*



*Immer Augenschutz tragen!*



*Gehörschutz tragen.*



*Tragen Sie eine Staubmaske.*



*Schutzhandschuhe tragen.*



*Nicht im Regen benutzen.*



*Werkzeug/Gerät der Schutzklasse II - schutzisoliert - kein Schutzkontakt anschluss erforderlich.*



*Produkt vorschriftsmäßig entsorgen, nicht über den Hausmüll*

**CE** Das Produkt entspricht den geltenden Sicherheitsnormen der europäischen Richtlinien.

### ALLGEMEINE SICHERHEITSHINWEISE



**ACHTUNG! Lesen Sie alle Sicherheitshinweise und Anweisungen.** Fehler bei der Einhaltung der nachstehend aufgeführten Anweisungen können elektrischen Schlag, Brand und/oder schwere Verletzungen verursachen.

#### Bewahren Sie diese Anweisungen gut auf.

Der nachfolgend verwendete Begriff „Elektrowerkzeug“ bezieht sich auf netzbetriebene Elektrowerkzeuge (mit Netzkabel) und auf akkubetriebene Elektrowerkzeuge (ohne Netzkabel).

#### 1) Arbeitsplatz

- a) **Halten Sie Ihren Arbeitsbereich sauber und aufgeräumt.** Unordnung und unbeleuchtete Arbeitsbereiche können zu Unfällen führen.
- b) **Arbeiten Sie mit dem Gerät nicht in explosionsgefährdeter Umgebung, in der sich brennbare Flüssigkeiten, Gase oder Staub befinden.** Elektrowerkzeuge erzeugen Funken, die den Staub oder die Dämpfe entzünden können.
- c) **Halten Sie Kinder und andere Personen während der Benutzung des Elektrowerkzeugs fern.** Bei Ablenkung können Sie die Kontrolle über das Gerät verlieren.

#### 2) Elektrische Sicherheit

- a) **Der Anschlussstecker des Gerätes muss in die Steckdose passen. Der Netzstecker darf in keener Weise verändert werden. Verwenden Sie keine Adapterstecker gemeinsam mit geschützten Geräten.** Unveränderte Netzstecker und passende Steckdosen verringern das Risiko eines elektrischen Schlages.
- b) **Vermeiden Sie Körperkontakt mit geerdeten Oberflächen, wie von Rohren, Heizungen, Herden und Kühlschränken.** Es besteht ein erhöhtes Risiko durch elektrischen Schlag, wenn Ihr Körper geerdet ist.
- c) **Halten Sie das Gerät von Regen oder Nässe fern.** Das Eindringen von Wasser in ein Elektrogerät erhöht das Risiko eines elektrischen Schlages.
- d) **Zweckentfremden Sie das Netzkabel nicht, um das Gerät zu tragen, aufzuhängen oder um den Netzstecker aus der Steckdose zu ziehen. Halten Sie das Netzkabel fern von Hitze, Öl,**

**scharfen Kanten oder sich bewegenden Geräteteilen.** Beschädigte oder verwickelte Netzkabel erhöhen das Risiko eines elektrischen Schlages.

- e) **Wenn Sie mit einem Elektrowerkzeug im Freien arbeiten, verwenden Sie nur Verlängerungskabel, die auch für den Außenbereich zugelassen sind.** Die Anwendung eines für den Außenbereich geeigneten Verlängerungskabels verringert das Risiko eines elektrischen Schlages
- f) **Wenn sich Arbeiten mit einem Elektrowerkzeug in feuchten Umgebungen nicht vermeiden lassen, verwenden Sie eine Stromversorgung mit einer Fehlerstrom-Schutzeinrichtung (RCD).** Durch die Verwendung einer RCD wird die Gefahr eines elektrischen Schlags verringert.

#### 3) Sicherheit von Personen

- a) **Seien Sie aufmerksam. Achten Sie darauf, was Sie tun, und gehen Sie mit Vernunft an die Arbeit mit einem Elektrowerkzeug. Benutzen Sie das Gerät nicht, wenn Sie müde sind oder unter dem Einfluss von Drogen, Alkohol oder Medikamenten stehen.** Ein Moment der Unachtsamkeit beim Gebrauch des Gerätes kann zu ernsthaften Verletzungen führen.
- b) **Tragen Sie persönliche Schutzausrüstung und immer eine Schutzbrille.** Das Tragen persönlicher Schutzausrüstung, wie Staubmaske, rutschfeste Sicherheitsschuhe, Schutzhelm oder Gehörschutz, je nach Art und Einsatz des Elektrowerkzeuges, verringert das Risiko von Verletzungen.
- c) **Vermeiden Sie eine unbeabsichtigte Inbetriebnahme. Vergewissern Sie sich, dass der Schalter in der Position „AUS(0)“ ist, bevor Sie den Netzstecker in die Steckdose stecken.** Wenn Sie beim Tragen des Gerätes den Finger am Schalter haben oder das Gerät eingeschaltet an die Stromversorgung anschließen, kann dies zu Unfällen führen,
- d) **Entfernen Sie Einstellwerkzeuge oder Schraubenschlüssel, bevor Sie das Gerät einschalten.** Ein Werkzeug oder Schlüssel, der sich in einem drehenden Geräteteil befindet, kann zu Verletzungen führen.
- e) **Überschätzen Sie sich nicht. Sorgen Sie für einen sicheren Stand und halten Sie jederzeit das Gleichgewicht.** Dadurch können Sie das Gerät in unerwarteten Situationen besser kontrollieren.
- f) **Tragen Sie geeignete Kleidung. Tragen Sie keine weite Kleidung oder Schmuck. Halten Sie Haare, Kleidung und Handschuhe fern von sich bewegenden Teilen.** Lockere Kleidung,

Schmuck oder lange Haare können von sich bewegenden Teilen erfasst werden.

- g) **Wenn Staubabsaug- und -auffangeinrichtungen montiert werden können, vergewissern Sie sich, dass diese angeschlossen sind und richtig verwendet werden.** Das Verwenden dieser Einrichtungen verringert Gefährdungen durch Staub.
  - h) **Achten Sie darauf, nicht durch häufigen Gebrauch von Werkzeugen nachlässig zu werden und die Prinzipien zum sicheren Umgang mit den Werkzeugen zu ignorieren.** Eine unachtsame Handlung kann innerhalb von Sekundenbruchteilen schwere Verletzungen verursachen.
- 4) Sorgfältiger Umgang und Gebrauch von Elektrowerkzeugen**
- a) **Überlasten Sie das Gerät nicht. Verwenden Sie für Ihre Arbeit das dafür bestimmte Elektrowerkzeug.** *Mit dem passenden Elektrowerkzeug arbeiten Sie besser und sicherer im angegebenen Leistungsbereich.*
  - b) **Benutzen Sie kein Elektrowerkzeug, dessen Schalter defekt ist.** *Ein Elektrowerkzeug, das sich nicht mehr ein- oder ausschalten lässt, ist gefährlich und muss repariert werden.*
  - c) **Ziehen Sie den Netzstecker aus der Steckdose, bevor Sie Geräteeinstellungen vornehmen, Zubehörteile wechseln oder das Gerät weglegen.** *Diese Vorsichtsmaßnahme verhindert den unbeabsichtigten Start des Geräts.*
  - d) **Bewahren Sie unbenutzte Elektrowerkzeuge außerhalb der Reichweite von Kindern auf. Lassen Sie Personen das Gerät nicht benutzen, die mit diesem nicht vertraut sind oder diese Anweisungen nicht gelesen haben.** *Elektrowerkzeuge sind gefährlich, wenn Sie von unerfahrenen Personen benutzt werden.*
  - e) **Pflegen Sie das Gerät mit Sorgfalt. Kontrollieren Sie, ob bewegliche Geräteteile einwandfrei funktionieren und nicht klemmen, ob Teile gebrochen oder so beschädigt sind, dass die Funktion des Gerätes beeinträchtigt ist. Lassen Sie beschädigte Teile vor dem Einsatz des Gerätes reparieren.** *Viele Unfälle haben ihre Ursache in schlecht gewarteten Elektrowerkzeugen.*
  - f) **Halten Sie Schneidwerkzeuge scharf und sauber.** *Sorgfältig gepflegte Schneidwerkzeuge mit scharfen Schneidkanten verklemmen sich weniger und sind leichter zu führen.*
  - g) **Verwenden Sie Elektrowerkzeug, Zubehör, Einsatzwerkzeuge usw. entsprechend diesen**

**Anweisungen und so, wie es für diesen speziellen Gerätetyp vorgeschrieben ist. Berücksichtigen Sie dabei die Arbeitsbedingungen und die auszuführende Tätigkeit.** *Der Gebrauch von Elektrowerkzeugen für andere als die vorgesehenen Anwendungen kann zu gefährlichen Situationen führen.*

- h) **Halten Sie Griffe und Greifflächen immer trocken, sauber und frei von Öl und Fett.** *Rutschige Griffe und Greifflächen verhindern in unerwarteten Situationen den sicheren Umgang mit dem Werkzeug und die richtige Kontrolle darüber.*

#### 5) Service

- a) **Lassen Sie Ihre Werkzeuge durch einen qualifizierten Reparaturtechniker ausschließlich mit identischen Ersatzteilen warten.** So lässt sich eine gleich bleibende Sicherheit des Elektrowerkzeugs gewährleisten.

#### GEMEINSAME SICHERHEITSHINWEISE FÜR DAS SCHLEIFEN UND ABRASIVE TRENNEN:

- a) **Die mit dem Werkzeug gelieferte Schutzvorrichtung muss sicher an dem Elektrowerkzeug angebracht und korrekt ausgerichtet werden, um maximalen Schutz zu bieten. Dabei darf nur ein möglichst kleiner Teil der Trennscheibe in Richtung Bediener freiliegen. Achten Sie darauf, dass Sie und andere Personen nicht im Bereich der rotierenden Trennscheibe stehen.** *Die Schutzvorrichtung hilft dabei, den Bediener vor abgebrochenen Fragmenten der Trennscheibe sowie vor dem zufälligen Kontakt mit ihr zu schützen.*
- b) **Nur Diamanttrennscheiben für dieses Elektrowerkzeug verwenden.** *Die Tatsache, dass ein Zubehörteil an dem Elektrowerkzeug angebracht werden kann, gewährleistet noch keinen sicheren Betrieb.*
- c) **Die Nenndrehzahl von Zubehörteilen muss mindestens so groß sein wie die auf dem Elektrowerkzeug angegebene maximale Drehzahl.** *Zubehörteile, die schneller als ihre Nenndrehzahl betrieben werden, können zerbrechen und auseinanderfliegen.*
- d) **Trennscheiben dürfen nur für die empfohlenen Anwendungen verwendet werden. Zum Beispiel: Schleifen Sie nicht mit der Seite einer Trennscheibe.** *Scheiben zum Trennschleifen sind zum Umfangsschleifen vorgesehen, wenn auf sie Seitenkräfte angewandt werden, können sie zerbrechen.*

- e) **Verwenden Sie für die vorgesehene Trennscheibe nur unbeschädigte Flansche mit dem richtigen Durchmesser.** *Die richtigen Trennscheibenflansche stützen die Trennscheibe und reduzieren so die Möglichkeit, dass sie durchbrechen.*
- f) **Achten Sie darauf, dass die Trennscheibe nicht stecken bleibt und keinem übermäßigen Druck ausgesetzt wird. Versuchen Sie nicht, extrem tiefe Schnitte durchzuführen.** *Die Überbeanspruchung der Trennscheibe erhöht ihre Belastung und die Wahrscheinlichkeit, dass sie im Schnitt stecken bleibt, wodurch es zu einem Rückschlag oder Bruch der Trennscheibe kommen kann.*
- g) **Wenn die Trennscheibe stecken bleibt oder wenn ein Schnitt aus einem anderen Grund unterbrochen wird, schalten Sie das Werkzeug aus und halten es ruhig, bis die Trennscheibe zum Stillstand gekommen ist. Versuchen Sie nie, die Trennscheibe aus dem Schnitt zu ziehen, solange die Trennscheibe sich bewegt, sonst kann ein Rückschlag erfolgen.** *Ermitteln und beheben Sie die Ursache für das Verkleben der Trennscheibe.*
- h) **Starten Sie den Schneidvorgang nicht neu, während sich die Scheibe noch im Werkstück befindet. Lassen Sie die Trennscheibe ihre volle Geschwindigkeit erreichen und setzen Sie sie vorsichtig wieder in den Schnitt ein.** *Die Scheibe kann stecken bleiben, sich nach oben bewegen oder zu einem Rückschlag führen, wenn das Elektrowerkzeug im Werkstück neu gestartet wird.*
- i) **Stützen Sie Platten oder große Werkstücke ab, um das Risiko zu minimieren, dass die Scheibe eingeklemmt wird oder es zu einem Rückschlag kommt.** *Große Werkstücke können unter ihrem eigenen Gewicht durchhängen. Stützen müssen unter dem Werkstück in der Nähe der Schnittlinie und in der Nähe der Werkstückkante auf beiden Seiten der Trennscheibe platziert werden.*
- j) **Seien Sie besonders vorsichtig, wenn Sie einen „Taschen-Schnitt“ in bestehende Wände oder andere nicht einsehbare Bereiche durchführen.** *Die vorstehende Scheibe kann Gas-, Wasser- oder Stromleitungen durchtrennen oder andere Objekte berühren, die zu einem Rückschlag führen.*

### Warnungen in Verbindung mit Rückschlag

Ein Rückschlag ist eine plötzliche Reaktion darauf, wenn eine drehende Scheibe, ein Stützterler, eine Bürste oder ein anderes Zubehörteil eingeklemmt wird oder sich verheddert. Das Einklemmen oder Verheddern führt zu einem plötzlichen Anhalten des drehenden Zubehörs, was wiederum dazu führt, dass das Elektrowerkzeug sich unkontrolliert entgegen der Drehrichtung zum Zeitpunkt des Festklemmens bewegt. Wenn beispielsweise eine Schleifscheibe im Werkstück eingeklemmt wird oder sich verheddert, kann sich die Kante der Scheibe, die in die eingeklemmte Stelle eindringt, in die Oberfläche des Materials graben, wodurch die Schleifscheibe aus dem Schnitt „herausklettert“. Die Scheibe kann dann entweder auf den Bediener zu oder von diesem weg schnellen, je nach Drehrichtung der Scheibe zum Zeitpunkt des Festklemmens. Auch ein Brechen der Schleifscheibe ist unter diesen Umständen möglich. Ein Rückschlag ist das Ergebnis einer unsachgemäßen Bedienung des Elektrowerkzeugs und/oder von nicht ordnungsgemäßen Bedienungsabläufen oder -bedingungen und lässt sich durch Ergreifen der richtigen Vorsichtsmaßnahmen wie im Folgenden angegeben vermeiden.

- a) **Halten Sie das Elektrowerkzeug gut fest und halten Sie Ihren Körper und Arm so, dass Sie Rückschlagkräften widerstehen können. Verwenden Sie immer einen Zusatzhandgriff, falls vorhanden, um bei einem Rückschlag oder bei einem Gegendrehmoment während des Startens maximale Kontrolle über das Elektrowerkzeug zu behalten.** *Mit den richtigen Vorsichtsmaßnahmen kann der Bediener auch bei einem Rückschlag oder bei einem Gegendrehmoment während des Startens die Kontrolle über das Gerät behalten.*
- b) **Halten Sie unbedingt Ihre Hände von den drehenden Zubehörteilen fern.** *Gefahr eines Rückschlags über Ihre Hand.*
- c) **Halten Sie Ihren Körper aus dem Bereich fern, in den sich das Elektrowerkzeug bei einem Rückschlag bewegt.** *Bei einem Rückschlag wird das Elektrowerkzeug in die entgegengesetzte Richtung zur Scheibenbewegung zum Schleifzeitpunkt getrieben.*
- d) **Gehen Sie bei der Bearbeitung von Ecken, scharfen Kanten usw. mit besonderer Vorsicht vor. Vermeiden Sie Sprünge und das Einklemmen des Zubehörs.** *Bei Ecken, scharfen Kanten oder Sprüngen kann das drehende Zubehör*

leicht fest klemmen, was zu einem Verlust der Kontrolle oder einem Rückschlag führen kann.

- e) **Verwenden Sie keine Holzklingen für Sägeketten oder Sägeblätter.** Solche Klinsen führen zu häufigen Rückschlägen und Verlusten der Kontrolle über das Elektrowerkzeug.

### SPEZIELLE SICHERHEITSVORSCHRIFTEN

- **Personen unter 16 Jahren dürfen das Gerät nicht benutzen.**
- **Der Benutzer oder Bediener muss mit dem Inhalt dieser Bedienungsanleitung vertraut sein.**
- **Bevor Sie Nuten in tragende Wände fräsen, sollten Sie sich mit dem zuständigen Statiker, Architekten oder Bauleiter beraten.**
- **Verwenden Sie das Elektrowerkzeug nur, wenn die mitgelieferte Schutzvorrichtung angebracht ist. Die Schutzvorrichtung muss sicher am Elektrowerkzeug angebracht und so eingestellt werden, dass das bestmögliche Sicherheitsniveau gewährleistet ist. Das bedeutet, dass das dem Bediener zugewandte Trennscheibenteil so weit wie möglich abgeschirmt werden muss. Die Schutzvorrichtung muss den Bediener vor Splintern und versehentlichem Kontakt mit der Trennscheibe schützen.**
- **Verwenden Sie nur Diamanttrennscheiben. Die Möglichkeit des Geräteeinbaus in das Elektrowerkzeug allein garantiert noch keine sichere Nutzung.**
- **Verwenden Sie Diamanttrennscheiben nur für Aufgaben, für die sie vorgesehen sind. Schleifen Sie zum Beispiel niemals mit der Seitenfläche einer Trennscheibe. Trennscheiben sind so konstruiert, dass sie Material mit der Scheibenkante entfernen. Bei seitlicher Kraftanwendung kann eine solche Scheibe brechen.**
- **Verwenden Sie immer unbeschädigte Befestigungsflansche, deren Größe derjenigen der Trennscheibe entspricht. Passende Flansche unterstützen die Trennscheibe und verringern die Bruchgefahr.**
- **Sichern Sie den Arbeitsbereich, auch hinter Öffnungen und Ausschnitten. Ungesicherte Arbeitsbereiche können Sie und andere Personen gefährden.**
- **Achten Sie auf offene und verdeckte Stromkabel sowie auf Wasser- und Gasleitungen. Verwenden Sie geeignete Detektoren, um verdeckte Versorgungsleitungen und/oder -kabel zu finden, oder lassen Sie sich von einem**

**örtlichen Versorgungsunternehmen beraten. Der Kontakt mit Stromkabeln kann zu Brand und Stromschlag führen. Die Beschädigung einer Gasleitung kann eine Explosion verursachen. Das Eindringen in eine Wasserleitung verursacht Sachschäden oder könnte zu einem Stromschlag führen.**

- **Wann immer ein Elektrowerkzeug während des Betriebs auf verborgene elektrische Drähte oder das eigene Stromkabel treffen kann, darf es nur an einem isolierten Griff gehalten werden. Bei Kontakt mit stromführenden Drähten stehen auch alle Metallteile des Elektrowerkzeugs unter Spannung, dies kann zu einem Stromschlag für den Bediener führen.**
- **Vermeiden Sie es, Situationen zu verursachen, in denen andere Personen stolpern können. Das Stolpern über Kabel kann zu schweren Verletzungen führen.**
- **Sichern Sie das Werkstück. Ein in Spannvorrichtungen oder einem Schraubstock sicher gehaltenes Werkstück wird sicherer gehalten als mit der Hand.**
- **Staubansammlung am Arbeitsplatz vermeiden. Stäube können sich leicht entzünden.**
- **Sorgen Sie in geschlossenen Räumen für ausreichende Belüftung. Risiken durch Staub und Sehbehinderung.**
- **Staub von Materialien, z.B. von bleihaltigen Beschichtungen, verschiedenen Holzarten, Mineralien und Metallen, kann gesundheitsschädlich sein und allergische Reaktionen, Atemwegserkrankungen und/oder Krebs verursachen. Asbesthaltiges Material darf nur von Spezialisten bearbeitet werden.**
  - **Wo immer möglich, verwenden Sie einen Industriestaubsauger, der für das zu bearbeitende Material geeignet ist.**
  - **Stellen Sie sicher, dass der Arbeitsplatz richtig belüftet wird.**
  - **Beachten Sie die entsprechenden Vorschriften Ihres Landes für die zu bearbeitenden Materialien.**
- **Halten Sie Kabel von rotierenden Werkzeugen fern. Der Verlust der Kontrolle über das Elektrowerkzeug kann dazu führen, dass das Stromkabel durchtrennt oder eingeklemmt wird oder dass die Hand oder der ganze Arm in das rotierende Werkzeug gerät.**
- **Tragen Sie kein Elektrowerkzeug, das noch läuft. Unbeabsichtigter Kontakt eines laufenden**

Werkzeugs mit der Kleidung kann dazu führen, dass es sich darin verfängt und in den Körper des Bedieners gezogen wird.

- **Beginnen Sie erst mit der Arbeit, wenn das Elektrowerkzeug seine volle Drehgeschwindigkeit erreicht hat.**
- **Diamant-Trockenschneidscheiben dürfen keinem seitlichen Druck ausgesetzt werden.**
- **Verwenden Sie niemals Diamant-Trockenschneidscheiben für den Grobschliff.**

### Sicherheit bei Elektrizität

Beachten Sie bei der Arbeit mit elektrischen Werkzeugen/Geräten stets die in Ihrem Land geltenden Sicherheitsvorschriften, um Personenschäden, Stromschläge und Brände zu vermeiden. Lesen Sie die folgenden Sicherheitshinweise sowie die beliebigen Sicherheitshinweise sorgfältig durch.



Stellen Sie immer sicher, dass die Spannung der Stromversorgung der Nennspannung auf dem Typenschild des Werkzeugs/Geräts entspricht.



Werkzeug/Gerät der Schutzklasse II - geschützt - isoliert - kein Schutzkontaktanschluss erforderlich

Wenn sich Arbeiten mit einem Elektrowerkzeug in feuchten Umgebungen nicht vermeiden lassen, verwenden Sie eine Stromversorgung mit einer Fehlerstrom-Schutzeinrichtung (RCD). Durch die Verwendung einer RCD wird die Gefahr eines elektrischen Schlags verringert.

## 2. ANGABEN ZUM WERKZEUG

### Verwendungszweck

Dieses Elektrowerkzeug ist zum Trockenschneiden in Mauerwerk (Ziegel, Kalksandstein, Naturstein) und Beton vorgesehen. Es darf nicht zum Nassschneiden oder für Schnitte in Metall, Glas, Holz usw. verwendet werden.

### TECHNISCHE DATEN

Modellnummer	WC503AC
Modellnummer Schneidscheibe	WC802AA
Netzspannung	230 V~
Netzfrequenz 50	50 Hz
Leistungsaufnahme	2400W
Drehmomenteinstellungen	8000 /min
Scheibendurchmesser	150mm
Scheibenbohrung	22,2mm
Max. Schnitttiefe	43mm
Schnittbreite	30mm
Gewicht	6,2 kg
Schalldruckpegel LPA	97 + 3 dB(A)
Schallleistungspegel LWA	108 + 3 dB(A)
Schwingung ah	10,94 + 1,5 m/s <sup>2</sup>

### Vibrationsintensität

Die in dieser Bedienungsanleitung angegebene Vibrationsintensität wurde mit einem standardisierten Test gemäß EN60745 gemessen. Anhand dieser Größe können Werkzeuge miteinander verglichen werden. Außerdem eignet sich diese Größe für eine erste Beurteilung der Vibrationsbelastung bei Verwendung des Werkzeugs für die angegebenen Anwendungszwecke.

- Bei Verwendung des Werkzeugs für andere Anwendungen oder mit anderem oder unzureichend gewartetem Zubehör kann sich die Vibrationsbelastung erheblich erhöhen.
- Wenn das Werkzeug ausgeschaltet ist, oder wenn es eingeschaltet ist, jedoch nicht genutzt wird, kann sich die Vibrationsbelastung erheblich verringern.

Schützen Sie sich vor den Auswirkungen der Vibration durch Wartung des Werkzeugs und des Zubehörs, halten Sie Ihre Hände warm, und organisieren Sie Ihren Arbeitsablauf.

Wenn das **Netzkabel** dieses Elektrowerkzeugs beschädigt ist, muss es durch ein speziell vorbereitetes **Netzkabel** ersetzt werden, das über den Kundendienst erhältlich ist.



## BESCHREIBUNG

Die Buchstaben und Ziffern im folgenden Text verweisen auf die Abbildungen auf Seite 2-3.

1. EIN/AUS-Schalter
2. Sperrschalter
3. Anschlagschrauben
4. Hintere Walze
5. Kohlebürstenabdeckung
6. Trennscheibenschraube
7. Außenflansch
8. Diamantscheibe
9. Vordere Walze
10. Vordere Walze
11. Tiefeneinstellhebel
12. Anschluss für Staubabsaugvorrichtung
13. Tiefeneinstellskala
14. Staubsaugerschlauch

## 3. MONTAGE



Schalten Sie das Gerät vor der Montage aus, und ziehen Sie den Netzstecker aus der Steckdose.

### Montage und Austausch der Scheibe (Abb. A, C, D)



Eine gebrochene oder beschädigte Scheibe muss sofort ersetzt werden.



Verwenden Sie nur Scheiben, deren zulässige Drehgeschwindigkeit höher oder gleich der maximalen Leerlaufdrehzahl der Maschine ist.

Der Mauernutfräser ist zum Arbeiten mit speziellen 3-in-1-Scheiben ausgelegt. Verwenden Sie nur vom Hersteller zugelassene Scheiben.

1. Halten Sie den äußeren Flansch (7) mit dem mitgelieferten großen Schraubenschlüssel fest.
2. Entfernen Sie die Schraube (6) mit dem mitgelieferten kleinen Schraubenschlüssel.

**Hinweis:** Die Schraube hat ein Linksgewinde.

3. Entfernen Sie den äußeren Flansch (7).
4. Bringen Sie die Scheibe (8) an der Spindel an. Stellen Sie sicher, dass der Pfeil auf dem Gehäuse mit dem Pfeil auf der Scheibe (8) übereinstimmt.

**Hinweis:** Die Spindel ragt nicht aus der Bohrung der Scheibe (8) heraus.

5. Stecken Sie den äußeren Flansch (7) in die Bohrung in der Scheibe. Drehen Sie den äußeren

Flansch (7) unter Druck weiter, bis er vollständig angezogen ist.

6. Ziehen Sie die Schraube (6) fest.
7. Verwenden Sie den großen Schraubenschlüssel, um den äußeren Flansch (7) festzuhalten. Ziehen Sie nun die Schraube (6) mit dem kleinen Schraubenschlüssel fest.

Um die Scheibe zu entfernen, führen Sie das Installationsverfahren in umgekehrter Reihenfolge durch.

### Staubabsaugung (Abb. A, F)



Für eine gute Belüftung des Arbeitsplatzes sorgen.



Staubschutzmaske tragen.

Der Staub von bestimmten Materialien, z.B. Feinstaub, kann gesundheitsschädlich sein. Das Einatmen dieses Staubes kann allergische Reaktionen hervorrufen und/oder beim Benutzer oder bei Umstehenden Atemwegserkrankungen verursachen. Daher muss ein für das Material geeignetes Staubabsaugsystem verwendet werden. Gehen Sie dazu wie folgt vor:



Der Staubsauger muss für das zu bearbeitende Material geeignet sein.



Verwenden Sie beim Staubsaugen von besonders gesundheits- oder krebserregendem trockenem Staub einen speziellen Staubabscheider.

Ein Staubsaugerschlauch (14) kann an den Staubabsauganschluss (12) angeschlossen werden. Bei Arbeitsbeginn zuerst die Staubabsaugung, z.B. einen Industriestaubsauger, einschalten, dann den Mauernutfräser einschalten. Nach Beendigung der Arbeit gehen Sie umgekehrt vor: zuerst den Mauernutfräser ausschalten, dann den Staubsauger.



Staubansammlung am Arbeitsplatz vermeiden. Staub kann sich leicht entzünden.

Die Staubabsaugvorrichtung kann durch Staub, Späne oder Bruchstücke des Werkstücks blockiert werden. Daher muss sie regelmäßig gereinigt werden. Gehen Sie dazu wie folgt vor:

1. Trennen Sie den Netzstecker des Geräts von der Stromversorgung.
2. Warten Sie, bis die Scheibe (8) vollständig zum Stillstand gekommen ist.
3. Beseitigen Sie eventuell vorhandene Blockierungen.

## 4. BEDIENUNG

### Einstellung der Schnitttiefe (Abb. B, E)



Stellen Sie die Frästiefe vor Beginn der Arbeit und bei ausgeschaltetem Gerät ein.

1. Lösen Sie den Hebel (11), indem Sie ihn nach hinten bewegen.
2. Stellen Sie die gewünschte Schnitttiefe ein, siehe Abbildung E. Die Tiefe kann auf der Skala (13) abgelesen werden.
3. Stellen Sie den Hebel (11) durch Bewegen nach vorne fest.

### Ein- und Ausschalten (Abb. A)

- Um die Maschine einzuschalten, halten Sie die Einschaltsperr (2) gedrückt und drücken Sie gleichzeitig auf den Ein-/Aus-Schalter (1).
- Um die Maschine auszuschalten, lassen Sie den Ein-/Aus-Schalter (1) los.

### Durchführen von Schnitten (Abb. A, G)



Der Mauernutfräser ist nur für gerade Schnitte vorgesehen. Gebogene oder runde Schnitte sind nicht erlaubt.



Das Werkzeug ist nur zum Trockenschneiden vorgesehen.



Halten Sie das Werkzeug immer mit zwei Händen an den isolierten Griffen fest.

1. Zeichnen Sie Linien, um die Richtung anzugeben, in die die Scheiben geführt werden sollen.
2. Montieren Sie einen Staubsauger an den Staubauslass.
3. Stellen Sie die Frästiefe ein.
4. Positionieren Sie die hintere Walze (4) auf der Mauer Oberfläche. Beachten Sie, dass die Scheibe die Mauer Oberfläche noch nicht berühren sollte.
5. Schalten Sie den Mauernutfräser ein und warten Sie, bis die Scheibe die volle Drehzahl erreicht.

6. Senken Sie die Mauernutfräser allmählich ab und tauchen Sie die Scheibe in die Mauer Oberfläche ein.
7. Sobald die vordere Walze (9) auf der Mauer Oberfläche aufliegt, setzen Sie den Schnitt fort und bewegen den Mauernutfräser vorwärts und von Ihnen weg (in entgegengesetzter Richtung zur Drehung der Trennscheibe).
8. Bewegen Sie die Maschine langsam entlang der vorgezeichneten Linien und drücken Sie die Räder fest gegen die Wand.

**Hinweis:** Üben Sie jedoch keinen übermäßigen Druck auf die Maschine aus. Lassen Sie die Maschine die Arbeit machen. Die Anwendung von übermäßigem Druck kann zur Überhitzung des Motors und zur Beschädigung der Trennscheibe führen.

9. Zum Beenden eines Schnitts schalten Sie die Maschine aus und warten Sie, bis die Scheiben vollständig zum Stillstand gekommen sind. Danach nehmen Sie die Scheiben aus dem Werkzeug und legen die Maschine beiseite.



Nach dem Ausschalten des Mauernutfräasers darf die rotierende Scheibe nicht gewaltsam gebremst werden, indem sie gegen das bearbeitete Material gedrückt wird.



Trennscheiben erwärmen sich während des Betriebs auf hohe Temperaturen – berühren Sie sie daher nicht mit ungeschützten Teilen Ihres Körpers, bevor sie abgekühlt sind.

**Hinweis:** Beim Schneiden sehr harter Materialien kann die Trennscheibe überhitzen und dadurch beschädigt werden. Übermäßige Funken um die Trennscheibe herum weisen auf eine Überhitzung hin. Wenn dies auftritt, beenden Sie den Schneidvorgang und lassen Sie die Scheibe abkühlen, indem Sie sie 3-5 Minuten lang bei voller Drehzahl und ohne Last laufen lassen. Eine Abnahme der Schneidleistung und ständige übermäßige Funkenbildung um die Trennscheibe herum können auf eine stumpfe Trennscheibe hinweisen.

## 5. WARTUNG



*Schalten Sie das Gerät vor der Reinigung und Wartung immer aus, und ziehen Sie den Netzstecker aus der Steckdose.*

Reinigen Sie das Werkzeuggehäuse regelmäßig mit einem weichen Lappen, vorzugsweise nach jeder Verwendung. Stellen Sie sicher, dass die Lüftungsöffnungen frei von Staub und Schmutz sind. Entfernen Sie anhaftenden Schmutz mit einem weichen Lappen, der leicht mit Seifenwasser befeuchtet wurde. Verwenden Sie keine Lösungsmittel wie Benzin, Alkohol, Ammoniak usw., da Chemikalien dieser Art die Kunststoffteile beschädigen.

## UMWELTSCHUTZ



*Schadhafte und/oder zu entsorgende elektrische oder elektronische Werkzeuge und Geräte müssen an den dafür vorgesehenen Recycling-Stellen abgegeben werden.*

### Nur für EG-Länder

Entsorgen Sie Elektrowerkzeuge nicht über den Hausmüll. Entsprechend der EU-Richtlinie 2012/19/EG über Elektro- und Elektronik-Altgeräte sowie der Umsetzung in nationales Recht müssen Elektrowerkzeuge, die nicht mehr im Gebrauch sind, getrennt gesammelt und umweltschonend entsorgt werden.

## GARANTIE

VONROC-Produkte werden nach den höchsten Qualitätsstandards entwickelt und sind für den gesetzlich festgelegten Zeitraum, ausgehend von dem ursprünglichen Kaufdatum, garantiert frei von Fehlern in Material und Ausführung. Sollte das Produkt in diesem Zeitraum aufgrund von Material- und/oder Verarbeitungsmängeln Fehler aufweisen, wenden Sie sich bitte direkt an VONROC Kundendienst.

Folgende Umstände sind von der Garantie ausgeschlossen:

- Reparaturen und oder Änderungen an der Maschine, die durch nicht-autorisierte Servicestellen vorgenommen oder versucht wurden.
- Normale Abnutzung und Verschleiß.
- Das Werkzeug wurde übermäßig beansprucht, missbräuchlich verwendet oder falsch gewartet.
- Es wurden keine Original-Ersatzteile verwendet.

Dies stellt die einzige Gewährleistung des Unternehmens dar, sowohl ausdrücklich als auch implizit. Es gibt keine anderen ausdrücklichen oder stillschweigenden Garantien, die über das hier Genannte hinausgehen, einschließlich der stillschweigenden Garantien der Marktgängigkeit oder Eignung für einen bestimmten Zweck. In keinem Fall ist VONROC haftbar für Neben- oder Folgeschäden. Die Rechtsmittel des Händlers beschränken sich auf Reparatur oder Ersatz fehlerhafter Einheiten oder Teile.

**Am Produkt und am Benutzerhandbuch können Änderungen vorgenommen werden. Die technischen Daten können sich ohne Vorankündigung ändern.**

## 1. VEILIGHEIDSVOORSCHRIFTEN

Lees de bijgesloten veiligheidswaarschuwingen, de aanvullende veiligheidswaarschuwingen en de instructies. Het niet opvolgen van de veiligheidswaarschuwingen kan elektrische schokken, brand en/of ernstig letsel tot gevolg hebben. Bewaar de veiligheidswaarschuwingen en instructies als naslagwerk voor later.

De volgende symbolen worden gebruikt in de gebruikershandleiding of op het product:



*Lees de gebruikershandleiding.*



*Gevaar voor lichamelijk letsel, overlijden of schade aan de machine wanneer de instructies in deze handleiding niet worden opgevolgd.*



*Gevaar voor elektrische schokken.*



*Verwijder onmiddellijk de netstekker uit het stopcontact indien het netsnoer beschadigd raakt en tijdens reiniging en onderhoud.*



*Gevaar voor rondvliegende voorwerpen. Houd omstanders uit de buurt van het werkgebied.*



*Draag altijd een veiligheidsbril!*



*Draag gehoorbescherming.*



*Draag een stofmasker.*



*Draag veiligheidshandschoenen.*



*Niet gebruiken in regen.*



*Klasse II apparaat - Dubbel geïsoleerd - Een geaarde stekker is niet noodzakelijk.*



*Werp het product niet weg in ongeschikte containers.*



*Het product is in overeenstemming met de van toepassing zijnde veiligheidsnormen in de Europese richtlijnen.*

## ALGEMENE VEILIGHEIDSVOORSCHRIFTEN



**WAARSCHUWING! Lees alle veiligheidswaarschuwingen en alle instructies.**

*Het niet opvolgen van onderstaande instructies kan leiden tot een elektrische schok, brand en/of ernstig persoonlijk letsel.*

### Bewaar deze instructies goed.

De term "elektrisch gereedschap" in onderstaande waarschuwingen heeft betrekking op zowel apparatuur met een vaste elektriciteitskabel als op apparatuur met een accu (draadloze apparatuur).

#### 1) Werkgebied

- a) **Zorg voor een opgeruimde en goed verlichte werkomgeving.** Rommelige en donkere werkomgevingen leiden tot ongelukken.
- b) **Gebruik elektrisch gereedschap nooit in een omgeving waar explosiegevaar bestaat, zoals in de nabijheid van ontvlambare vloeistoffen, gassen, dampen of andere stoffen.** Elektrische gereedschappen kunnen vonken veroorzaken, die deze stoffen tot ontbranding kunnen brengen.
- c) **Wanneer u elektrisch gereedschap gebruikt, houd dan kinderen en omstanders op afstand.** Wanneer u wordt afgeleid, kunt u de controle over het gereedschap verliezen.

#### 2) Elektrische veiligheid

- a) **Stekkers van elektrische gereedschappen moeten probleemloos passen op het stopcontact. Breng nooit wijzigingen aan in of aan de stekker. Gebruik geen adapters voor geaarde elektrische gereedschappen.** Standaardstekkers en passende stopcontacten verkleinen de kans op een elektrische schok.
- b) **Voorkom lichamelijk contact met geaarde oppervlakken van bijvoorbeeld pijpen, leidingen, radiatoren, fornuizen en koelkasten.** Wanneer uw lichaam geaard is, wordt de kans op een elektrische schok groter.
- c) **Stel elektrische gereedschappen nooit bloot aan regen of vocht.** Wanneer er water binnendringt in een elektrisch gereedschap, wordt de kans op een elektrische schok groter.
- d) **Gebruik het snoer niet om het elektrisch gereedschap te dragen, te verplaatsen of de stekker uit het stopcontact te trekken. Bescherm het snoer tegen olie, warmte, scherpe randen en bewegende delen.** Beschadigde of vastzittende snoeren vergroten de kans op een elektrische schok.

- e) **Wanneer u elektrische gereedschappen buiten gebruikt, gebruik dan een verlengkabel die geschikt is voor buitengebruik.** Door een kabel te gebruiken die geschikt is voor buitengebruik, wordt de kans op een elektrische schok kleiner.
- f) **Gebruik een aardlekbeveiliging (RCD) als niet te voorkomen is dat een power tool moet worden gebruikt in een vochtige omgeving.** Gebruik van een RCD vermindert het risico van elektrische schokken.
- 3) Persoonlijke veiligheid**
- a) **Blijf altijd alert, kijk goed wat u doet en gebruik uw gezonde verstand wanneer u een elektrisch gereedschap gebruikt. Gebruik geen elektrische gereedschappen wanneer u moe bent, of drugs, alcohol of medicijnen hebt gebruikt.** Eén moment van onachtzaamheid bij het gebruik van elektrische gereedschappen kan ernstige verwondingen tot gevolg hebben.
- b) **Gebruik persoonlijke beschermingsmiddelen. Draag altijd een veiligheidsbril.** Een gepast gebruik van veiligheidsvoorzieningen, zoals een stof masker, speciale werkschoenen met antislipzolen, een veiligheidshelm en gehoor bescherming verkleinen de kans op persoonlijk letsel.
- c) **Voorkom dat het gereedschap per ongeluk wordt gestart. Zorg dat de schakelaar op de UIT positie staat, voordat u de stekker in het stopcontact steekt.** Draag elektrisch gereedschap nooit met uw vinger op de schakelaar en steek ook nooit de stekker van ingeschakelde elektrische gereedschappen in het stopcontact: dit leidt tot ongelukken.
- d) **Verwijder alle instel en andere sleutels uit het elektrisch gereedschap voordat u hem inschakelt.** Instel en andere sleutels aan een ronddraaiend onderdeel van het elektrisch gereedschap kunnen tot verwondingen leiden.
- e) **Zorg dat u nooit uw evenwicht kunt verliezen; houd altijd twee voeten stevig op de vloer.** Hierdoor kunt u het elektrisch gereedschap in onverwachte situaties beter onder controle houden.
- f) **Zorg dat u geschikte kleding draagt. Draag geen loshangende kleding of sieraden. Houd uw haar, kleding en handschoenen uit de buurt van bewegende delen.** Loshangende kleding, sieraden en lang haar kunnen vast komen te zitten in bewegende delen.
- g) **Wanneer er voorzieningen zijn voor de aansluiting van stofafzuiginstallaties, zorg dan dat ze op de juiste wijze worden aangesloten en gebruikt.** Gebruik van deze voorzieningen vermindert de gevaren die door stof worden veroorzaakt.
- h) **Denk niet dat doordat u gereedschap vaak gebruikt, u wel weet hoe het allemaal werkt en dat u de veiligheidsbeginselen voor het gebruik van het gereedschap wel kunt negeren.** Een onbezonnen actie kan in een fractie van een seconde ernstig letsel tot gevolg hebben.
- 4) Gebruik en onderhoud van elektrisch gereedschap**
- a) **Oefen geen overmatige kracht uit op elektrisch gereedschap. Gebruik het juiste gereedschap voor uw specifieke toepassing.** Met het juiste elektrische gereedschap voert u de taak beter en veiliger uit wanneer dit op de snelheid gebeurt waarvoor het apparaat is ontworpen.
- b) **Gebruik nooit elektrisch gereedschap waarvan de AAN/UITschakelaar niet werkt.** Ieder elektrisch gereedschap dat niet kan worden in en uitgeschakeld met de schakelaar is gevaarlijk en moet worden gerepareerd.
- c) **Trek de stekker uit het stopcontact voordat u wijzigingen aanbrengt aan elektrische gereedschappen, accessoires verwisselt of het elektrisch gereedschap opbergt.** Wanneer u zich aan deze preventieve veiligheidsmaatregelen houdt, beperkt u het risico dat het gereedschap per ongeluk wordt gestart.
- d) **Berg elektrisch gereedschap dat niet in gebruik is op buiten bereik van kinderen en laat personen die niet bekend zijn met het gereedschap of deze instructies het apparaat niet gebruiken.** Elektrisch gereedschap is gevaarlijk in de handen van ongeoeffende gebruikers.
- e) **Zorg voor een goed onderhoud van elektrisch gereedschap. Controleer of bewegende delen op de juiste wijze zijn vastgezet. Controleer ook of er geen onderdelen defect zijn of dat er andere omstandigheden zijn die van invloed kunnen zijn op de werking van het gereedschap. Laat het gereedschap bij beschadigen repareren vóór gebruik.** Veel ongelukken worden veroorzaakt door slecht onderhoud van het gereedschap.
- f) **Zorg dat snij en zaagwerk tuigen scherp en schoon blijven.** Goed onderhouden snij en zaagwerk tuigen met scherpe randen zullen minder snel vastlopen en zijn eenvoudiger onder controle te houden.

- g) **Gebruik alle elektrische gereedschappen, accessoires, bitjes etc., zoals aangegeven in deze instructies en op de wijze waarvoor het gereedschap is ontworpen. Houd daarbij rekening met de werkomstandigheden en de uit te voeren taak.** Gebruik van elektrisch gereedschap voor handelingen die afwijken van de taken waarvoor het apparaat is ontworpen kunnen leiden tot gevaarlijke situaties.
- h) **Houd handgrepen en greepoppervlakken droog, schoon en vrij van olie en vet.** Gladde handgrepen en greepoppervlakken maken veilig werken en controle over het gereedschap in onverwachte situaties onmogelijk.
- 5) **Service**
- a) **Laat uw gereedschap onderhouden door een gekwalificeerde onderhoudstechnicus die alleen gebruikmaakt van identieke vervangingsonderdelen.** Dit zorgt ervoor dat de veiligheid van de powertool intact blijft.

#### **VEILIGHEIDSWAARSCHUWINGEN DIE GELDEN VOOR ZOWEL SLIJPWERKZAAMHEDEN ALS DOORSLIJPWERKZAAMHEDEN:**

- a) **De bij het gereedschap geleverde bescherming moet voor maximale veiligheid goed op het elektrische gereedschap worden geplaatst en bevestigd, zodat het kleinste deel van de schijf in de richting van de gebruiker is blootgesteld. Positioneer uzelf en omstanders zo dat niemand op één lijn met de draairichting van de draaischijf staat.** *De afscherming helpt om de gebruikers tegen fragmenten van een eventueel afgebroken schijf te beschermen en tegen ongewenst contact met de schijf.*
- b) **Gebruik voor uw elektrische gereedschap uitsluitend diamant-slijpschijven.** *Ook als een accessoire op uw elektrische gereedschap past, garandeert dat geen veilige werking.*
- c) **Het nominale toerental van de accessoires moeten minimaal gelijk zijn aan de maximumsnelheid die is aangegeven op het elektrisch gereedschap.** *Accessoires die sneller draaien dan hun nominale snelheid, kunnen breken en uit elkaar vliegen.*
- d) **Schijven dienen uitsluitend voor de aanbevolen toepassingen gebruikt te worden. Bijvoorbeeld: niet schuren met de zijkant van een slijpschijf.** *Slijpschijven zijn bedoeld voor slijpwerkzaamheden, als druk op de zijkant wordt uitgeoefend kunnen de schijven versplinteren.*
- e) **Gebruik altijd onbeschadigde wielflenzen met de passende diameter voor de door u geselecteerde schijf.** *De juiste wielflenzen ondersteunen de schijf, zodat de kans op het breken van de schijf wordt geminimaliseerd.*
- f) **Forceer een slijpschijf nooit en druk er niet hard op. Probeer niet om een overmatige slijpdiepte te creëren.** *Het overmatig druk uitoefenen op de schijf zal het belasten en de gevoeligheid voor het verdraaien of vastlopen van de schijf in de snede verhogen, met een terugslag of het breken van de schijf als mogelijk gevolg.*
- g) **Als de schijf vastloopt, of als het slijpen om enige reden wordt onderbroken, dient het elektrische gereedschap uitgeschakeld en volledig stil gehouden te worden totdat de schijf geheel is gestopt. Probeer nooit om de schijf uit de snede te trekken terwijl de schijf nog in beweging is, omdat dit mogelijk kan leiden tot een terugslag.** *Bekijk de situatie en neem corrigerende maatregelen om de oorzaak van het vastlopen van de schijf te elimineren.*
- h) **De werkzaamheden nooit opnieuw starten als de schijf nog in het werkstuk steekt. Laat de schijf eerst op volledige snelheid komen, waarna de schijf voorzichtig opnieuw in de snede ingebracht kan worden.** *Als het elektrische gereedschap opnieuw wordt gestart met de schijf in het werkstuk, kan dit leiden tot het vastlopen van de schijf, kan de schijf uit het werkstuk schieten, of kan dit leiden tot een terugslag.*
- i) **Ondersteun panelen of zeer grote werkstukken om het risico op vastlopen en terugslag te minimaliseren. Grote werkstukken kunnen door hun eigen gewicht inzakken.** *Ondersteuning dienen onder het werkstuk, bij de snede en de rand van het werkstuk, aan beide kanten van de schijf geplaatst te worden.*
- j) **Wees extra voorzichtig wanneer u een 'snede' maakt in bestaande muren of andere blinde gebieden.** *De schijf kan gas- of waterleidingen, elektrische bedrading of objecten raken, die een terugslag kunnen veroorzaken.*

#### **Terugslag en hieraan gerelateerde waarschuwingen**

Terugslag is een plotselinge reactie op een vastgelopen of vastgeklemd draaiende schijf, steunschijf, borstel of ander accessoire. Als het

accessoire vastloopt of vastgeklemd raakt, komt het accessoire plots tot stilstand, wat op zijn beurt tot gevolg heeft dat de powertool in de richting wordt geforceerd die tegengesteld is aan de rotatie van het accessoire op het contactpunt. Als een slijpschijf bijvoorbeeld in het werkstuk vastloopt of vastgeklemd raakt, kan de rand van de schijf die in het knelpunt vastraakt, zich ingraven in het oppervlak van het materiaal waardoor de schijf naar buiten klimt of springt. De schijf kan dan in de richting van de gebruiker of weg van de gebruiker springen, afhankelijk van de richting van de schijfbeweging op het knelpunt. Slijpschijven kunnen onder deze omstandigheden ook afbreken. Terugslag ontstaat door onjuist gebruik van de powertool en/of onjuiste gebruiksprocedures/-omstandigheden en kan worden vermeden door de voorzorgsmaatregelen hieronder te nemen.

- a) **Houd de machine stevig vast en plaats uw lichaam zodanig dat u de krachten die ontstaan bij terugslag kunt weerstaan. Gebruik altijd de hulpgreep, indien aanwezig, om maximale controle te houden over terugslag of koppelreactie bij opstarten.** *De gebruiker kan koppelreacties of terugslagkrachten onder controle houden met de juiste voorzorgsmaatregelen.*
- b) **Plaats uw hand nooit in de buurt van het draaiende accessoire.** *Het accessoire kan terugslaan over uw hand.*
- c) **Plaats uw lichaam niet in het gebied waarin de powertool zal bewegen als er terugslag optreedt.** *Bij terugslag zal de tool draaiend terugspringen in de richting die tegengesteld is aan de beweging van de schijf op het knelpunt.*
- d) **Wees uiterst voorzichtig bij het gebruik van de machine bij hoeken, scherpe randen, etc.** *Voorkom dat de machine stuitert of vastgeklemd raakt. Hoeken, scherpe randen of een terugspringende machine kunnen tot gevolg hebben dat het draaiende accessoire vastloopt waardoor u de controle verliest of er terugslag optreedt.*
- e) **Bevestig geen houtbewerkingsbladen voor zaagkettingen of getande zaagbladen.** *Dergelijke bladen veroorzaken vaak terugslag en verlies van controle over de machine.*

## SPECIALE VEILIGHEIDSVOORSCHRIFTEN

- **Mensen jonger dan 16 mogen de machine niet gebruiken.**
- **Degene die de machine gebruikt of bedient,**

**moet de inhoud van deze instructiehandleiding kennen.**

- **Vraag, voordat u sleuven freest in dragende muren, advies aan de verantwoordelijke bouwkundige, architect of toezichthouder op de locatie.**
- **Gebruik het elektrisch gereedschap uitsluitend met de bijgeleverde beschermkap geïnstalleerd.** *De beschermkap moet stevig op het elektrisch gereedschap worden gemonteerd en worden afgesteld, zodat een optimale veiligheid is gegarandeerd, wat betekent dat het gedeelte van de schijf dat naar de gebruiker is gekeerd zoveel mogelijk moet zijn afgeschermd.* *De beschermkap moet de gebruiker beschermen tegen splinters en contact met de zaagschijf.*
- **Gebruik uitsluitend diamant-zaagschijven.** *De mogelijkheid apparatuur in het elektrisch gereedschap te installeren garandeert op zich geen veilig gebruik.*
- **Gebruik diamant-zaagschijven uitsluitend voor de taken waarvoor ze zijn ontworpen.** *Bijvoorbeeld, voer nooit slijpwerkzaamheden uit met het zij-oppervlak van een zaagschijf. Zaagschijven zijn ontworpen om materiaal te verwijderen met de rand van de schijf. Door toepassing van zijdelingse kracht kan een schijf van dit type breken.*
- **Gebruik altijd onbeschadigde bevestigingsflenzen van een formaat dat past bij de zaagschijf.** *De juiste flenzen ondersteunen de zaag heeft en verminderen het risico van breuk.*
- **Zet de werkplek stevig vast, ook achter openingen en uitgezaagde delen.** *Werkplekken die niet goed zijn vastgezet, kunnen gevaarlijk zijn voor u en andere mensen.*
- **Let goed op voor onbedekte en verborgen elektriciteitskabels, en ook op water- en gasleidingen.** *Zoek met geschikte detectors water-, gas- en elektriciteitsleidingen en/of -kabels, of vraag advies aan het lokale utiliteitsbedrijf. Contact met elektriciteitskabels kan brand en een elektrische schok tot gevolg hebben. Beschadiging van een gasleiding kan tot ontploffing leiden. Het beschadigen van een waterleiding kan materiële schade tot gevolg hebben of een elektrische schok veroorzaken.*
- **Houd het elektrisch gereedschap, wanneer het in aanraking kan komen met elektrische draden of het eigen netsnoer, altijd uitsluitend vast aan de geïsoleerde handgreep.** *Wanneer het elektrisch gereedschap in aanraking komt met draden die onder spanning staan, komen alle*

metalen delen van het gereedschap ook onder spanning te staan en dat kan de gebruiker een elektrische schok geven.

- **Zorg ervoor dat er geen situaties kunnen ontstaan waarin mensen kunnen struikelen of vallen.** Een val over kabels kan ernstige verwondingen tot gevolg hebben.
- **Zet het werkstuk vast.** Een werkstuk dat stevig vast is gezet in klemmen of een bankschroef, is veiliger dan een werkstuk dat u met de hand vasthoudt.
- **Zorg ervoor dat er zich geen stof op de werkplek kan verzamelen.** Stofdeeltjes kunnen gemakkelijk tot ontbranding komen.
- **Zorg in afgesloten ruimten voor voldoende ventilatie.** Risico als gevolg van stof en beperkt zicht.
- **Stof van materialen zoals coatings die lood bevatten, tal van houtsoorten, mineralen en metalen kan schadelijk zijn voor de gezondheid en allergische reacties, aandoeningen van de luchtwegen en/of kanker veroorzaken.** Materiaal dat asbest bevat, mag alleen door specialisten worden verwerkt.
  - Gebruik, wanneer dat mogelijk is, een industriële stofzuiger die geschikt is voor het materiaal dat u bewerkt.
  - Zorg ervoor dat de werkplek goed is geventileerd.
  - Neem de relevante voorschriften in uw land in acht voor de materialen die moeten worden bewerkt.
- **Houd het netsnoer weg van roterend gereedschap.** Verlies van controle over het elektrisch gereedschap kan leiden tot het doorsnijden of vastgrijpen van het netsnoer, ook een hand of een hele arm kan in het roterende gereedschap bekneld raken.
- **Draag het elektrisch gereedschap niet wanneer het ronddraait.** Wanneer roterend gereedschap in aanraking komt met kleding kan dat leiden tot het vastgrijpen van kleding of het werkende gereedschap kan in het lichaam van de gebruiker binnendringen.
- **Begin pas met werken wanneer het elektrisch gereedschap op volledige snelheid ronddraait.**
- **Stel diamant-zaagschijven voor droog zagen niet bloot aan zijwaartse druk.**
- **Gebruik diamant-zaagschijven voor droog zagen niet voor ruw slijpwerk.**

## ELEKTRISCHE VEILIGHEID

Neem bij het gebruik van elektrische machines altijd de plaatselijk geldende veiligheidsvoorschriften in acht in verband met brandgevaar, gevaar voor elektrische schokken en lichamelijk letsel. Lees behalve onderstaande instructies ook de veiligheidsvoorschriften in het apart bijgevoegde veiligheidskatern door.



Controleer altijd of de spanning van de voedingstoevoer overeenkomt met de spanning op het typeplaatje.



Klasse II apparaat - Dubbel geïsoleerd - Een geaarde stekker is niet noodzakelijk.

Gebruik een aardlekbeveiliging (RCD) als niet te voorkomen is dat een power tool moet worden gebruikt in een vochtige omgeving. Gebruik van een aardlekbeveiliging (RCD) verkleint het risico op elektrische schokken.

## 2. TECHNISCHE INFORMATIE

### Bedoeld gebruik

Dit elektrisch gereedschap is ontworpen voor het droog zagen in metselwerk (baksteen, kalkzandblokken, natuursteen) en beton. Het mag niet gebruikt worden voor nat zagen of voor het slagen in metaal, glas, hout, enz.

### TECHNISCHE SPECIFICATIES

Modelnr.	WC503AC
Modelnr. doorslijpschijf	WC802AA
Netspanning	230 V~
Netfrequentie	50 Hz
Opgenomen vermogen	2400W
Onbelast toerental	8000 /min
Schijfdiameter	150mm
Schijfboring	22,2mm
Max. zaagdiepte	43mm
Snijbreedte	30mm
Gewicht	6,2 kg
Geluidsrukniveau LPA	97 + 3 dB(A)
Geluidsvermogensniveau LWA	108 + 3 dB(A)
Trillingen ah	10,94 + 1,5 m/s <sup>2</sup>



### Trillingsniveau

Het trillingsemissieniveau, dat in deze gebruiksaanwijzing wordt vermeld, is gemeten in overeenstemming met een gestandaardiseerde test volgens EN 60745; deze mag worden gebruikt om twee machines met elkaar te vergelijken en als voorlopige beoordeling van de blootstelling aan trilling bij gebruik van de machine voor de vermelde toepassingen

- gebruik van de machine voor andere toepassingen, of met andere of slecht onderhouden accessoires, kan het blootstellingsniveau aanzienlijk verhogen
- wanneer de machine is uitgeschakeld of wanneer deze loopt maar geen werk verricht, kan dit het blootstellingsniveau aanzienlijk reduceren

Bescherm uzelf tegen de gevolgen van trilling door de machine en de accessoires te onderhouden, uw handen warm te houden en uw werkwijze te organiseren.

Als het **netsnoer** van dit elektrisch gereedschap beschadigd is, moet het worden vervangen door een speciaal gemaakt **netsnoer** dat kan worden verkregen bij de onderhoudsdienst.

### BESCHRIJVING

De nummers in de tekst verwijzen naar de diagrammen op pagina 2-3.

1. Schakelaar Aan / Uit
2. Schakelaar voor vergrendeling in de uit-stand
3. Handvat achter
4. Achterste roller
5. Kap koolstofborstel
6. Zaagbladbout
7. Buitenste flens
8. Diamantschijf
9. Voorste roller
10. Voorste roller
11. Hendel voor diepteafstelling
12. Stofafzuigpoort
13. Schaalverdeling voor diepteafstelling
14. Vacuümslang

### 3. ASSEMBLAGE



*Schakel vóór montage altijd de machine uit en verwijder de netstekker uit het stopcontact.*

### De schijf monteren en vervangen (Afb. A, C, D)



*Een gebroken of beschadigde schijf moet onmiddellijk worden vervangen.*



*Gebruik uitsluitend schijven waarvan de toegestane rotatiesnelheid hoger of gelijk is aan de maximale onbelaste snelheid van de machine.*

De sleuvenfreesmachine is ontworpen voor speciale 3-in-1-schijven. Gebruik alleen schijven die zijn goedgekeurd door de fabrikant.

1. Houd de buitenste flens (7) vast met de meegeleverde grote steeksleutel.
2. Verwijder de bout (6) met de meegeleverde kleine steeksleutel.
3. Verwijder de buitenste flens (7).
4. Monteer de schijf (8) op de as. Let erop dat de pijl op de behuizing in dezelfde richting wijst als de pijl op de schijf (8).

**NB:** de bout is voorzien van linkse schroefdraad.

5. Zet de buitenste flens (7) in het gat van de schijf. Draai de buitenste flens (7) terwijl u deze indrukt, tot de flens geheel vastzit.
6. Zet de bout (6) vast.
7. Houd met de grote steeksleutel de buitenste flens (7) vast. Zet nu de bout (6) met de kleine steeksleutel vast.

Voer voor het verwijderen van de schijf de installatieprocedure in omgekeerde volgorde uit.

### Stofafzuiging (Afb. A, F)



*Zorg voor een goede ventilatie op de werkplek.*



*Draag een stofmasker.*

Het stof van bepaalde materialen kan schadelijk voor uw gezondheid zijn. Het inademen van dit stof kan allergische reacties en/of aandoeningen van de luchtwegen veroorzaken bij de gebruiker of bij mensen in de nabijheid. Daarom moet een stofafzuigstelsel dat geschikt is voor het materiaal worden gebruikt. Dat doet u als volgt:



*De stofzuiger moet geschikt zijn voor het materiaal waarmee u werkt.*



*Wanneer u droog stof opzuigt dat zeer schadelijk is voor de gezondheid of stof dat kankerverwekkend is, gebruik dan een speciaal systeem voor stofafzuiging.*

U kunt de slang (14) van een stofzuiger aansluiten op de stofafzuigpoort (12). Wanneer u met uw werkzaamheden begint, moet u eerst het stofafzuigstelsel, bijv. een industriële stofzuiger, inschakelen en daarna de sleuvenfreesmachine. Wanneer de werkzaamheden zijn voltooid, moet u in omgekeerde volgorde te werk gaan - de sleuvenfreesmachine uitschakelen en daarna de stofzuiger.



*Zorg ervoor dat er zich geen stof verzamelt op de werkplek. Stof kan gemakkelijk tot ontbranding komen.*

Het systeem voor stofafzuiging kan verstopt raken door stof, spaanders of snippers van het werkstuk. Daarom moet het systeem regelmatig worden schoongemaakt. Dat doet u als volgt:

1. Trek de stekker uit het stopcontact.
2. Wacht tot de schijf (8) geheel tot stilstand is gekomen.
3. Verwijder eventuele blokkades.

## 4. BEDIENING

### De zaagdiepte aanpassen (Afb. B, E)



*Stel de diepte van de sleuf in voor u met de werkzaamheden begint en met de machine uitgeschakeld.*

1. Maak de hendel (11) los door deze naar achteren te verplaatsen.
2. Voer de aanpassing uit tot de gewenste zaagdiepte, zoals in afbeelding E. U kunt de diepte aflezen op de schaalverdeling (13).
3. Zet de hendel (11) vast door deze naar voren te verplaatsen.

### In- en uitschakelen (Fig. A)

- Om de machine in te schakelen, houdt u de ontgrendelingsknop (2) ingedrukt en drukt gelijktijdig de aan/uit-schakelaar (1) in.
- Om de machine uit te schakelen, laat u de aan/uit-schakelaar (1) los.

### Een zaagsnede maken (Afb. A, G)



*De sleuvenfreesmachine is ontworpen voor alleen rechte zaagsneden. Gebogen of ronde zaagsneden maken is niet toegestaan.*



*Het gereedschap is ontworpen voor alleen droog zagen.*



*Houd het gereedschap altijd met beide handen vast aan de geïsoleerde handgrepen.*

1. Teken lijnen die de richting aangeven waarin u de schijven stuurt.
2. Monteer een stofzuiger op de stofafzuigpoort.
3. Stel de zaagdiepte in.
4. Plaats de achterste roller (4) op het oppervlak van de wand. NB. de schijf mag het oppervlak van de wand nog niet raken.
5. Schakel de sleuvenfreesmachine in en wacht tot de schijven geheel op snelheid zijn.
6. Laat de sleuvenfreesmachine geleidelijk zakken en laat de schijven in het oppervlak van de wand zakken.
7. Ga, zodra de voorste roller (9) op het oppervlak van de wand rust, door met de zaagsnede en verplaats de sleuvenfreesmachine naar voren en van u af (in de richting die tegengesteld is aan de rotatie van de zaagschijf).
8. Verplaats de machine langzaam langs de lijnen die u hebt getekend, druk de wielen stevig tegen de wand.  
**NB:** Oefen niet te veel druk uit op de machine. Laat de machine het werk doen. Oefent u te veel druk uit, dan kan de motor oververhit raken en kan de zaagschijf beschadigd raken.
9. Beëindig de zaagsnede door de machine uit te schakelen en wacht tot de schijven tot stilstand zijn gekomen. Haal daarna de schijven uit de sleuf en zet de machine neer.



*Nadat u de machine hebt uitgeschakeld, mag u niet de roterende schijf afremmen door deze tegen verwerkt materiaal te drukken.*



*Zaagschijven bereiken zeer hoge temperaturen tijdens de werkzaamheden - raak ze pas aan wanneer ze zijn afgekoeld.*

**NB:** Wanneer u zeer harde materialen zaagt, kan de zaagschijf te heet worden en als gevolg daarvan kapot gaan. Heel veel vonken rond de zaagschijf wijzen op oververhitting. Wanneer dat het geval is, stop dan met zagen en laat de schijven afkoelen door ze 3 - 5 minuten onbelast op volle rotatiesnelheid te laten draaien. Wanneer de zaagschijf minder goed gaat zagen en er constant heel veel vonken rond de zaagschijven te zien zijn, wijst dat erop dat de zaagschijf bot is.

## 5. ONDERHOUD



*Schakel voor reiniging en onderhoud altijd de machine uit en verwijder de netstekker uit het stopcontact.*

Reinig de machinebehuizing regelmatig met een zachte doek, bij voorkeur iedere keer na gebruik. Zorg dat de ventilatiesleuven vrij van stof en vuil zijn. Gebruik bij hardnekkig vuil een zachte doek bevochtigd met zeepwater. Gebruik geen oplosmiddelen als benzine, alcohol, ammonia, etc. Dergelijke stoffen beschadigen de kunststof onderdelen.

## MILIEU



*Defecte en/of afgedankte elektrische of elektronische gereedschappen dienen ter verwerking te worden aangeboden aan een daarvoor verantwoordelijke instantie.*

### Uitsluitend voor EG-landen

Werp elektrisch gereedschap niet weg bij het huisvuil. Conform de Europese Richtlijn 2012/19/EG voor Afgedankte Elektrische en Elektronische Apparatuur en de implementatie ervan in nationaal recht moet niet langer te gebruiken elektrisch gereedschap gescheiden worden verzameld en op een milieuvriendelijke wijze worden verwerkt.

## GARANTIE

VONROC producten zijn ontworpen volgens de hoogste kwaliteitsstandaarden en gegarandeerd vrij van defecten, zowel materieel als fabrieksfouten, tijdens de wettelijk vastgestelde garantieperiode vanaf de eerste aankoopdatum. Mocht het product tijdens deze periode gebreken vertonen veroorzaakt door defecte materialen en/of fabrieksfouten, neem dan rechtstreeks contact op met VONROC.

De volgende situaties vallen niet onder de garantie:

- Er zijn reparaties of aanpassingen aan de machine uitgevoerd, of er is een poging daartoe ondernomen, door een nietgeautoriseerd servicecentrum.
- Normale slijtage.
- De machine is misbruikt, verkeerd gebruikt of slecht onderhouden.
- Er zijn niet-originele reserveonderdelen gebruikt.

Dit vormt de enige garantie opgesteld door het bedrijf zowel expliciet als impliciet. Er bestaan geen andere garanties expliciet of impliciet welke verder gaan dan deze garantie, inclusief impliciete garanties van verkoopbaarheid en geschiktheid voor bepaalde doeleinden. In geen enkel geval kan VONROC aansprakelijk worden gesteld voor incidentele schade of gevolgschade. Reparaties van dealers zijn gelimiteerd tot de reparatie of vervanging van defecte producten of onderdelen.

**Het product en de gebruikershandleiding zijn onderhevig aan wijzigingen. Specificaties kunnen zonder opgaaf van redenen worden gewijzigd.**

## 1. CONSIGNES DE SÉCURITÉ

En plus des avertissements de sécurité suivants, veuillez également lire les avertissements de sécurité additionnels ainsi que les instructions. Le non-respect des avertissements de sécurité et des instructions peut entraîner une décharge électrique, un incendie et/ou des blessures graves. Veuillez conserver les avertissements de sécurité et les instructions pour consultation ultérieure.

Les symboles suivants sont utilisés dans le manuel d'utilisation ou apposés sur le produit:



Lisez le manuel d'utilisation.



Signale un risque de blessures, un danger mortel ou un risque d'endommagement de l'outil en cas de non-respect des instructions de ce manuel.



Risque de décharge électrique



En cas d'endommagement du câble secteur et durant le nettoyage et l'entretien, débranchez immédiatement la fiche de la prise secteur.



Risque de projection d'objets. Maintenez les spectateurs à l'écart de la zone de travail.



Portez toujours des lunettes de protection!



Portez des protections auditives



Portez un masque anti-poussière.



Portez des gants de sécurité.



Ne pas utiliser sous la pluie.



Machine de classe II - Double isolation - Vous n'avez pas besoin de prise avec mise à la terre.



Ne jetez pas le produit dans des conteneurs qui ne sont pas prévus à cet effet.



Le produit est conforme aux normes de sécurité en vigueur spécifiées dans les directives européennes.

## CONSIGNES GÉNÉRALES DE SÉCURITÉ



**AVERTISSEMENT! Veuillez lire l'intégralité des avertissements de sécurité et des instructions.** Le nonrespect de toutes les instructions indiquées cidessous peut entraîner un risque de choc électrique, d'incendie et/ou de blessures graves.

### Conservez ces instructions.

Le terme "appareil électrique" mentionné dans tous les avertissements cidessous se rapporte à un appareil électrique qui se branche au réseau électrique (grâce à un câble d'alimentation) ou à un appareil électrique (sans fil) fonctionnant grâce à une batterie.

#### 1) Espace de travail

- Veillez toujours à garder votre espace de travail propre et bien éclairé.** Les espaces mal rangés et sombres peuvent être la cause d'accidents.
- N'utilisez pas les appareils électriques dans des environnements susceptibles d'explosion, par exemple en présence de liquides inflammables, de gaz ou de particules.** Les appareils électriques provoquent des étincelles qui peuvent enflammer les particules des émanations.
- Veillez à garder éloignés les enfants et les personnes se trouvant dans votre voisinage, lors de l'utilisation d'un appareil électrique.** Les distractions peuvent vous faire perdre le contrôle de l'appareil.

#### 2) Mesures de sécurité électriques

- Les prises des appareils électriques doivent être raccordées à la prise murale correspondante. Ne modifiez jamais la prise de l'appareil, de quelque façon que ce soit. N'utilisez pas d'adaptateurs qui mettent les appareils électriques à la terre (mise à la masse).** Des prises non modifiées et branchées à la prise murale correspondante réduiront les risques de choc électrique.
- Évitez le contact direct avec les surfaces mises à la terre ou mises à la masse comme les canalisations, les radiateurs, les cuisinières et les réfrigérateurs.** En effet, le risque de choc électrique s'accrut si votre corps est mis à la terre ou à la masse.
- N'utilisez pas d'outils électriques dans des environnements pluvieux ou humides.** Si de l'eau s'introduit dans un appareil électrique, le risque de choc électrique augmentera.

- d) **N'utilisez pas le câble de manière abusive. N'utilisez jamais le câble pour transporter, tirer ou débrancher l'appareil électrique.** Veillez à garder le câble éloigné des sources de chaleur, des huiles, des rebords coupants ou des pièces actionnées. Les câbles endommagés ou entremêlés augmentent le risque de choc électrique.
- e) **Lorsque un appareil est utilisé à l'extérieur, utilisez uniquement un câble prolongateur prévu à cet effet.** L'utilisation d'un câble à usage extérieur réduit le risque de choc électrique.
- f) **Si vous êtes contraint d'utiliser un outil électrique dans un environnement humide, utilisez une alimentation protégée par un dispositif à courant résiduel (RCD).** L'utilisation d'un RCD réduit le risque de décharge électrique.
- 3) Sécurité personnelle**
- a) **Restez vigilant, gardez un œil sur ce que vous faites et utilisez votre sens commun lors de l'utilisation d'un appareil électrique. N'utilisez pas un appareil électrique si vous êtes fatigué ou si vous êtes sous l'influence de drogues, d'alcool ou si vous prenez des médicaments.** Un moment d'inattention lors de l'utilisation des appareils électriques peut entraîner des blessures graves.
- b) **Utilisez un équipement de protection personnelle. Protégez-vous toujours les yeux.** Les équipements de protection, tels qu'un masque à poussière, des chaussures antidérapantes, des protections auditives ou un casque de sécurité, utilisés dans de bonnes conditions, réduiront le risque de blessures.
- c) **Prévenez tout démarrage involontaire. Assurez-vous que l'interrupteur est sur la position "arrêt avant de brancher l'appareil.** En effet, le transport des appareils électriques en gardant vos doigts sur l'interrupteur, ou le branchement de ces appareils en ayant l'interrupteur sur "marche accidents.
- d) **Retirez les clés de réglage ou les clés de vis de réglage avant d'allumer l'appareil électrique.** Une clé de vis de réglage ou une clé, laissée sur une pièce en mouvement de l'appareil électrique, peut entraîner des lésions corporelles.
- e) **Ne pas se précipiter. Gardez toujours vos pieds à plat et gardez votre équilibre.** Ceci permet de mieux contrôler l'appareil électrique dans des situations imprévues.
- f) **Habilitez-vous convenablement. Ne portez pas de vêtements lâches ou de bijoux. Gardez vos cheveux, vêtements et gants éloignés des pièces actionnées.** En effet, ces derniers peuvent être pris dans les pièces en action.
- g) **Si les appareils sont fournis pour la connexion des équipements d'évacuation et de récupération de la poussière, assurez-vous que ces derniers soient correctement connectés et utilisés.** L'utilisation de ces appareils peut réduire les risques liés à la poussière.
- h) **Ne pensez pas être familiarisé avec l'outil après l'avoir utilisé à de nombreuses reprises, au point de ne plus rester vigilant et d'en oublier les consignes de sécurité.** Toute action imprudente peut engendrer de graves blessures en une fraction de seconde
- 4) Utilisation et entretien d'un appareil électrique**
- a) **Ne forcez pas l'appareil électrique. Utilisez l'appareil électrique adéquat pour votre application.** Un appareil électrique correctement choisi assurera un meilleur travail et un travail sans danger, au rythme auquel il a été conçu.
- b) **N'utilisez pas l'appareil électrique si l'interrupteur marche/arrêt ne fonctionne pas.** Un appareil électrique qui ne peut pas être commandé par l'interrupteur de contrôle est dangereux et doit être réparé.
- c) **Débranchez la prise du bloc d'alimentation avant d'effectuer des réglages, de changer des accessoires, ou de ranger les appareils électriques.** Ces mesures de sécurité préventives réduiront le risque de démarrage involontaire de l'appareil électrique.
- d) **Rangez les appareils électriques arrêtés hors de la portée des enfants et ne laissez aucune personne, non familiarisée avec l'outil ou ces instructions, utiliser l'appareil électrique.** Les appareils électriques sont dangereux entre les mains d'utilisateurs non formés.
- e) **Entretenez les appareils électriques. Vérifiez tout défaut d'alignement et l'enchaînement des pièces actionnées, la rupture de ces dernières, et les autres conditions qui peuvent affecter le fonctionnement des appareils électriques. En cas de dommages, faites réparer l'appareil électrique avant de le réutiliser.** Nombreux sont les accidents provoqués par des appareils électriques mal entretenus.
- f) **Veillez à garder les outils coupants aiguisés et propres.** Des outils coupants correctement entretenus avec des lames aiguisées sont moins susceptibles de se bloquer et sont plus faciles à contrôler.

- g) **Utilisez l'appareil électrique, les accessoires et les embouts, etc., conformément à ces instructions et de la manière prévue pour le type spécifique de l'appareil électrique, en prenant en compte les conditions de travail et le travail à effectuer.** L'utilisation de l'appareil électrique dans des applications différentes de celles prévues peut entraîner des situations dangereuses.
  - h) **Gardez les poignées et les surfaces de préhension sèches, propres et exemptes d'huile et de graisse.** Des poignées et des surfaces de préhension glissantes ne permettent pas de manipuler et de contrôler l'outil correctement en cas de situations inattendues.
- 5) **Maintenance**
- a) **L'entretien de votre outil électrique doit être confié à un réparateur qualifié qui utilise uniquement des pièces de rechange identiques aux pièces d'origine.** Cela permet d'assurer la sécurité de l'outil électrique

#### **AVERTISSEMENTS DE SÉCURITÉ COMMUNS AUX OPÉRATIONS DE MEULAGE ET DE DÉCOUPAGE À L'ABRASIF:**

- a) **Le carter de protection livré avec l'outil doit être correctement fixé sur l'outil électrique et positionné de sorte à garantir une sécurité maximale et que la partie du disque à nu côté opérateur soit la plus réduite possible. Éloignez-vous et les personnes à proximité du disque en rotation.** *Le carter de protection sert à protéger l'opérateur des éventuels fragments de disque et de tout contact accidentel avec le disque.*
- b) **N'utilisez que des disques de coupe en diamant avec votre outil électrique. Le fait qu'un accessoire puisse être installé sur votre outil électrique, ne garantit pas la sûreté de son fonctionnement.**
- c) **La vitesse nominale des accessoires doit être au moins égale à la vitesse maximum indiquée sur l'outil électrique.** *Les accessoires qui fonctionnent plus vite que leur vitesse nominale peuvent rompre et voler en éclats.*
- d) **Les disques ne doivent être utilisés que pour les opérations pour lesquelles ils ont été conçus. Par exemple : ne meulez pas avec le bord d'un disque tronçonner.** *Les disques à tronçonner abrasifs sont conçus pour le meulage périphérique, les forces latérales appliquées à ce disques peuvent les faire se briser.*
- e) **Veillez à toujours utiliser des brides de disques en bon état et du bon diamètre en fonction du disque utilisé.** *Des brides de disques adaptées permettent de correctement maintenir les disques tout en réduisant le risque qu'ils ne cassent.*
- f) **Ne "bloquez" pas le disque et n'appuyez pas trop dessus. Ne tentez pas de réaliser des découpes trop profondes.** *Sur-contraindre un disque augmente la charge et la possibilité de torsion, de grippage, de rebond ou de rupture pendant la découpe.*
- g) **Si le disque se coince ou si la découpe est interrompue pour une raison quelconque, éteignez l'outil électrique et tenez-le sans bouger jusqu'à ce que le disque se soit complètement arrêté. Ne tentez jamais de retirer le disque de la coupe s'il est encore en mouvement, un rebond pourrait sinon se produire.** *Cherchez la cause du coincement du disque et appliquez les actions correctives afin de la supprimer.*
- h) **Ne réentamez pas la découpe alors que le disque est dans l'ouvrage. Laissez le disque tourner à plein régime puis ré-entrez le prudemment dans la coupe.** *Le disque peut se coincer, sortir de la coupe ou rebondir si l'outil électrique est remis en marche à l'intérieur de l'ouvrage.*
- i) **Soutenez les panneaux ou les grandes pièces afin de réduire le risque de coincement ou de grippage du disque. Les grandes pièces ont tendance à s'affaisser sous leur propre poids.** *Des supports doivent être placés sous l'ouvrage, près de la ligne de coupe et sur les bords de l'ouvrage, des deux côtés du disque.*
- j) **Soyez particulièrement vigilant lorsque vous effectuez des "découpes de cavités" dans des murs existants ou que vous procédez à des découpes à l'aveugle.** *La saillie du disque peut sectionner des canalisations de gaz ou d'eau, des fils électriques ou des objets pouvant provoquer des rebonds.*

#### **Rebond et avertissements correspondants**

Le rebond est une réaction soudaine due au pincement ou à l'accrochage d'une meule, d'un plateau porte-disque, d'une brosse ou de tout autre accessoire en rotation. Le pincement ou l'accrochage provoque un blocage rapide de l'accessoire en rotation, ce qui entraîne une perte de contrôle de l'outil qui revient dans la direction opposée à la rotation de l'accessoire au point de grippage. Par exemple, si une meule abrasive est accrochée ou

pincée par la pièce à ouvrir, le bord de la meule qui pénètre dans le point de pincement peut creuser la surface du matériau causant la sortie ou l'éjection de la meule. La meule peut sauter en direction de l'opérateur, ou s'en éloigner, selon le sens de rotation de la meule au point de pincement. Les meules abrasives peuvent également se briser dans ces conditions. Le rebond résulte d'une utilisation inadéquate de l'outil et/ou de procédures ou de conditions de fonctionnement incorrectes. Il peut être évité en prenant les précautions suivantes:

- a) **Tenez fermement l'outil électrique et placez votre corps et votre bras de façon à résister aux forces de rebond. Utilisez toujours la poignée auxiliaire, si elle existe, pour un contrôle maximal du rebond ou de la réaction de couple pendant le démarrage.** *L'opérateur peut contrôler les réactions de couple ou les forces de rebond si les précautions qui s'imposent sont prises.*
- b) **Ne placez jamais votre main à proximité de l'accessoire en rotation.** *L'accessoire peut rebondir sur votre main.*
- c) **Ne vous placez pas dans la zone où l'outil électrique risque de se déplacer en cas de rebond.** *Le rebond propulse l'outil dans le sens opposé au mouvement de la meule au point d'accrochage.*
- d) **Soyez particulièrement vigilant lorsque vous travaillez dans les coins, les arêtes vives, etc. Évitez les rebondissements et les accrochages de l'accessoire.** *Les coins, les arêtes vives ou les rebondissements ont tendance à accrocher l'accessoire en rotation et à entraîner une perte de contrôle ou un rebond.*
- e) **Ne montez pas de chaîne, de lame de sculpture sur bois ou de lame de scie crantée sur l'outil.** *Ces lames provoquent des rebonds fréquents et entraînent la perte de contrôle de l'outil.*

### PRESCRIPTIONS DE SÉCURITÉ SPÉCIALES

- **Les personnes de moins de 16 ans ne doivent pas utiliser la machine.**
- **L'utilisateur ou l'opérateur doit avoir connaissance du contenu de ce manuel d'utilisation.**
- **Avant de ciseler dans des murs porteurs, consultez l'ingénieur structurel responsable, l'architecte ou le superviseur du site.**
- **Utilisez l'outil électrique uniquement lorsque la protection fournie est installée. La protection doit être fermement posée sur l'outil électrique et réglée pour garantir le meilleur niveau de sécurité**

**possible. En d'autres termes, le disque de coupe face à l'opérateur doit être protégé au maximum.**

*Elle doit protéger l'opérateur des éclats et du contact accidentel avec le disque de coupe.*

- **Utilisez uniquement des disques de coupe au diamant.** *La possibilité d'installation d'équipement dans l'outil électrique seul ne garantit pas une utilisation sûre.*
- **N'utilisez les disques de coupe au diamant que pour les tâches auxquelles ils sont destinés. Par exemple, ne meulez jamais avec la surface latérale d'un disque de coupe.** *Les disques de coupe sont conçus pour éliminer le matériau avec le bord du disque. Appliquer une force latérale peut briser ce type de disque.*
- **Utilisez toujours des brides de fixation en bon état, de taille correspondant au disque de coupe.** *Les brides appropriées soutiennent le disque et réduisent le risque de rupture.*
- **Sécurisez la surface de travail, également derrière les ouvertures et les découpes.** *Les surfaces de travail non sécurisées peuvent vous mettre en danger ainsi que d'autres personnes.*
- **Surveillez les câbles électriques ouverts et couverts, ainsi que les conduites d'eau et de gaz. Utilisez des détecteurs adaptés pour déceler les conduites et/ou les câbles de service ou contactez le fournisseur de services local pour des conseils. Le contact avec des câbles électriques peut provoquer un incendie et un choc électrique. L'endommagement d'une conduite de gaz peut provoquer une explosion. La pénétration dans une conduite d'eau peut provoquer des dommages matériels ou un choc électrique.**
- **Dans tous les cas où l'outil électrique peut toucher des câbles électriques ou son propre cordon d'alimentation, tenez-le uniquement par la poignée isolée.** *Lorsqu'elles sont en contact avec des câbles sous tension, toutes les pièces métalliques de l'outil électrique sont également sous tension, ce qui peut provoquer un choc électrique subi par l'opérateur.*
- **Évitez de créer des situations où d'autres personnes peuvent trébucher.** *Trébucher sur des câbles peut provoquer des blessures graves.*
- **Sécurisez l'ouvrage.** *Un ouvrage parfaitement maintenu par des dispositifs de fixation est plus facile à tenir en toute sécurité qu'avec la main.*
- **Évitez l'accumulation de poussière sur le lieu de travail.** *Les poussières sont facilement inflammables.*

- **Assurez une ventilation adéquate dans les pièces fermées.** Risque dû à la poussière et à une vision limitée.
- **La poussière de matériaux comme les revêtements contenant du plomb, différents types de bois, minéraux et métaux peut être nocive pour la santé et provoquer des réactions allergiques, des maladies respiratoires et/ou le cancer.** Les matériaux contenant de l'amiante ne doivent être usinés que par des spécialistes.
  - Lorsque cela est possible, utilisez un aspirateur de type industriel adapté au matériau sur lequel vous travaillez.
  - Veillez à ce que le lieu de travail soit correctement ventilé.
  - Respectez les réglementations en vigueur dans votre pays concernant les matériaux à usiner.
- **Tenez le cordon d'alimentation à l'écart des outils rotatifs en fonctionnement.** La perte de contrôle de l'outil électrique peut entraîner le sectionnement ou le coincement du cordon d'alimentation ; une main ou l'ensemble d'un bras peut également être happé dans l'outil rotatif en fonctionnement.
- **Ne portez pas l'outil électrique lorsqu'il est en rotation.** Le contact accidentel de l'outil rotatif en fonctionnement avec les vêtements peut les attraper et plonger l'outil en fonctionnement dans le corps de l'opérateur.
- **Ne commencez pas à travailler avant que l'outil électrique atteigne sa vitesse de rotation complète.**
- **N'exposez pas les disques de coupe au diamant à une pression latérale.**
- **N'utilisez jamais les disques de coupe au diamant pour du meulage grossier.**

## SÉCURITÉ ÉLECTRIQUE

Lorsque vous utilisez des machines électriques, veuillez toujours observer les consignes de sécurité locales en vigueur afin de réduire les risques d'incendie, de décharge électrique et de blessure. En plus des instructions ci-dessous, lisez entièrement les consignes de sécurité fournies avec le produit.



Vérifiez que la tension d'alimentation correspond à la tension nominale indiquée sur la plaque signalétique.



Machine de classe II - Double isolation - Vous n'avez pas besoin de prise avec mise à la terre.

Si vous êtes contraint d'utiliser un outil électrique dans un environnement humide, utilisez une alimentation protégée par un dispositif à courant résiduel (RCD). L'utilisation d'un RCD réduit le risque de décharge électrique.

## 2. INFORMATIONS RELATIVES À LA MACHINE

### Utilisation prévue

Cet outil électrique est conçu pour couper de la maçonnerie à sec (brique, blocs de calcaire, pierre non taillée) et béton. Il ne doit pas être utilisé pour la coupe humide ni pour couper du métal, du verre, du bois, etc.

### SPÉCIFICATIONS TECHNIQUES

N° de modèle	<b>WC503AC</b>
N° de modèle du disque de coupe	WC802AA
Tension de secteur	230 V~
Fréquence de secteur	50 Hz
Entrée d'alimentation	2400W
Vitesse à vide	8000 /min
Diamètre du disque	150mm
Alésage du disque	22,2mm
Épaisseur de planche	43mm
Largeur de coupe	30mm
Poids	6,2 kg
Niveau de pression acoustique (LPA)	97 + 3 dB(A)
Niveau d'intensité acoustique (LWA)	108 + 3 dB(A)
Valeur vibratoire ah	10,94 + 1,5 m/s <sup>2</sup>

### Niveau de vibrations

Le niveau des vibrations émises, indiqué dans ce manuel, a été mesuré conformément à la procédure décrite par la norme EN60745. Il peut être utilisé pour comparer deux outils ou pour réaliser une estimation préalable de l'exposition aux vibrations lors de l'utilisation de l'outil pour les applications mentionnées.



- L'utilisation de l'outil dans d'autres applications ou avec des accessoires différents ou mal entretenus peut considérablement augmenter le niveau d'exposition.
- La mise hors tension de l'outil et sa non-utilisation pendant qu'il est allumé peuvent considérablement réduire le niveau d'exposition.

Protégez-vous contre les effets des vibrations par un entretien correct de l'outil et de ses accessoires, en vous échauffant les mains et en organisant vos rythmes de travail.

Si le **cordon électrique** de cet outil électrique est endommagé, il doit être remplacé par un **cordon électrique** spécifiquement préparé et fourni par une société de service.

## DESCRIPTION

Les numéros dans le texte se rapportent aux schémas de la page 2-3.

1. Interrupteur marche/arrêt
2. Bouton de déverrouillage
3. Poignée arrière
4. Rouleau arrière
5. Cache des balais carbone
6. Boulon de lame
7. Bride extérieure
8. Disque au diamant
9. Rouleau avant
10. Rouleau avant
11. Levier de réglage en profondeur
12. Port d'extraction des poussières
13. Graduation de réglage en profondeur
14. Flexible d'aspiration

## 3. MONTAGE



*Avant le montage, mettez toujours la machine hors tension et débranchez la fiche de la prise secteur.*

### Montage et remplacement du disque (Fig. A, C, D)



*Un disque brisé ou endommagé doit être remplacé immédiatement.*



*Utilisez uniquement des disques dont la vitesse de rotation admissible est supérieure ou égale à la vitesse maximale hors charge de la machine.*

Le ciseleur mural est conçu pour fonctionner avec des disques spéciaux 3 en 1. N'utilisez que des disques approuvés par le fabricant.

1. Tenez la bride extérieure (7) à l'aide de la grande clé fournie.
2. Déposez le boulon (6) à l'aide de la petite clé fournie.  
**Remarque** : le boulon est fileté à gauche.
3. Déposez la bride extérieure (7).
4. Montez le disque (8) sur la broche. Vérifiez que la flèche sur le carter corresponde avec la flèche sur le disque (8).  
**Remarque** : la broche ne dépasse pas du trou du disque (8).
5. Posez la bride extérieure (7) dans le trou du disque. Faites tourner la bride extérieure (7) en appuyant dessus, jusqu'à ce qu'elle soit complètement serrée.
6. Serrez le boulon (6).
7. Utilisez la grande clé pour tenir la bride extérieure (7). Serrez maintenant le boulon (6) à l'aide de la petite clé.

Pour retirer le disque, suivez la procédure d'installation dans l'ordre inverse.

### Extraction de la poussière (Fig. A, F)



*Assurez-vous de la bonne aération du lieu de travail.*



*Portez un masque anti-poussière*

La poussière de certains matériaux comme les matières particulaires peut être nocive pour votre santé. Respirer cette poussière peut engendrer des réactions allergiques et/ou des maladies respiratoires aux utilisateurs et aux personnes à proximité. C'est pourquoi vous devez utiliser un système d'extraction adapté au matériau. Pour ce faire :



*L'extracteur de poussière doit être adapté à la matière aspirée.*



*Utilisez un extracteur spécial pour aspirer la poussière sèche qui est particulièrement nocive pour la santé ou cancérigène.*

Il est possible de raccorder un flexible d'aspirateur (14) sur le raccord de sortie de la poussière (12). Lorsque vous commencez à travailler, mettez d'abord

en marche le système d'extraction, par exemple un aspirateur industriel, puis le ciseleur mural. Une fois le travail terminé, procédez à l'inverse : arrêtez le ciseleur mural en premier lieu, puis l'aspirateur.



*Évitez l'accumulation de poussière sur le lieu de travail. La poussière est facilement inflammable.*

Le système d'extraction des poussières peut être obstrué par de la poussière, des copeaux ou des fragments de l'ouvrage. Il doit donc être nettoyé régulièrement. Pour ce faire :

1. Débranchez la prise de l'alimentation électrique.
2. Attendez que le disque (8) soit complètement arrêté.
3. Éliminez au besoin tout ce qui fait blocage.

## 4. FONCTIONNEMENT

### Réglage de la profondeur de coupe (Fig. B, E)



*Régalez la profondeur de ciselure avant de commencer à travailler, appareil éteint.*

1. Desserrez le levier (11) en le déplaçant vers l'arrière.
2. Réglez la profondeur de coupe voulue, comme illustré à la figure E. La profondeur est indiquée sur la graduation (13).
3. Serrez le levier (11) en le déplaçant vers l'avant.

### Mise en marche et arrêt (Fig. A)

- Pour mettre la machine en marche, enfoncez le bouton de déblocage (2) sans le relâcher tout en appuyant sur l'interrupteur marche/arrêt (1).
- Pour arrêter la machine, relâchez l'interrupteur marche/arrêt (1).

### Réaliser une coupe (Fig. A, G)



*Le ciseleur mural est conçu uniquement pour des coupes droites. La réalisation de coupes incurvées ou rondes est interdite.*



*L'outil est conçu uniquement pour des coupes à sec.*



*Tenez toujours l'outil à deux mains par les poignées isolées.*

1. Tracez des lignes pour définir la direction dans laquelle guider les disques.

2. Montez un aspirateur sur le raccord de sortie de la poussière.
3. Réglez la profondeur de coupe.
4. Positionnez le rouleau arrière (4) sur la surface du mur. À noter que le disque ne doit pas encore toucher la surface du mur.
5. Mettez le ciseleur mural en marche et attendez que les disques atteignent leur pleine vitesse de rotation.
6. Abaissez graduellement le ciseleur mural, en plongeant les disques dans la surface du mur.
7. Dès que le rouleau avant (9) repose sur la surface du mur, poursuivez la coupe et déplacez l'outil vers l'avant en l'éloignant de vous (dans la direction opposée de la rotation du disque de coupe).
8. Déplacez lentement la machine le long des lignes préalablement tracées, en appuyant fermement les roues contre le mur.

**Remarque :** N'appuyez pas trop sur la machine. Laissez-la travailler. Une pression excessive peut provoquer la surchauffe du moteur et endommager le disque de coupe.

9. Pour terminer la coupe, arrêtez la machine et attendez que les disques soient complètement arrêtés. Déposez ensuite les disques du ciseleur et posez la machine.



*Après avoir arrêté le ciseleur mural, ne forcez pas l'interruption de la rotation du disque en l'appuyant contre le matériau traité.*



*Les disques de coupe en fonctionnement peuvent chauffer à de hautes températures - ne les touchez pas avec des parties non protégées de votre corps avant qu'ils n'aient refroidi.*

**Remarque :** En coupant des matériaux très durs, le disque de coupe peut surchauffer et être endommagé en conséquence. Une quantité excessive d'étincelles autour du disque de coupe indique un état de surchauffe. Dans ce cas, cessez la coupe et refroidissez le disque en le faisant fonctionner à pleine vitesse de rotation sans charge pendant 3 à 5 minutes. Une diminution de l'efficacité de coupe et une quantité excessive constante d'étincelles autour du disque peuvent indiquer un disque de coupe émoussé.

## 5. ENTRETIEN



*Avant le nettoyage et l'entretien, mettez toujours la machine hors tension et débranchez la fiche de la prise secteur.*

Nettoyez le corps de la machine régulièrement au moyen d'un chiffon doux, de préférence après chaque utilisation. Vérifiez que les ouvertures d'aération ne sont pas obstruées ni sales. Utilisez un chiffon doux légèrement humidifié avec de la mousse de savon pour nettoyer les taches persistantes. N'utilisez pas de produits de nettoyage tels que l'essence, l'alcool, l'ammoniac, etc. ; ces produits peuvent endommager les parties synthétiques.

## ENVIRONNEMENT



*Les équipements électroniques ou électriques défectueux ou destinés à être mis au rebut doivent être déposés aux points de recyclage appropriés.*

### Uniquement pour les pays de l'UE

Ne jetez pas les outils électriques avec les déchets domestiques. Selon la Directive européenne 2012/19/CE relative aux déchets d'équipements électriques et électroniques et sa mise en œuvre dans le droit national, les outils électriques hors d'usage doivent être collectés séparément et mis au rebut de manière écologique.

## GARANTIE

Les produits VONROC sont développés aux plus hauts standards de qualité et ils sont garantis contre les défauts de pièces et de main d'œuvre pendant la durée légale stipulée à partir de la date d'achat d'origine du produit. En cas d'une quelconque panne du produit pendant cette durée qui serait due à un défaut matériel et/ou de main d'œuvre, contactez directement VONROC.

Les circonstances suivantes ne sont pas prises en charge par la garantie:

- Des réparations ou altérations ont été effectuées ou tentées sur la machine par un centre de réparation non agréé.
- L'usure normale.
- L'outil a été maltraité, mal utilisé ou mal entretenu.
- Des pièces détachées non d'origine ont été

utilisées.

Ceci constitue l'unique garantie accordée par la société explicitement ou implicitement. Il n'existe aucune autre garantie, explicite ou implicite, qui peut s'étendre au delà du contenu ici présent, y compris les garanties marchandes ou d'adaptation à des fins particulières. En aucun cas VONROC ne sera tenu responsable de dommages accidentels ou consécutifs. Les solutions proposées par les revendeurs devront se limiter à la réparation ou le remplacement des éléments ou pièces non conformes.

**Le produit et le manuel d'utilisation sont sujets à modifications. Les spécifications peuvent changer sans préavis.**

## 1. INSTRUCCIONES DE SEGURIDAD

Lea las advertencias de seguridad, las advertencias de seguridad adicionales y las instrucciones adjuntas. De no respetarse las advertencias de seguridad y las instrucciones, podrían producirse descargas eléctricas, incendios y/o lesiones graves. Conserve las advertencias de seguridad y las instrucciones para su posterior consulta.

Los siguientes símbolos se utilizan en el manual de usuario o en el producto:



Lea el manual de usuario.



Riesgo de lesiones personales.



Riesgo de descarga eléctrica.



Saque inmediatamente el enchufe de la toma si el cable eléctrico resulta dañado y durante la limpieza y el mantenimiento.



Mantenga a los presentes a una distancia prudencial de la zona de trabajo.



¡Use siempre protectores oculares!



Use protectores auditivos.



Lleve una máscara antipolvo.



Lleve gafas de seguridad.



No use bajo la lluvia.



Máquina de clase II - Doble aislamiento - No necesita enchufe con puesta a tierra.



No tire el producto en contenedores no apropiados.



El producto es conforme a las normas de seguridad aplicables según las directivas europeas.

### INSTRUCCIONES GENERALES DE SEGURIDAD



**PRECAUCIÓN!** Lea todas las advertencias de seguridad y todas las instrucciones. Si

no lo hace, el uso indebido puede acarrear cortocircuitos, fuego o lesiones graves.

#### Conserve estas instrucciones.

El término "herramienta eléctrica", en todas las advertencias enumeradas a continuación se refiere a su herramienta eléctrica (i nalámbrica) que funciona con una batería o a través de la red eléctrica.

#### 1) Área de trabajo

- Trabaje en un lugar limpio y bien iluminado.** Lugares no iluminados o sucios propician accidentes.
- No use herramientas eléctricas donde haya riesgo de fuego o explosión, p.ej: cerca de líquidos o gases inflamables, polvo etc.** Las herramientas eléctricas producen chispas que pueden producir la ignición de partículas de humo.
- Mantenga a los niños y otras personas alejados mientras utiliza la herramienta eléctrica.** Las distracciones pueden hacer que pierda el control de la herramienta.

#### 2) Seguridad eléctrica

- Cerciórese de que las clavijas de la herramienta eléctrica están correctamente enchufadas. Nunca modifique la clavija. No utilice ningún adaptador para la clavija de una herramienta eléctrica con conexión a tierra.** Las clavijas que no se hayan cambiado y los enchufes adecuados reducen el riesgo de cortocircuitos.
- Evite el contacto humano con superficies con conexiones a tierra como tubos metálicos, conductos, tubos de la calefacción, radiadores y refrigeradores.** El riesgo de cortocircuitos es mayor cuando el cuerpo está en contacto con el suelo.
- No use herramientas eléctricas bajo la lluvia o en entornos húmedos.** Si entra agua en una herramienta eléctrica aumenta el riesgo de cortocircuito.
- No utilice el cable para todo. Nunca utilice el cable para mover la máquina, empujarla o sacar la clavija del enchufe. Mantenga el cable alejado del calor, aceite, zonas cortantes o piezas en movimiento.** Los cables dañados o enredados aumentan el riesgo de cortocircuito.
- Use un cable alargador impermeable adecuado para exteriores cuando trabaje con la herramienta eléctrica al aire libre.** El riesgo de cortocircuito es menor si utiliza un cable alargador adecuado para exteriores.

- f) **Si no se puede evitar el uso de la herramienta eléctrica en un lugar húmedo, use suministro protegido mediante dispositivo diferencial residual (DDR).** El uso de un DDR reduce el riesgo de choque eléctrico.
- h) **No permita que la familiaridad adquirida con el uso frecuente de las herramientas le haga confiarse e ignorar los principios de seguridad de las herramientas.** Una acción descuidada puede causar lesiones graves en una fracción de segundo.
- 3) Seguridad personal**
- a) **No se descuide, preste atención a lo que está haciendo y utilice el sentido común mientras trabaje con esta herramienta. No use herramientas eléctricas cuando esté cansado o esté bajo los efectos del alcohol, las drogas o los medicamentos.** Un momento de distracción, mientras utilice la herramienta eléctrica, puede provocar lesiones personales graves.
- b) **Use equipo de protección individual. Use siempre gafas protectoras.** El uso en condiciones apropiadas del equipo de seguridad como por ejemplo: mascarilla antipolvo, zapatos antideslizantes de seguridad, casco o protección para los oídos, disminuye el riesgo de sufrir lesiones personales.
- c) **Evite arranques involuntarios. Asegúrese de que el interruptor está en la posición de apagado antes de conectarlo a la fuente de electricidad.** Transportar herramientas eléctricas con el dedo puesto sobre el interruptor o enchufarlas con el interruptor encendido puede causar accidentes.
- d) **Quite cualquier llave de ajuste antes de encender la herramienta eléctrica.** Una llave olvidada junto a una pieza móvil de la herramienta eléctrica puede provocar lesiones personales graves.
- e) **No se estire demasiado. Mantenga siempre el equilibrio y tenga los pies en el suelo.** Esto permite un mayor control de la herramienta eléctrica en situaciones inesperadas.
- f) **Vístase apropiadamente. No lleve prendas holgadas o joyas. Mantenga su pelo, ropa y guantes alejados de las piezas móviles.** Las prendas holgadas, las joyas y el pelo largo pueden quedar atrapados en las piezas móviles.
- g) **Si se han suministrado dispositivos para la extracción y recogida de polvo asegúrese de que estos estén conectados y se utilicen correctamente.** El uso de estos dispositivos puede reducir los riesgos relacionados con el polvo.
- h) **Mantenga las asas y las superficies de agarre secas, limpias y libres de aceite y grasa.** Las asas y las superficies de agarre resbaladizas no permiten un manejo y control seguros de la herramienta en situaciones inesperadas.
- 4) Utilización y cuidados de la herramienta eléctrica**
- a) **No fuerce la herramienta eléctrica. Utilice la herramienta eléctrica adecuada para el trabajo que vaya a realizar.** Una herramienta eléctrica apropiada realizará un trabajo mejor y más seguro si se utiliza para el objetivo con el que ha sido diseñada.
- b) **No use herramientas que no pueden encenderse o apagarse con el interruptor.** Las herramientas que ya no se puedan encender y apagar son peligrosas y deben repararse.
- c) **Desenchufe la clavija de la toma de electricidad antes de realizar modificaciones, cambiar accesorios o guardar las herramientas eléctricas.** Tales medidas de seguridad preventivas reducen el riesgo de la puesta en marcha accidental.
- d) **Mantenga a los niños alejados de una herramienta eléctrica sin utilizar y no permita a personas que no estén familiarizadas con la máquina o estas instrucciones utilizar la herramienta.** La herramienta eléctrica puede ser peligrosa cuando la utilicen personas sin experiencia.
- e) **Conserve sus herramientas cuidadosamente. Verifique cualquier desalineación o agarrotamiento de piezas móviles, piezas dañadas y cualquier otra causa, que pudiera repercutir en el buen funcionamiento de la herramienta eléctrica. Si la herramienta está estropeada, repárela antes de utilizarla.** Muchos de los accidentes están causados por un mantenimiento insuficiente del equipo eléctrico.
- f) **Mantenga las herramientas de corte limpias y afiladas.** Sierras con esquinas cortantes con un buen mantenimiento se bloquean menos y son más fáciles de controlar.
- g) **Utilice la herramienta eléctrica, accesorios y brocas etc. Siguiendo las instrucciones atendiendo al tipo de herramienta eléctrica y tenga en cuenta las condiciones de trabajo y el tipo de trabajo que se va a realizar.** Puede ser peligroso realizar trabajos con la herramienta diferentes de aquellos para los que está diseñada.

### 5) Servicio

- a) **Haga reparar su herramienta eléctrica por una persona cualificada, usando solo piezas de repuesto idénticas.** Esto garantiza que se mantenga la seguridad de la herramienta eléctrica.

### ADVERTENCIAS DE SEGURIDAD COMUNES PARA OPERACIONES DE DESBASTE O CORTE MEDIANTE DISCO ABRASIVO:

- a) **El protector debe estar bien fijado a la herramienta eléctrica y posicionado para obtener la seguridad máxima, de modo que quede la menor parte del disco expuesto hacia el operador. Usted y otras personas deben mantenerse alejados del plano del disco giratorio. El protector protege al operador de los fragmentos de disco rotos y de los accidentes por contacto con el disco.**
- b) **Use solo discos de corte diamantados en la herramienta eléctrica. El hecho de que un accesorio quede acoplado en la herramienta eléctrica no garantiza un funcionamiento seguro.**
- c) **La velocidad nominal del accesorio debe ser por lo menos igual a la velocidad máxima indicada en la herramienta eléctrica. Los accesorios que funcionen más velozmente que la velocidad nominal pueden romperse y volar en pedazos.**
- d) **Los discos deben utilizarse solamente para las aplicaciones recomendadas. Por ejemplo: no amole con la parte de corte del disco. Los discos de corte abrasivo han sido diseñados para amolado periférico, si se aplica una fuerza lateral a estos discos, se pueden astillar.**
- e) **Use siempre bridas de disco no dañadas y del diámetro correcto para el disco que haya seleccionado. Las bridas de disco correctas soportan el disco reduciendo la posibilidad de que este se rompa.**
- f) **No “atasque” el disco de corte ni ejercite una presión excesiva. No intente hacer cortes de excesiva profundidad. Si sobrecarga el disco, aumenta la carga y las probabilidades de torsión o agarrotamiento del disco durante el corte y la posibilidad de contragolpe o rotura del disco.**
- g) **Cuando el disco esté agarrotado o interrumpa un corte por algún motivo, apague la herramienta eléctrica y manténgala inmóvil hasta que el disco se detenga completamente. Nunca intente extraer el disco de corte mientras este**

**está en movimiento, pues puede producir un contragolpe. Investigue y tome las medidas correctivas necesarias para eliminar la causa de agarrotamiento del disco.**

- h) **No reinicie la operación de corte en la pieza de trabajo. Deje que el disco alcance la máxima velocidad y vuelva a entrar con cuidado en el corte. El disco puede agarrotarse, acercarse o rebotar si la herramienta eléctrica se reinicia en la pieza de trabajo.**
- i) **Coloque paneles de soporte o cualquier pieza de trabajo sobredimensionada para minimizar el riesgo de apretones y rebotes del disco. Las piezas de trabajo grandes tienden a hundirse bajo su propio peso. Deben colocarse soportes debajo de la pieza de trabajo, cerca de la línea de corte y cerca del borde de la pieza, a ambos lados del disco.**
- j) **Tome precauciones adicionales cuando haga un “corte de bolsillo” en paredes existentes u otras áreas ciegas. El disco que sobresale puede cortar tubos de gas o de agua, cableados eléctricos y objetos que pueden causar rebote.**

### Rebotes y advertencias relacionadas

El rebote es una reacción repentina a un apretón o enganchón en el disco rotatorio, plato de soporte, cepillo o cualquier otro accesorio. Los apretones o enganchones causan atascamiento del accesorio rotativo que, a su vez, hace que la herramienta eléctrica fuera de control se fuerce en la dirección contraria a la rotación del accesorio en el punto de agarrotamiento.

Por ejemplo, si el disco abrasivo engancha o aprieta la pieza de trabajo, el borde del disco que entra en el punto del apretón puede penetrar en la superficie del material haciendo que el disco se salga o expulsándolo. El disco puede saltar hacia el operador o encima de él, según sea la dirección del movimiento del disco en el punto del apretón. Los discos abrasivos también pueden romperse en estas condiciones. El rebote se produce por mal uso y/o procedimientos de funcionamiento o condiciones incorrectas y puede evitarse tomando las debidas precauciones que se indican abajo.

- a) **Mantenga aferrada firmemente la herramienta y coloque las manos y el cuerpo de modo que resistan a la fuerza de rebote. Use siempre la empuñadura auxiliar, si la hubiera, para ejercitar el máximo control contra rebote o par de reac-**

ción durante el arranque. El operador puede controlar los pares de reacción o fuerzas de rebote si adopta las debidas precauciones.

- b) **Nunca coloque las manos cerca del accesorio rotatorio.** El accesorio puede rebotar en sus manos.
- c) **No coloque el cuerpo en la zona hacia donde se puede mover la herramienta eléctrica si rebota.** El rebote impulsa la herramienta en la dirección opuesta al movimiento del disco en el punto de enganche.
- d) **Tenga especial cuidado cuando trabaje en las esquinas, aristas, etc.** Evite hacer rebotar y atascar el accesorio. Las esquinas, aristas o contragolpes tienden a atascar el accesorio rotatorio y causan pérdida de control o rebote.
- e) **No acople hojas de sierra de cadena para cortar madera u hojas de sierra dentada.** Estas hojas producen frecuentes rebotes y pérdida de control.

#### ADVERTENCIAS DE SEGURIDAD ADICIONALES

- **Los menores de 16 años no deben usar la máquina.**
- **El usuario o el operador deben estar familiarizados con el contenido de este manual de instrucciones.**
- **Antes de ranurar muros de carga, consulte con el ingeniero estructural responsable, el arquitecto o el supervisor de la obra.**
- **Use la herramienta eléctrica solo si tiene instalado el protector suministrado.** El protector debe estar bien montado en la herramienta eléctrica y ajustado para garantizar el máximo nivel de seguridad posible, de modo que la parte del disco de corte orientada hacia el operador quede lo más protegida posible. El protector debe proteger al operador contra las astillas y el contacto accidental con el disco de corte.
- **Use solo discos de corte diamantados.** La posibilidad de instalar el equipo en la herramienta eléctrica no garantiza de por sí un uso seguro.
- **Use los discos de corte diamantados solo para las tareas para los que han sido diseñados.** Por ejemplo, nunca amole con la superficie lateral de un disco de corte. Los discos de corte han sido diseñados para eliminar el material con el borde del disco. Si aplica una fuerza lateral, este tipo de discos puede romperse.
- **Use siempre bridas de fijación no dañadas y del tamaño adecuado para el disco de corte.** Las bridas correctas sujetan el disco de corte y reducen el riesgo de rotura.
- **Asegure el área de trabajo, también detrás de las aberturas y cortes.** Áreas de trabajo no seguras pueden representar un peligro para usted y para otras personas.
- **Tenga cuidado con los cables eléctricos abiertos y ocultos, y con las tuberías de agua y gas.** Use detectores adecuados para encontrar tuberías y/o cables de servicios públicos ocultos, o solicite información a las empresas locales de servicios. El contacto con los cables eléctricos puede causar incendios y una descarga eléctrica. Si se daña un tubo de gas puede producirse una explosión. Si se perfora un tubo de agua pueden producirse daños a la propiedad o una descarga eléctrica.
- **En todos los casos en que la herramienta eléctrica pueda entrar en contacto con cables eléctricos ocultos o con su propio cable durante el funcionamiento, sujétela solo por la empuñadura aislada.** Al entrar en contacto con cables bajo tensión, todas las partes metálicas de la herramienta eléctrica se cargan y puede producirse una descarga eléctrica al operador.
- **Evite situaciones por las que otras personas puedan tropezar o caerse.** Tropezar con cables puede causar lesiones graves.
- **Sujete la pieza de trabajo.** Una pieza de trabajo sujeta en un dispositivo de sujeción o tornillo de banco está más segura que sujeta con la mano.
- **Evite la acumulación de polvo en el lugar de trabajo.** Los polvos pueden inflamarse fácilmente.
- **Asegure una ventilación adecuada en los lugares cerrados.** Existen riesgos debidos al polvo y a la alteración de la visión.
- **El polvo de materiales tales como los revestimientos con contenido de plomo y de diferentes tipos de madera, minerales y metales puede ser perjudicial para la salud y causar reacciones alérgicas, enfermedades respiratorias y/o cáncer.** Los materiales que contienen amianto pueden ser mecanizados solo por especialistas.
  - Siempre que sea posible, utilice un aspirador de tipo industrial adecuado para el material con el que esté trabajando.
  - Compruebe que el lugar de trabajo esté correctamente ventilado.
  - Respete las normas vigentes en su país para los materiales que vaya a mecanizar.

- **Mantenga el cable alejado de las herramientas de trabajo giratorias.** *La pérdida de control de la herramienta eléctrica puede hacer que el cable de corriente se corte o quede atrapado, y también la mano o el brazo entero pueden quedar atrapados en la herramienta de trabajo giratoria.*
- **No transporte la herramienta eléctrica cuando esté girando.** *El contacto accidental de la herramienta de trabajo giratoria con la ropa puede hacer que esta quede atrapada y tire del cuerpo del operador hacia la herramienta de trabajo.*
- **No empiece a trabajar antes de que la herramienta eléctrica alcance la velocidad máxima de giro.**
- **No someta los discos diamantados de corte en seco a ninguna presión lateral.**
- **Nunca use los discos diamantados de corte en seco para amolado grueso.**

### Seguridad eléctrica

Cuando use máquinas eléctricas observe siempre las normas de seguridad aplicables en su país para reducir el riesgo de incendios, descargas eléctricas y lesiones personales. Lea las siguientes instrucciones de seguridad y las instrucciones de seguridad adjuntas.



*Compruebe siempre que la tensión de la fuente de energía corresponda con la tensión de la etiqueta de la placa de datos.*



*Máquina de clase II - Doble aislamiento - No necesita enchufe con puesta a tierra.*

Si no se puede evitar el uso de la herramienta eléctrica en un lugar húmedo, use suministro protegido mediante dispositivo diferencial residual (DDR). El uso de un DDR reduce el riesgo de choque eléctrico.

## 2. INFORMACION DE LA MAQUINA

### Uso previsto

Esta herramienta eléctrica ha sido diseñada para el corte en seco de mampostería (ladrillo, bloques de cal-arena, piedra sin revestir) y hormigón. No debe utilizarse para el corte en húmedo ni para corte de metal, vidrio, madera, etc.

## ESPECIFICACIONES TECNICAS

N.º modelo	WC503AC
N.º modelo disco de corte	WC802AA
Alimentación de red	230 V~
Frecuencia de alimentación	50 Hz
Potencia de entrada	2400W
Velocidad sin carga	8.000 /min
Diámetro disco	150mm
Orificio disco	22.2mm
Profundidad máxima de corte	43mm
Ancho de corte	30mm
Peso	6.2 kg
Nivel de presión acústica LpA	97 + 3 dB(A)
Nivel de potencia acústica LwA	108 + 3 dB(A)
Vibración ah	10.94 + 1.5 m/s <sup>2</sup>

### Nivel de vibración

El nivel de emisión de vibraciones indicado en este manual de instrucciones ha sido medido según una prueba estándar proporcionada en EN 60745; puede utilizarse para comparar una herramienta con otra y como valoración preliminar de la exposición a las vibraciones al utilizar la herramienta con las aplicaciones mencionadas:

- al utilizarla para distintas aplicaciones o con accesorios diferentes o con un mantenimiento deficiente, podría aumentar de forma notable el nivel de exposición;
- en las ocasiones en que se apaga la herramienta o cuando está funcionando pero no está realizando ningún trabajo, se podría reducir el nivel de exposición de forma importante.

Protéjase contra los efectos de la vibración realizando el mantenimiento de la herramienta y sus accesorios, manteniendo sus manos calientes y organizando sus patrones de trabajo.

Si el **cable de alimentación** de esta herramienta eléctrica se daña, debe ser sustituido con un **cable de alimentación** especialmente preparado, disponible a través de la organización de servicio.



## DESCRIPCIÓN

Los números del texto se refieren a los diagramas de las páginas 2-3.

1. Interruptor de Encendido/Apagado
2. Interruptor de bloqueo
3. Pernos de la guía
4. Rodillo trasero
5. Tapa de la escobilla de carbón
6. Perno de la cuchilla
7. Brida exterior
8. Disco diamantado
9. Rodillo delantero
10. Empuñadura frontal
11. Palanca de ajuste de profundidad
12. Conexión para la extracción de polvo
13. Escala de ajuste de profundidad
14. Manguera aspirador

## 3. MONTAJE



*Antes del montaje, apague siempre la máquina y saque el enchufe de la toma.*

### Colocación y sustitución del disco (Fig. A, C, D)



*Si el disco está roto o dañado, hay que sustituirlo inmediatamente.*



*Use solo discos con velocidad de rotación permitida mayor o igual a la velocidad máxima en vacío de la máquina.*

La ranuradora de paredes ha sido diseñada para funcionar con discos especiales 3 en 1. Use solo los discos aprobados por el fabricante.

1. Sujete la brida exterior (7) con la llave grande suministrada.
2. Extraiga el perno (6) con la llave hexagonal pequeña suministrada.  
**Nota:** el perno tiene rosca izquierda.
3. Extraiga la brida exterior (7).
4. Monte el disco (8) en el husillo. Compruebe que la flecha de la carcasa coincida con la flecha del disco (8).  
**Nota:** el husillo no sobresale del orificio.
5. Coloque la brida exterior (7) en el orificio del disco. Gire la brida exterior (7) presionándola a la vez, hasta que quede totalmente apretada.
6. Apriete el perno (6).
7. Use la llave grande para sujetar la brida exterior

(7). Ahora apriete el perno (6) con la llave pequeña.

Para extraer el disco, siga el procedimiento de colocación en secuencia inversa.

### Extracción de polvo (Fig. A, F)



*El lugar de trabajo debe tener una buena ventilación.*



*Use protección contra el polvo.*

El polvo de ciertos materiales, como las partículas, puede ser perjudicial para la salud. La inhalación de este polvo puede provocar reacciones alérgicas y/o enfermedades respiratorias al usuario o a las personas que se encuentren cerca. Por lo tanto, debe utilizar un sistema de extracción de polvo adecuado para el material. Para hacerlo:



*El extractor de polvo debe ser adecuado para el material con el que esté trabajando.*



*Si aspira polvo seco especialmente perjudicial para la salud o cancerígeno, debe usar un extractor de polvo especial.*

Puede conectar la manguera de un aspirador (14) en la salida de polvo (12). Cuando empiece a trabajar, encienda primero el sistema de aspiración de polvo, por ejemplo, un aspirador industrial, y después encienda la ranuradora de paredes. Cuando haya terminado el trabajo, proceda en modo inverso: apague primero la ranuradora de paredes y después el aspirador.



*Evite la acumulación de polvo en el lugar de trabajo. El polvo puede inflamarse fácilmente.*

El sistema de extracción de polvo puede bloquearse con el polvo, las virutas o los fragmentos de la pieza de trabajo. Por lo tanto, hay que limpiarlo periódicamente. Para hacerlo:

1. Desconecte el enchufe de la fuente de alimentación.
2. Espere a que el disco (8) se detenga por completo.
3. Elimine cualquier obstrucción, si es necesario.

## 4. MANEJO

### Ajuste de la profundidad de corte (Fig. B, E)



*Ajuste la profundidad de ranurado antes de empezar a trabajar y con el aparato apagado.*

1. Afloje la palanca (11) moviéndola hacia atrás.
2. Ajuste la profundidad de corte deseada, como se muestra en la figura E. La profundidad se puede leer en la escala (13).
3. Apriete la palanca (11) moviéndola hacia delante.

### Encendido y apagado (Fig. A)

- Para encender la máquina, mantenga pulsado el botón de bloqueo (2) y después pulse el interruptor de encendido/apagado (1).
- Para apagar la máquina, suelte el interruptor de encendido/apagado (1).

### Realización de un corte (Fig. A, G)



*La ranuradora de paredes ha sido diseñada para realizar solo cortes rectos. No está permitido realizar cortes curvos o redondos.*



*La herramienta ha sido diseñada para realizar solo cortes en seco.*



*Sujete siempre la herramienta con ambas manos, por las empuñaduras aisladas.*

1. Dibuje unas líneas para definir la dirección por la cual guiar los discos.
2. Conecte un aspirador en la salida de polvo.
3. Ajuste la profundidad de corte.
4. Coloque el rodillo trasero (4) en la superficie de la pared. Tenga en cuenta que el disco aún no debe tocar la superficie de la pared.
5. Encienda la ranuradora de paredes y espere a que los discos alcancen la velocidad de rotación máxima.
6. Baje gradualmente la ranuradora de paredes, hundiendo los discos en la superficie de la pared.
7. Tan pronto como el rodillo delantero (9) se apoye en la superficie de la pared, siga cortando y mueva la ranuradora de paredes acercándola y alejándola de usted (en dirección opuesta a la rotación del disco de corte).

8. Mueva lentamente la máquina por las líneas dibujadas previamente, presionando firmemente los discos contra la pared.

**Nota:** No ejerza demasiada presión sobre la máquina. Deje que la máquina haga el trabajo. Si aplica una presión excesiva, el motor puede sobrecalentarse y se puede dañar el disco de corte.

9. Para finalizar el corte, apague la máquina y espere a que los discos se detengan por completo. Después saque los discos de la ranuradora y deje la máquina apoyada.



*Después de apagar la ranuradora de paredes, no fuerce el frenado del disco giratorio presionándolo contra el material procesado.*



*Los discos de corte se calientan a altas temperaturas durante su funcionamiento, no los toque con ninguna parte del cuerpo no protegida antes de que se enfríen.*

**Nota:** Cuando corte materiales muy duros, el disco de corte puede sobrecalentarse y dañarse. Si se producen chispas excesivas alrededor del disco de corte, significa que se ha producido un sobrecalentamiento. En este caso, deje de cortar y enfríe el disco haciéndolo funcionar a la máxima velocidad de rotación sin carga durante 3-5 minutos. La disminución de la eficacia del corte y el exceso de chispas constantes alrededor del disco de corte indican que el disco está desafilado.

## 5. MANTENIMIENTO



*Antes de realizar la limpieza y el mantenimiento, apague siempre la máquina y extraiga el enchufe de la red de alimentación.*

Limpie regularmente la carcasa de la máquina con un pano suave, preferentemente después de cada uso. Compruebe que los orificios de ventilación estén libres de polvo y suciedad. Elimine el polvo persistente utilizando un pano suave humedecido con agua y jabón. No use disolventes tales como gasolina, alcohol, amoníaco, etc. Tales productos químicos pueden dañar los componentes sintéticos.

## MEDIOAMBIENTE



*Los aparatos eléctricos o electrónicos defectuosos y/o desechados deben recogerse en lugares de reciclado apropiado.*

### **Solo para países de la Comunidad Europea**

No elimine las herramientas eléctricas como residuos domésticos. De acuerdo con la Directiva europea 2012/19/CE sobre residuos de aparatos eléctricos y electrónicos, y su transposición a las legislaciones nacionales, las herramientas eléctricas que ya no se utilizan deben recogerse por separado y eliminarse en modo ecológico.

## CONDICIONES DE GARANTÍA

Los productos VONROC han sido desarrollados con los más altos estándares de calidad y VONROC garantiza que están exentos de defectos relacionados con los materiales y la fabricación durante el periodo legalmente estipulado, a contar desde la fecha de compra original. En caso de que el producto presente defectos relacionados con los materiales y/o la fabricación durante este periodo, póngase directamente en contacto VONROC.

La presente garantía se excluye en los siguientes casos:

- Si centros de servicios no autorizados han realizado o han intentado realizar reparaciones y/o alteraciones a la máquina.
- Si se ha producido un desgaste normal.
- Si la herramienta ha sido mal tratada o usada en modo impropio, o se ha realizado incorrectamente su mantenimiento.
- Si se han utilizado piezas de repuesto no originales.

La presente constituye la única garantía implícita y explícita que ofrece la compañía. No existen otras garantías explícitas o implícitas que excedan las citadas aquí, incluidas las garantías implícitas de comerciabilidad e idoneidad para una finalidad en especial. VONROC no será considerada responsable en ningún caso por daños incidentales o consecuentes. Los recursos a disposición de los distribuidores se limitan a la reparación o a la sustitución de las unidades o piezas no conformes.

**El producto y el manual de usuario están sujetos a variaciones. Las especificaciones pueden variarse sin previo aviso.**

## 1. ISTRUZIONI DI SICUREZZA

Leggere le avvertenze di sicurezza contenute nel presente manuale, le avvertenze di sicurezza aggiuntive e le istruzioni. La mancata osservanza delle avvertenze di sicurezza e delle istruzioni potrebbe causare scosse elettriche, incendi e/o lesioni gravi. Conservare le avvertenze di sicurezza e le istruzioni per una futura consultazione.

I simboli riportati di seguito vengono utilizzati all'interno del manuale per l'utente oppure sono indicati sul prodotto:



*Leggere il manuale per l'utente.*



*Denota il rischio di lesioni personali, morte o danni all'utensile in caso di mancata osservanza delle istruzioni contenute nel presente manuale.*



*Rischio di scosse elettriche.*



*Staccare immediatamente la spina del cavo di alimentazione dalla presa di corrente se il cavo è danneggiato e durante le operazioni di pulizia e di manutenzione.*



*Rischio di oggetti volanti. Tenere lontano chiunque si trovi nelle vicinanze dall'area di lavoro.*



*Indossare sempre occhiali protettivi!*



*Indossare protezioni per l'udito.*



*Indossare una mascherina anti-polvere.*



*Indossare guanti di protezione.*



*Ne pas utiliser sous la pluie.*



*Machine de classe II - Double isolation - Vous n'avez pas besoin de prise avec mise à la terre.*



*Non smaltire il prodotto in contenitori non idonei.*



*Il prodotto è conforme alle norme di sicurezza vigenti ai sensi delle direttive europee.*

## REGOLE GENERALI DI SICUREZZA



**ATTENZIONE! Leggere tutte le avvertenze di sicurezza e tutte le istruzioni.** Se non si seguono tutte le istruzioni sotto elencate, si può incorrere in uno shock elettrico, in un incendio e/o in lesioni serie.

### Conservare queste istruzioni.

Il termine "arnese elettrico" in tutti gli avvertimenti sotto elencati si riferisce al vostro arnese elettrico che funziona a corrente (con filo) o ad un arnese che funziona a pile (senza filo).

#### 1) Area di lavoro

- Mantenere l'area di lavoro pulita e ben illuminata.** Aree buie e disordinate favoriscono gli incidenti.
- Non usare arnesi elettrici in atmosfere esplosive, come vicino ai liquidi infiammabili, gas o polveri.** Gli arnesi elettrici creano scintille che possono incendiare la polvere dei vapori.
- Tenere lontani bambini e altre persone mentre si accende l'arnese elettrico.** Le distrazioni possono farvi perdere il controllo.

#### 2) Sicurezza elettrica

- Le spine dell'arnese elettrico devono andare bene per la presa di corrente. Non modificare mai la spina in alcun modo. Non usare alcun adattatore con arnesi elettrici a terra (messo a terra).** Spine non modificate che vanno bene per le prese di corrente ridurranno il rischio di shock elettrico.
- Evitare il contatto corporeo con superfici a terra come tubature, radiatori, fornelli e frigoriferi.** C'è un rischio maggiore di shock elettrico se il vostro corpo è a terra.
- Non esporre arnesi elettrici alla pioggia o a condizioni di umidità.** Se dell'acqua penetra nell'arnese elettrico aumenterà il rischio di shock elettrico.
- Non abusare del filo. Non usare mai il filo per trasportare, spingere o staccare dalla presa l'arnese elettrico. Tenere il filo lontano da calore, olio, bordi taglienti o parti mobili.** Fili danneggiati o aggrovigliati aumentano il rischio di shock elettrico.
- Quando si accende un arnese elettrico all'aperto, usare una prolunga adatta a tale uso.** Usare un filo adatto all'uso all'aperto ridurrà il rischio di shock elettrico.

- f) **Se non è possibile evitare l'uso di un elettrotensile in ambiente umido, usare una rete di alimentazione protetta da un interruttore differenziale (salvavita).** L'uso di un salvavita riduce il rischio di scosse elettriche.
- 3) Sicurezza personale**
- a) **Stare vigili e attento quando si accende un arnese elettrico. Non usare un arnese elettrico mentre si è stanco o sotto l'effetto di droghe, alcool o medicinali.** Un momento di disattenzione mentre si accendono arnesi elettrici può causare delle gravi lesioni personali.
- b) **Usare dispositivi di protezione individuale. Indossare sempre una protezione per gli occhi.** Dispositivi di sicurezza come mascherina per la polvere, scarpe di sicurezza antiscivolo, casco, o protezioni per le orecchie usate nelle appropriate condizioni, ridurranno le lesioni personali.
- c) **Prevenire l'avvio accidentale. Assicurarsi che l'interruttore sia spento prima di collegarsi.** Trasportare elettrotensili tenendo il dito sull'interruttore di accensione o dare corrente ad elettrotensili con l'interruttore acceso può dare luogo a incidenti.
- d) **Rimuovere ogni chiave regolatrice o chiave per dadi prima di accendere l'arnese elettrico.** Una chiave per dadi o una chiave lasciata attaccata ad una parte rotante dell'arnese elettrico può provocare lesioni personali.
- e) **Cercare di mantenere l'equilibrio. Mantenere sempre un punto d'appoggio appropriato.** Questo consente un controllo migliore dell'arnese elettrico in situazioni inaspettate.
- f) **Vestirsi adeguatamente. Non indossare vestiti larghi o gioielli. Tenere lontano capelli, vestiti e guanti dalle parti mobili.** Vestiti larghi, gioielli o capelli lunghi possono essere presi nelle parti mobili.
- g) **Se vengono forniti dispositivi per la connessione dell'estrazione della polvere e attrezzature di raccolta, assicurarsi che questi siano collegati e usati correttamente.** L'uso di questi dispositivi può ridurre i rischi correlati alla polvere.
- h) **Non lasciare che la confidenza acquisita dall'uso frequente induca l'utilizzatore ad assumere comportamenti imprudenti e a ignorare i principi di sicurezza per l'utensile.** Una semplice distrazione può provocare gravi lesioni personali in una frazione di secondo.
- 4) Uso e manutenzione dell'arnese elettrico**
- a) **Non forzare l'arnese elettrico. Usare l'arnese elettrico corretto per il vostro impiego.** L'arnese elettrico corretto farà il lavoro meglio e in maniera più sicura alla velocità per la quale è stato progettato.
- b) **Non usare l'arnese elettrico se l'interruttore non si accende o non si spegne.** Ogni arnese elettrico che non può essere controllato con l'interruttore è pericoloso e deve essere riparato.
- c) **Scollegare la spina dalla sorgente di elettricità prima di fare qualsiasi regolazione, cambiare gli accessori, o conservare arnesi elettrici.** Tali misure di sicurezza preventive riducono il rischio di accendere l'arnese elettrico accidentalmente.
- d) **Conservare gli arnesi elettrici inattivi fuori dalla portata dei bambini e non permettere a persone che non hanno confidenza con l'arnese elettrico o con queste istruzioni di usare l'arnese elettrico.** Gli arnesi elettrici sono pericolosi per utenti inesperti.
- e) **Mantenere gli arnesi elettrici. Controllare il non allineamento o l'attacco di parti mobili, la rottura di parti ed ogni altra condizione che può influire sul funzionamento degli arnesi elettrici. Se è danneggiato, far riparare l'arnese elettrico prima dell'uso.** Molti incidenti sono causati da arnesi elettrici mantenuti male.
- f) **Mantenere gli arnesi da taglio affilati e puliti.** È meno probabile che si attacchino degli arnesi da taglio mantenuti correttamente con tagli affilate e questi sono anche più facili da controllare.
- g) **Usare l'arnese elettrico, gli accessori e le parti dell'arnese ecc, secondo queste istruzioni e nel modo pensato per il particolare tipo di arnese elettrico, tenendo conto delle condizioni di lavoro e del lavoro da svolgere.** L'uso dell'arnese elettrico per operazioni diverse da quelle pensate potrebbe causare situazioni pericolose.
- h) **Mantenere le impugnature e le superfici di presa asciutte, pulite e libere da olio e grasso.** Impugnature e superfici di presa scivolose non consentono di maneggiare e controllare in sicurezza l'utensile in situazioni impreviste.
- 5) Riparazione**
- a) **L'assistenza per l'elettrotensile deve essere prestata da un tecnico qualificato che utilizzi soltanto ricambi originali.** In questo modo viene garantita la sicurezza dell'elettrotensile.

## AVVERTENZE DI SICUREZZA SPECIFICHE PER LE OPERAZIONI DI MOLATURA O TAGLIO ABRASIVO:

- a) **La protezione in dotazione con l'utensile deve essere fissata saldamente all'elettrotensile e posizionata in modo da garantire la massima sicurezza, facendo sì che il disco sporga il meno possibile verso l'operatore. Posizionare se stessi e gli astanti lontano dal piano del disco rotante. La protezione serve a proteggere l'operatore da frammenti di dischi rotti e dal contatto accidentale con il disco.**
- b) **Utilizzare dischi di taglio diamantati per il proprio elettrotensile. Il fatto che un accessorio possa essere fissato all'elettrotensile, non ne garantisce la sicurezza di utilizzo.**
- c) **La velocità nominale dell'accessorio deve essere almeno pari alla velocità massima indicata sull'elettrotensile. Gli accessori che girano a una velocità maggiore rispetto alla loro velocità nominale possono rompersi e andare in mille pezzi.**
- d) **I dischi devono essere usati solo per eseguire le lavorazioni per cui sono raccomandate. Per esempio, non molare utilizzando il disco dal lato di taglio. I dischi per taglio abrasivo sono progettati per la smerigliatura periferica. Forze laterali applicate a questi dischi possono causarne la frantumazione.**
- e) **Per i dischi utilizzare sempre flange non danneggiate, del diametro corretto per il disco scelto. Se le flange sono appropriate, sostengono il disco, riducendo la possibilità di rottura.**
- f) **Non far incastrare il disco da taglio né applicare una pressione eccessiva. Non tentare di eseguire tagli troppo profondi. Eccessive sollecitazioni del disco ne aumentano il carico e la suscettibilità alla torsione o all'inceppamento nel taglio, con la possibilità di contraccolpi o di rotture.**
- g) **Quando il disco si inceppa o quando un taglio si interrompe per qualsiasi ragione, spegnere l'elettrotensile e tenerlo immobile fino al suo completo arresto. Non tentare mai di rimuovere il disco mentre è in movimento, altrimenti potrebbe verificarsi un contraccolpo. Esaminare e intraprendere azioni correttive per eliminare le cause che inceppano la lama.**
- h) **Non riprendere il taglio nel pezzo in lavorazione. Far raggiungere la massima velocità al disco e poi rientrare con attenzione nel taglio. Se**

*l'elettrotensile viene riavviato quando è ancora dentro al pezzo in lavorazione il disco potrebbe incepparsi, scavalcare il pezzo o subire un contraccolpo.*

- i) **Pannelli o altri pezzi di grandi dimensioni devono essere sorretti per ridurre al minimo il rischio che la mola si schiacci o subisca un contraccolpo. I pezzi più grandi tendono a incurvarsi sotto il loro stesso peso. È opportuno collocare dei supporti sotto al pezzo da entrambi i lati, vicino la linea di taglio e alle estremità del pannello, da entrambi i lati del disco.**
- j) **Prestare ancora più attenzione quando si eseguono "tagli a tuffo" all'interno di pareti esistenti o di altre aree cieche. La parte sporgente del disco potrebbe tagliare tubi del gas o dell'acqua, cavi elettrici od oggetti che possono provocare un contraccolpo.**

### Contraccolpo e relative avvertenze

Il contraccolpo è una reazione improvvisa provocata da un disco, un platorello, una spazzola o qualsiasi altro accessorio in rotazione che rimanga schiacciato o impigliato. Ciò provoca un arresto immediato dell'accessorio rotante che a sua volta causa la perdita di controllo dell'elettrotensile, che viene spinto nella direzione opposta rispetto alla rotazione dell'accessorio nel punto in cui è stato trattenuto. Ad esempio, se il disco abrasivo rimane schiacciato o impigliato dal pezzo da lavorare, il bordo del disco penetrato nel punto di schiacciamento può scavare nel materiale e causare lo scavalcamento o il contraccolpo del disco. Il disco può saltare sia verso l'operatore che in direzione opposta a seconda della direzione del movimento del disco nel punto di schiacciamento. In queste condizioni i dischi abrasivi possono anche rompersi. Il contraccolpo è il risultato di un uso errato dell'elettrotensile e/o di metodi o condizioni di lavoro scorretti e può essere evitato prendendo le appropriate precauzioni, come descritto di seguito.

- a) **Mantenere una presa salda sull'elettrotensile, posizionando il corpo e le braccia in modo da resistere alle forze di contraccolpo. Utilizzare sempre l'impugnatura ausiliaria, se presente, per avere il massimo controllo sulla forza di contraccolpo o sulla reazione di coppia durante l'avviamento. Con le necessarie precauzioni, l'operatore può controllare le reazioni di coppia e le forze di contraccolpo.**

- b) **Non porre mai le mani vicino all'accessorio in rotazione.** *L'accessorio potrebbe subire un contraccolpo rimbalzando sulle mani dell'operatore.*
- c) **Non posizionarsi nell'area verso cui potrebbe dirigersi l'elettrotensile in caso di contraccolpo.** *Il contraccolpo spinge l'elettrotensile nella direzione opposta al movimento del disco nel punto in cui si impiglia.*
- d) **Prestare particolare attenzione quando si lavorano angoli, estremità appuntite ecc. Evitare che l'accessorio rimbalzi o si impigli.** *Angoli, estremità appuntite o rimbalzi tendono a fare impigliare l'accessorio rotante, provocando la perdita di controllo o il contraccolpo dell'elettrotensile.*
- e) **Non collegare una lama da motosega per legno o una lama dentata.** *Queste lame creano contraccolpi e perdita di controllo frequenti.*

#### ISTRUZIONI DI SICUREZZA AGGIUNTIVE

- **I minori di 16 anni non possono usare questa macchina.**
  - **L'utilizzatore o l'operatore deve conoscere il contenuto di questo manuale di istruzioni.**
  - **Prima eseguire scanalature in muri portanti consultare l'ingegnere strutturale, l'architetto o il capo cantiere responsabile.**
  - **Utilizzare l'elettrotensile solo se la protezione in dotazione è installata. La protezione deve essere montata saldamente sull'elettrotensile e regolata in modo da garantire il miglior livello di sicurezza possibile, il che significa che la parte del disco di taglio rivolta verso l'operatore deve essere schermata il più possibile.** *La protezione deve riparare l'operatore dalle schegge e dal contatto accidentale con un disco di taglio.*
  - **Usare solo dischi di taglio diamantati.** *La possibilità di installare un accessorio nell'elettrotensile da solo non garantisce l'uso sicuro.*
  - **Utilizzare dischi di taglio diamantati solo per le finalità per le quali sono stati progettati. Ad esempio, non eseguire mai lavori di smerigliatura utilizzando la superficie laterale di un disco di taglio. I dischi di taglio sono progettati per rimuovere il materiale con il bordo del disco.** *L'applicazione di una forza laterale potrebbe provocare la rottura di un disco di questo tipo.*
  - **Utilizzare sempre flange di fissaggio non danneggiate con dimensioni adatte al disco di taglio.**
- Le flange adeguate sostengono il disco di taglio e riducono il rischio di rottura.*
- **Mettere in sicurezza l'area di lavoro, anche dietro aperture e tagli.** *Le aree di lavoro non protette possono mettere in pericolo l'operatore e altre persone.*
  - **Prestare attenzione ai cavi elettrici scoperti e nascosti, così come alle tubature dell'acqua e del gas. Utilizzare appositi rilevatori per individuare i tubi e/o i cavi delle utenze nascosti, oppure rivolgersi a un'azienda di fornitura di acqua, luce e gas della zona per una consulenza. Il contatto con cavi elettrici può provocare incendi e scossa elettrica. Un tubo del gas danneggiato può causare un'esplosione. La perforazione di un tubo dell'acqua provoca danni materiali o potrebbe causare una scossa elettrica.**
  - **Ogniquale volta sussista la possibilità che l'elettrotensile colpisca fili elettrici nascosti o il proprio cavo di alimentazione durante l'uso, afferrarlo solo dall'impugnatura isolata. Se l'elettrotensile viene a contatto con fili sotto tensione, anche tutte le sue parti metalliche sono sotto tensione e questo può causare la folgorazione dell'operatore.**
  - **Evitare di provocare situazioni in cui altre persone possano inciampare o cadere.** *Inciampare sui cavi può causare gravi lesioni personali.*
  - **Fissare il pezzo in lavorazione.** *Un pezzo in lavorazione fissato saldamente in dispositivi di serraggio o in una morsa è bloccato in modo più sicuro di quanto lo sia se tenuto in mano.*
  - **Evitare che si accumulino polveri nel luogo di lavoro.** *La polvere può incendiarsi facilmente.*
  - **Garantire una ventilazione sufficiente nei locali chiusi.** *Rischio dovuto alla polvere e vista ridotta.*
  - **Le polveri di materiali come i rivestimenti contenenti piombo, diversi tipi di legno, minerali e metalli possono essere dannose per la salute e causare reazioni allergiche, malattie respiratorie e/o tumori. Il materiale contenente amianto può essere lavorato solo da personale specializzato.**
    - *Ove possibile, utilizzare un aspiratore di tipo industriale adatto al materiale a cui si sta lavorando.*
    - *Assicurarsi che il luogo di lavoro sia adeguatamente arieggiato.*
    - *Rispettare le normative pertinenti in vigore nel proprio Paese per i materiali da lavorare.*
  - **Tenere il cavo di alimentazione a distanza da utensili in funzione che girano.** *La perdita di*

controllo dell'elettrotensile può comportare che il cavo di alimentazione venga tagliato o agganciato; inoltre la mano o l'intero braccio dell'operatore potrebbero finire nell'utensile di lavoro che gira.

- **Non trasportare l'elettrotensile mentre è in funzione.** Il contatto dell'utensile in funzione con gli indumenti potrebbe comportare che esso vi si agganci e si conficchi nel corpo dell'operatore.
- **Non iniziare a lavorare prima che l'elettrotensile raggiunga la massima velocità di rotazione.**
- **Non esporre i dischi diamantati per taglio a secco a una pressione laterale.**
- **Non utilizzare mai dischi diamantati per taglio a secco per la sgrossatura.**

### Sicurezza elettrica

Quando si utilizzano apparecchi elettrici, osservare sempre le norme di sicurezza vigenti nel proprio paese per ridurre il rischio di incendi, scosse elettriche e lesioni personali. Leggere le istruzioni di sicurezza riportate di seguito oltre a quelle allegate al presente manuale.



Verificare sempre che la tensione della rete di alimentazione corrisponda al valore riportato sulla targhetta dei valori nominali dell'elettrotensile.



Apparecchio di Classe II - Doppio isolamento - Non è necessario il collegamento a terra.

Se non è possibile evitare l'uso di un elettrotensile in ambiente umido, usare una rete di alimentazione protetta da un interruttore differenziale (salvavita). L'uso di un salvavita riduce il rischio di scosse elettriche.

## 2. INFORMAZIONI RELATIVE ALL'APPARECCHIO

### Uso previsto

Questo elettrotensile è progettato per il taglio a secco di muratura (mattoni, blocchi di calce-sabbia, pietra grezza) e calcestruzzo. Non deve essere utilizzato per il taglio a umido o per eseguire tagli in metallo, vetro, legno, ecc.

### DATI TECNICI

Modello n.º	WC503AC
Modello n.º Disco da taglio	WC802AA
Tensione di rete	230 V~
Fréquence de secteur	50 Hz
Potenza assorbita	2400W
Velocità a vuoto	8000 /min
Diametro del disco	150mm
Alesaggio del disco	22,2mm
Profondità max. di taglio	43mm
Larghezza di taglio	30mm
Peso	6,2 kg
Livello pressione sonora (LPA)	97 + 3 dB(A)
Livello potenza sonora (LWA)	108 + 3 dB(A)
Vibrazioni ah	10,94 + 1,5 m/s <sup>2</sup>

### Livello delle vibrazioni

Il livello di emissione delle vibrazioni indicato sul retro di questo manuale di istruzioni è stato misurato in conformità a un test standardizzato stabilito dalla norma EN 60745; questo valore può essere utilizzato per mettere a confronto un l'utensile con un altro o come valutazione preliminare di esposizione alla vibrazione quando si impiega l'utensile per le applicazioni menzionate.

- se si utilizza l'utensile per applicazioni diverse, oppure con accessori differenti o in scarse condizioni, il livello di esposizione potrebbe aumentare notevolmente.
- i momenti in cui l'utensile è spento oppure è in funzione ma non viene effettivamente utilizzato per il lavoro, possono contribuire a ridurre il livello di esposizione.

Proteggersi dagli effetti della vibrazione effettuando la manutenzione dell'utensile e dei relativi accessori, mantenendo le mani calde e organizzando i metodi di lavoro.

Se il **cavo di alimentazione** di questo elettrotensile risulta danneggiato, deve essere sostituito con un **cavo di alimentazione** appositamente predisposto disponibile tramite la ditta di assistenza.



## DESCRIZIONE

I numeri che compaiono nel testo si riferiscono agli schemi riportati alle pagine 2-3.

1. Interruttore On/Off
2. Interruttore di blocco di sicurezza
3. Impugnatura posteriore
4. Rullo posteriore
5. Coperchio spazzole in carbonio
6. Bullone di fissaggio della lama
7. Flangia esterna
8. Disco diamantato
9. Rullo anteriore
10. Rullo anteriore
11. Leva di regolazione profondità
12. Porta per l'estrazione di polveri
13. Scala di regolazione profondità
14. Tubo flessibile di aspirazione

## 3. MONTAGGIO



*Prima del montaggio spegnere sempre l'elettrotensile e staccare la spina dalla presa di corrente.*

### Fissaggio e sostituzione del disco (Fig. A, C e D)



*Un disco rotto o danneggiato deve essere sostituito immediatamente.*



*Utilizzare solo dischi la cui velocità di rotazione consentita sia superiore o uguale alla velocità massima a vuoto della macchina.*

Questa scanalatrice da muro è progettata per l'uso con dischi speciali 3 in 1. Utilizzare esclusivamente i dischi approvati dal produttore.

1. Tenere ferma la flangia esterna (7) utilizzando la chiave grande in dotazione.
2. Rimuovere il bullone (6) utilizzando la chiave piccola in dotazione.  
**Nota:** la filettatura del bullone è sinistrorsa.
3. Rimuovere la flangia esterna (7).
4. Inserire il disco (8) sul mandrino. Assicurarsi che la freccia sull'alloggiamento corrisponda alla freccia sul disco (8).  
**Nota:** il mandrino non sporge dal foro del disco (8).
5. Inserire la flangia esterna (7) nel foro del disco e ruotarla tenendola premuta, fino a quando è completamente serrata.

6. Serrare il bullone (6).
7. Utilizzare la chiave grande per tenere ferma la flangia esterna (7). A questo punto serrare il bullone (6), utilizzando la chiave piccola.

Per rimuovere il disco seguire la procedura di installazione in ordine inverso.

### Aspirazione delle polveri (Fig. A e F)



*Fornire una buona ventilazione sul posto di lavoro.*



*Indossare una mascherina.*

Le polveri prodotte da alcuni materiali, come ad esempio il particolato, possono essere dannose per la salute. L'inalazione di questa polvere può causare reazioni allergiche e/o causare malattie respiratorie per l'utilizzatore o le persone che si trovano nelle immediate vicinanze. Per questo motivo è necessario utilizzare un sistema di aspirazione delle polveri adatto al materiale. Procedere come descritto di seguito:



*Il dispositivo di aspirazione delle polveri.*



*Durante l'aspirazione di polvere secca particolarmente dannosa per la salute o cancerogena, utilizzare un dispositivo di aspirazione delle polveri specifico.*

Alla presa per l'aspirazione delle polveri (12) può essere collegato il tubo flessibile di un dispositivo di aspirazione (14). Quando si inizia a lavorare, accendere prima l'impianto di aspirazione delle polveri (ad esempio un aspiratore industriale) e successivamente la scanalatrice da muro. A lavoro finito procedere in ordine inverso: spegnere prima la scanalatrice muro e successivamente il dispositivo di aspirazione.



*Evitare che si accumuli polvere nel luogo di lavoro. La polvere può facilmente incendiarsi.*

L'impianto di aspirazione delle polveri può essere ostruito da polvere, schegge o frammenti di pezzi in lavorazione, pertanto, deve essere pulito regolarmente. Procedere come descritto di seguito:

1. Staccare la spina dalla presa di corrente.
2. Attendere fino al completo arresto del disco (8).
3. Rimuovere le eventuali ostruzioni, se necessario.

## 4. UTILIZZO

### Regolazione della profondità di taglio (Fig. B ed E)



*Impostare la profondità del taglio prima di iniziare a lavorare e con la macchina spenta.*

1. Allentare la leva (11) spostandola indietro.
2. Impostare la profondità di taglio desiderata, come mostrato nella Figura E. La profondità può essere letta sull'apposita scala graduata (13).
3. Serrare la levetta (11) spostandola in avanti.

### Accensione e spegnimento (Fig. A)

- Per accendere l'elettrotensile, mantenere premuto il pulsante di sblocco (2) e contemporaneamente premere l'interruttore on/off (1).
- Per spegnere l'elettrotensile, rilasciare l'interruttore on/off (1).

### Esecuzione di un taglio (Fig. A e G)

La scanalatrice da muro è progettata solo per eseguire tagli dritti. Non è consentito eseguire tagli curvi o circolari.



*L'utensile è progettato solo per l'esecuzione di tagli a secco.*



*Sorreggere sempre l'elettrotensile con entrambe le mani sulle impugnature isolate.*

1. Tracciare una linea per definire la direzione in cui guidare i dischi di taglio.
2. Collegare un dispositivo di aspirazione delle polveri all'apposita presa.
3. Impostare la profondità di taglio.
4. Posizionare il rullo posteriore (4) sulla superficie del muro. Si noti che il disco non dovrebbe ancora toccare la superficie del muro.
5. Accendere la scanalatrice da muro e attendere che i dischi di taglio raggiungano la massima velocità di rotazione.
6. Abbassare gradualmente la scanalatrice da muro, immergendo i dischi nella superficie del muro.
7. Appena il rullo anteriore (9) si appoggia sulla superficie della parete, continuare con il taglio e spostare la scanalatrice da muro in avanti e lontano da sé (nella direzione opposta rispetto alla direzione di rotazione del disco di taglio).

8. Muovere lentamente la macchina lungo la linea pre-tracciata, premendo con decisione i dischi di taglio contro la parete.

**Nota:** non esercitare troppa pressione sulla macchina. Lasciare che sia la macchina a svolgere il lavoro. Una pressione eccessiva può provocare il surriscaldamento del motore e danneggiare il disco di taglio.

9. Per terminare il taglio spegnere la macchina e attendere che i dischi si siano arrestati completamente. A questo punto estrarre i dischi dalla scanalatura e posare la macchina.



*Una volta spenta la scanalatrice da muro, non forzare l'arresto del disco premendo contro il materiale in lavorazione.*



*Durante l'uso i dischi di taglio si riscaldano raggiungendo alte temperature. Evitare il contatto con parti del corpo non protette prima che si raffreddino.*

**Nota:** quando si tagliano materiali molto duri, il disco di taglio può surriscaldarsi e di conseguenza danneggiarsi. La formazione eccessiva di scintille intorno al disco di taglio è indice di surriscaldamento. Se compare, interrompere il processo di taglio e fare raffreddare il disco facendolo girare a vuoto a piena velocità di rotazione per 3-5 minuti. Una riduzione dell'efficienza di taglio e scintille eccessive e costanti attorno al disco di taglio possono indicare che il disco di taglio è smussato.

## 5. MANUTENZIONE



*Prima di eseguire qualsiasi operazione di pulizia e intervento di manutenzione spegnere sempre l'elettrotensile e staccare la spina dalla presa di corrente.*

Pulire regolarmente il corpo dell'elettrotensile con un panno morbido, preferibilmente dopo ogni uso. Assicurarsi che le prese d'aria siano libere da polvere e sporcizia. Rimuovere lo sporco particolarmente ostinato con un panno morbido inumidito con acqua e sapone. Non utilizzare solventi come benzina, alcol, ammoniaca, ecc. Le sostanze chimiche di questo tipo danneggiano i componenti sintetici.

## RISPETTO AMBIENTALE



*Le apparecchiature elettriche o elettroniche difettose e/o scartate devono essere raccolte presso gli opportuni siti di riciclaggio.*

### Solo per i Paesi CE

Non smaltire gli elettrodomestici insieme ai rifiuti domestici. Secondo la Direttiva europea 2012/19/ EC sui rifiuti delle apparecchiature elettriche ed elettroniche e relativa implementazione nelle normative locali, gli elettrodomestici ormai inutilizzabili devono essere raccolti separatamente e smaltiti in modo ecologico.

## DEFINIZIONI DELLA GARANZIA

I prodotti VONROC sono sviluppati secondo i più elevati standard di qualità e viene garantita l'assenza di difetti nei materiali e nella manodopera per il periodo contrattuale a partire dalla data di acquisto originale. Qualora il prodotto dovesse subire un guasto qualsiasi durante questo periodo a causa di difetti nei materiali e/o nella manodopera, si prega di contattare direttamente il VONROC.

Le seguenti circostanze sono escluse da questa garanzia:

- Riparazioni e/o modifiche alla macchina sono state eseguite o tentate da centri di assistenza non autorizzati.
- Normale usura.
- L'utensile è stato abusato, utilizzato o manutenu- to in modo improprio.
- Sono state utilizzate parti di ricambio non originali.

Ciò costituisce l'unica garanzia espressa o implicita fornita dall'azienda. Non esistono altre garanzie espresse o implicite che si estendono oltre il presente documento, ivi comprese le garanzie implicite di commerciabilità e idoneità per uno scopo particolare. In nessun caso VONROC sarà responsabile di eventuali danni incidentali o consequenziali. I rime- di dei rivenditori saranno limitati alla riparazione o sostituzione di unità o parti non conformi.

**Il prodotto e il manuale per l'utente sono soggetti a modifiche. I dati tecnici possono essere modificati senza ulteriore notifica.**

## 1. SÄKERHETSFÖRESKRIFTER

Läs de medföljande säkerhetsvarningarna, de tillkommande säkerhetsvarningarna och anvisningar- na. Om inte säkerhetsvarningarna och anvisningar- na följs kan detta orsaka elstötar, brand och/eller allvarliga kroppsskador. Behåll säkerhetsvarningar- na och anvisningarna för framtida bruk.

Följande symboler används i bruksanvisningen eller på produkten:



*Läs igenom bruksanvisningen.*



*Anger risk för personskada, dödsfall eller skada på verktyget om anvisningarna i denna handbok inte följs.*



*Risk för elstöt.*



*Dra omedelbart ut nätkontakten ur vägguttaget om nätsladden skadas och även under rengöring och underhåll.*



*Risk för flygande föremål. Håll kringstående borta från arbetsområdet.*



*Använd alltid ögonskydd!*



*Använd hörselskydd.*



*Använd skyddsmask.*



*Använd skyddshandskar.*



*Använd inte i regn.*



*Klass II-maskin - dubbel isolering - du behöver ingen jordad kontakt.*



*Släng inte produkten i olämpliga behållare.*



*Produkten är i överensstämmelse med tillämpliga säkerhetsstandarder i EU-direk- tiven.*

## ALLMÄNNA SÄKERHETSFÖRESKRIFTER FÖR ELVERKTYG



**WARNING! Läs alla säkerhetsvarningar och alla anvisningar.** Underlåtenhet att följa varningar och instruktioner kan resultera i elstötar, brand och/eller allvarliga skador.

Spara alla varningar och instruktioner för framtida referens.

Uttrycket "elverktyg" i varningarna avser ditt nätanslutna (med sladd) verktyg eller batteridrivna (sladdlösa) elektriska verktyg.

### 1) Arbetsplats säkerhet

- Håll arbetsplatsen ren och välbelyst.** Belamrade eller mörka områden inbjuder till olyckor.
- Använd inte elektriska verktyg i explosiva atmosfärer, såsom i närvaro av lättantändliga vätskor, gaser eller damm.** Elverktyg skapar gnistor som kan antända damm eller ångor.
- Håll barn och åskådare borta medan du arbetar med ett elverktyg.** Om du blir distraherad kan du tappa kontrollen.

### 2) Elsäkerhet

- Verktygets elkontakt måste passa till vägguttaget. Ändra inte kontakten på något sätt. Använd inte adapterkontakter med jordade elverktyg.** Omodifierade kontakter och matchande uttag minskar risken för elektrisk stöt.
- Undvik kroppskontakt med jordade ytor såsom rör, värmeelement, spisar och kylskåp.** Det finns en ökad risk för elektrisk stöt om din kropp är jordansluten eller jordad.
- Utsätt inte elektriska verktyg för regn eller väta.** Vatten som tränger in i ett elverktyg ökar risken för elstöt.
- Hantera inte elkabeln felaktigt. Använd aldrig sladden för att bära, dra eller koppla bort elverktyget från uttaget. Håll sladden borta från värme, olja, vassa kanter eller rörliga delar.** Skadade eller tilltrasslade sladdar ökar risken för elektrisk stöt.
- När du arbetar med ett elverktyg utomhus, använd en förlängningssladd som passar för utomhusanvändning.** Användning av en sladd som passar för utomhusanvändning minskar risken för elektrisk stöt.
- Om arbete med ett elverktyg i en fuktig lokal är oundvikligt, använd ett uttag som är skyddat**

**med jordfelsbrytare (RCD).** Användning av jordfelsbrytare minskar risken för elstöt.

### 3) Personlig säkerhet

- Var uppmärksam, kontrollera vad du gör och använd sunt förnuft när du arbetar med ett elektriskt verktyg. Använd inte ett elverktyg när du är trött eller påverkad av droger, alkohol eller medicinering.** Ett ögonblicks uppmärksamhet under arbetet kan resultera i allvarliga personskador.
  - Använd personlig skyddsutrustning. Bär alltid ögonskydd.** Skyddsutrustning såsom dammfilterskydd, halksäkra säkerhetsskor, skyddshjälm eller hörselskydd som används för lämpliga förhållanden minskar personskador.
  - Förebygg oavsiktlig igångsättning. Se till att strömbrytaren är i avstängd position innan anslutning till strömkällan och/eller batteriet, verktyget lyfts upp eller bärs.** Om du bär elverktyg med ditt finger på strömbrytaren eller ansluter ett påkopplat elverktyg till nätströmmen kan en olycka inträffa.
  - Avlägsna eventuell justeringsnyckel eller skiftnyckel innan du sätter på elverktyget.** En skiftnyckel eller en nyckel som sitter kvar på en roterande del av elverktyget kan resultera i personskada.
  - Böj dig inte för långt. Bibehåll alltid ordentlig fotfäste och balans.** Detta möjliggör bättre kontroll av elverktyget i oväntade situationer.
  - Bär lämpliga kläder. Använd inte vida kläder eller smycken. Håll hår, kläder och handskar borta från rörliga delar.** Lösa kläder, smycken eller långt hår kan fastna i rörliga delar.
  - Om enheten är försedd med anslutning av dammsug och uppsamlingsmöjlighet, se till att dessa är anslutna och används korrekt.** Dammupptagning minskar dammrelaterade risker.
  - Låt inte erfarenheten som uppnås vid frekvent användning av verktyg låta dig bli för självsäker och ignorera verktygsäkerhetsprinciperna.** En oförsiktig handling kan orsaka allvarliga skador under bråkdelen av en sekund.
- ### 4) Användning och skötsel av elverktyg
- Tvinga inte elverktyget. Använd rätt slags elektriska verktyg för ditt arbete.** Rätt elverktyg gör arbetet bättre och säkrare vid den hastighet som det har konstruerats för.

- b) **Använd inte elverket om strömbrytaren inte sätter på och stänger av det.** Ett elverktyg som inte kan kontrolleras med strömbrytaren är farligt och måste repareras.
  - c) **Dra ur kontakten från strömkällan och/eller batteriet från elverket innan du gör några justeringar, byter tillbehör eller lägger undan elverket för förvaring.** Sådana förebyggande säkerhetsåtgärder minskar risken att oavsiktligt starta elverket.
  - d) **Förvara elverket oåtkomliga för barn och låt inte personer som är obekanta med verktyget eller dessa instruktioner använda verktyget.** Elektriska verktyg är farliga i händerna på oerfarna användare.
  - e) **Underhåll elektriska verktyg. Kontrollera för feljustering eller om rörliga delar har fastnat, bristning hos delar och andra eventuella förhållanden som kan komma att påverka elverkets funktion. Om det är skadat, se till att elverket blir reparerat före användning.** Många olyckor orsakas av dåligt underhållna elektriska verktyg.
  - f) **Håll kapverktyg vassa och rena.** Korrekt underhållna kapverktyg med vassa kanter är mindre troliga att kärva och lättare att kontrollera.
  - g) **Använd elverket, dess tillbehör och verktyg i enlighet med dessa instruktioner och under beaktande av arbetsförhållandena och det arbete som ska utföras.** Användning av elverket för andra uppgifter än vad som avsetts kan resultera i farliga situationer.
  - h) **Se till att handtagen är torra, rena och fria från olja och fett.** Hala handtag och greppytor tillåter inte säker hantering och kontroll av verktyget i oväntade situationer.
- 5) Service**
- a) **Se till att ditt elverktyg får service av en kvalificerad reparatör, som endast använder identiska ersättningsdelar.** Detta säkerställer att elverkets säkerhet upprätthålls.

## **SÄKERHETSVARNINGAR GEMENSAMMA FÖR SLIPNING OCH KAPSLIPNING:**

- a) **Skyddet som följer med verktyget måste vara säkert fastsatt på verktyget och positionerat för maximal säkerhet, så att så liten del av skivan som möjligt är exponerad mot operatören. Placera dig själv och eventuella åskådare på avstånd från den roterande slipskivan. Skyddet**

*bidrar till att skydda användaren från skivfragment som lossnar och mot oavsiktlig kontakt med skivan.*

- b) **Använd endast diamantkapskivor till ditt elverktyg. Bara för att ett tillbehör kan fästas på ditt elverktyg garanterar det inte säker drift.**
- c) **Den nominella hastigheten på tillbehöret måste vara minst lika med den maximala hastigheten märkt på elverket. Tillbehör som körs snabbare än sitt nominella varvtal kan gå sönder och flyga isär.**
- d) **Skivor får endast användas för rekommenderade tillämpningar. Slipa till exempel inte med sidan av en kapskiva. Kapskivor med slipfunktion är avsedda för perifer slipning. Om de utsätts för sidotryck kan de brytas sönder.**
- e) **Använd alltid oskadade slipskivflänsar som är av rätt diameter för den valda slipskivan. Rätt skivflänsar stöder skivan och därmed minskar risken för skivbrott.**
- f) **Se till att kapskivan inte kommer i kläm och utsätt den inte för högt tryck. Försök inte skära för djupt. Överbelastning av skivan ökar belastningen och känsligheten för vridning eller bindning av skivan i snittet och ökar risken för kast eller skivbrott.**
- g) **Om skivan kommer i kläm eller arbetet avbryts av någon anledning, koppla från elverket och håll det stadigt tills skivan stannar helt. Försök aldrig avlägsna slipskivan från arbetsstycket medan slipskivan är i rörelse, det kan leda till kast. Utred och vidta korrigerande åtgärder för att undanröja orsaken till att skivan fastnar.**
- h) **Starta inte om kapningen om elverket är i arbetsstycket. Låt skivan uppnå fullt varvtal och för försiktigt in den i skärspåret. I annat fall kan skivan klämmas fast, hoppa ur arbetsstycket eller orsaka rekyl.**
- i) **Stöd skivor eller andra överdimensionerade arbetsstycken för att minimera risken för att slipskivan kläms och kast. Stora arbetsstycken tenderar att ge efter till följd av sin egen vikt. Stöd måste därför placeras under arbetsstycket, nära skärspåret och vid kanten, på båda sidor om skivan.**
- j) **Var extra försiktig när du gör en "ficka" i befintliga väggar eller andra blinda områden. Den utstickande skivan kan kapa gas- eller vattenledningar, elledningar eller föremål som kan orsaka kast.**

### Rekyl och relaterade varningar

Rekyl är en plötslig reaktion på en klämd eller fastkörd roterande skiva, slippplatta, borste eller något annat tillbehör. Klämning eller fastkörning orsakar snabb överstegring hos det roterande tillbehöret, vilket i sin tur tvingar det okontrollerade elverktyget i motsatt riktning mot tillbehörets rotation vid punkten där det kommer i kläm. Om en slipskiva till exempel fastnar eller kläms fast i arbetsstycket kan skivans kant som går in i en klämpunkt gräva in sig i materialets yta, vilket kan orsaka att skivan går av. Skivan kan antingen hoppa mot eller från användaren, beroende på skivans rörelseriktning vid punkten där det fastnar. Slipskivor kan också gå sönder under dessa förhållanden. Rekyl är ett resultat av verktygsmissbruk och/eller felaktiga arbetsprocedurer eller förhållanden och kan undvikas genom tillämpning av försiktighetsåtgärderna som beskrivs nedan.

- a) **Ha ett stadigt grepp om elverktyget och placera din kropp och arm på ett sätt som gör att du ta upp rekylkrafterna. Använd alltid stödhandtag om sådana finns för maximal kontroll över rekyl- och momentreaktioner under igångsättning. Användaren kan ha kontroll över momentreaktioner och rekylkrafter om rätt försiktighetsåtgärder vidtas.**
- b) **Placera aldrig din hand nära det roterande tillbehöret. Tillbehöret kan rekylera över din hand.**
- c) **Placera inte din kropp i området dit elverktyget kommer att röra sig i händelse av rekyl. Rekylkraften driver verktyget i motsatt riktning mot slipskivans rörelse vid punkten där det fastnar.**
- d) **Var särskilt försiktig när du bearbetar hörn, skarpa kanter osv. Undvik att låta tillbehöret studsas eller fastna. Hörn, skarpa kanter och studsning har en tendens att få det roterande tillbehöret att fastna och orsaka förlust av kontroll eller rekyl.**
- e) **Montera inte en sågkedja för träkarvning eller ett tandat sågblad. Sådana blad orsakar ofta rekyl och förlust av kontroll.**

### YTTERLIGARE SÄKERHETSVARNINGAR

- **Personer under 16 år får inte använda maskinen.**
- **Användaren eller operatören måste vara bekant med innehållet i denna bruksanvisning.**
- **Innan du fräser i bärande väggar, rådgör med ansvarig byggnadsingenjör, arkitekt eller platsövervakare.**

- **Använd endast elverktyget när det medföljande skyddet är installerat. Skyddet ska vara säkert monterat på elverktyget och justerat för att garantera bästa möjliga säkerhetsnivå, vilket innebär att kapskivans del som är vänd mot operatören måste skärmas så mycket som möjligt. Skyddet måste skydda operatören mot splitter och oavsiktlig kontakt med kapskivan.**
- **Använd endast diamantkapskivor. Möjligheten till installation av utrustning i elverktyget enbart garanterar inte säker användning.**
- **Använd endast diamantkapskivor för uppgifter de är avsedda för. Slipa till exempel aldrig med sidoytan på en kapskiva. Kapskivor är utformade för att ta bort material med skivkant. Användning av sidokraft kan göra sönder skivor av denna typ.**
- **Använd alltid oskadade fästflänsar med storlek som matchar kapskivan. Rätt flänsar stödjer kapskivan och minskar risken för brytning.**
- **Säkra arbetsområdet, även bakom öppningar och urtag. Osäkrade arbetsområden kan utsätta dig och andra människor för fara.**
- **Se upp för öppna och dolda elkablar samt vatten- och gasledningar. Använd lämpliga detektorer för att hitta dolda ledningar och/eller kablar, eller kontakta ett lokalt nätbolag för råd. Kontakt med elkablar kan orsaka bränder och elstötar. Skador på ett gasrör kan orsaka en explosion. Att tränga in i ett vattenrör orsakar skador på egendom eller kan orsaka en elektrisk stöt.**
- **Närhelst elverktyget kan träffa dolda elektriska ledningar eller sin egen nätsladd under drift, håll det endast i det isolerade handtaget. Vid kontakt med strömförande ledningar alla metalldelar av elverktyget är också strömförande, detta kan orsaka elstöt för operatören.**
- **Undvik att orsaka situationer där andra människor kan snubbla eller halka. Att snubbla över kablar kan orsaka allvarliga skador.**
- **Säkra arbetsstycket. Ett arbetsstycke som hålls fast i klämanordningar eller ett skruvstöd hålls säkrare än i handen.**
- **Undvik ansamling av damm på arbetsplatsen. Damm kan lätt antändas.**
- **Säkerställ tillräcklig ventilation i slutna rum. Risk på grund av damm och nedsatt syn.**
- **Damm från material som beläggningar som innehåller bly, flera träslag, mineraler och metaller kan vara hälsovådligt och orsaka allergiska reaktioner, luftvägssjukdomar och/eller cancer. Asbesthaltigt material får bara bearbetas**

av specialister.

- Om möjligt, använd en dammsugare av industrityp som passar det material du arbetar med.
- Se till att apparaten är korrekt ventilerad
- Följ gällande föreskrifter i ditt land för de material som ska bearbetas.
- **Håll sladden borta från roterande arbetsverktyg.** Förlorad kontroll över elverktyget kan leda till kapning av eller fastnande i strömsladden, även hand eller hel arm kan komma in i roterande arbetsredskap.
- **Bär inte elverktyg när det roterar.** Oavsiktlig kontakt av roterande arbetsverktyg med kläder kan orsaka att de fastnar och skjuter arbetsredskap i operatörens kropp.
- **Börja inte arbeta innan elverktyget har nått sin fulla rotationshastighet.**
- **Utsätt inte diamanntorrkapskivor för sidotryck.**
- **Använd aldrig torrkapskivor av diamanntorrkapskivor av diamanntorrkapskivor för grovslipning.**

### Elsäkerhet

Följ alltid säkerhetsföreskrifterna som gäller i ditt land när du arbetar med elverktyg för att minska risken för brand, elstöt och personskada. Läs följande säkerhetsanvisningar och även de medföljande säkerhetsanvisningarna.



Kontrollera alltid att strömspänningen motsvarar spänningen som anges på märketiketten.



Klass II-maskin - dubbel isolering - du behöver ingen jordad kontakt.

Använd jordfelskydd (RCD) om arbete med ett elverktyg i fuktig miljö är oundvikligt. Användning av RCD minskar risken för elstöt.

## 2. MASKININFORMATION

### Avsedd användning

Det här elverktyget är utformat för torrkapning i murverk (tegel, kalksandblock, obearbetad sten) och betong. Det får inte användas för våtkapning eller för snitt i metall, glas, trä etc.

### TEKNISKA SPECIFIKATIONER

Modellnr maskin	WC503AC
Modellnr. kapskiva	WC802AA
Strömspänning	230 V~
Strömfrekvens	50 Hz
Ineffekt	2400W
Varvtal utan belastning	8.000 /min
Skivdiameter	150mm
Skivhål	22.2mm
Max. skärdiup	43mm
Skärbredd	30mm
Vikt	6.2 kg
Ljudtrycknivå LPA	97 + 3 dB(A)
Ljudeffektnivå LWA	108 + 3 dB(A)
Vibration ah	10.94 + 1.5 m/s <sup>2</sup>

### Vibrationsnivå

Vibrationsemissionsvärdet som står på baksidan av den här instruktionsboken har uppmätts enligt ett standardiserat test i enlighet med EN 60745; detta värde kan användas för att jämföra vibrationen hos olika verktyg och som en ungefärlig uppskattning av hur stor vibration användaren utsätts för när verktyget används enligt det avsedda syftet:

- om verktyget används på ett annat än det avsedda syftet eller med fel eller dåligt underhållna tillbehör kan detta drastiskt öka vibrationsnivån;
- när verktyget stängs av eller är på men inte används, kan detta avsevärt minska vibrationsnivån.

Skydda dig mot vibration genom att underhålla verktyget och dess tillbehör, hålla händerna varma och styra upp ditt arbetssätt.

Om **strömsladden** är skadad måste den bytas ut mot en speciellt preparerad **strömsladd** som finns att få genom serviceorganisationen.

## BESKRIVNING

Siffrorna i texten hänvisar till diagrammen på sidorna 2-3.

1. Växelbrytare
2. Låsknapp
3. Bakre handtag
4. Bakre rulle
5. Lock för kolborste
6. Bladbult
7. Yttre fläns
8. Diamantkiva
9. Främre rulle
10. Främre handtag
11. Djupjusteringsspak
12. Dammsugningsuttag
13. Djupjusteringsskala
14. Vakuumslang

## 3. MONTERING



*Innan montering ska du alltid stänga av maskinen och dra ut nätkontakten ur vägguttaget.*

### Montering och byte av skivan (Fig. A, C, D)



*En trasig eller skadad skiva måste bytas ut omedelbart.*



*Använd endast skivor vars tillåtna rotations-hastighet är högre eller lika med maskinens maximala tomgångshastighet.*

Spårfräsen är designad för att fungera med speciella 3-i-1-skivor. Använd endast skivor som godkända av tillverkaren.

1. Håll den yttre flänsen (7) med den medföljande stora nyckeln.
2. Ta bort bulten (6) med den medföljande lilla nyckeln.  
**Notera:** bulten har en vänstergänga.
3. Ta bort den yttre flänsen (7).
4. Montera skivan (8) på spindeln. Se till att pilen på huset motsvarar pilen på skivan (8).  
**Obs:** spindeln sticker inte ut genom skivans hål (8).
5. Sätt in den yttre flänsen (7) i skivans hål. Vrid den yttre flänsen (7) samtidigt som du trycker på den tills den är helt åtdragen.
6. Dra åt bulten (6).

7. Håll den yttre flänsen (7) med den stora nyckeln. Dra nu åt bulten (6) med den lilla nyckeln.

För att ta ut skivan, följ installationsproceduren i omvänd ordning.

### Dammsugning (Fig. A, F)



*Säkerställ ventilation på arbetsplatsen.*



*Använd dammskydd.*

Dammet från vissa material som till exempel partiklar kan vara skadligt för din hälsa. Andning i detta damm kan orsaka allergiska reaktioner och/eller orsaka andningssjukdomar för användaren eller människor i närheten. Därför måste ett dammsugningssystem som är lämpligt för materialet användas. Gör så här:



*Dammsugaren måste vara lämplig för det material som bearbetas.*



*När du dammsuger torrt damm som är särskilt skadligt för hälsan eller är cancerframkallande, använd en specialdammsugare.*

En dammsugarslang (14) kan anslutas till dammloppet (12). När du börjar arbeta, slå först på dammsugningssystemet, t.ex. industridammsugare, slå sedan på spårfräsen. När arbetet är klart, fortsätt omvänt – stäng först av spårfräsen och sedan dammsugaren.



*Undvik ansamling av damm på arbetsplatsen. Damm kan lätt antändas.*

Dammsugningssystemet kan blockeras av damm, flis eller fragment av arbetsstycket. Därför måste det rengöras regelbundet. Gör så här:

1. Koppla bort maskinen från elnätet.
2. Vänta tills skivan (8) har stannat helt.
3. Ta bort eventuella blockeringar vid behov.

## 4. ANVÄNDNING

### Justering av skärdjup (Fig. B, E)



*Ställ in spårdjupet innan du börjar arbeta och med enheten avstängd.*



1. Lossa spaken (11) genom att flytta den bakåt.
2. Justera till önskat skärdjup, enligt figur E. Djupet kan avläsas på skalan (13).
3. Dra åt spaken (11) genom att flytta den framåt.

### Slå på och stänga av (Fig. A)

- Håll låsknappen (2) intryckt och tryck samtidigt på strömbrytaren (1) för att sätta igång maskinen.
- Släpp strömbrytaren (1) för att stänga av maskinen.

### Göra ett snitt (Fig. A, G)



*Spårfräsen är endast avsedd för raka snitt. Att göra böjda eller runda snitt är inte tillåtet.*



*Verktyget är endast avsett för torra snitt.*



*Håll alltid verktyget med två händer i de isolerade handtagen.*

1. Rita linjer för att definiera i vilken riktning skivorna ska styras.
2. Montera en dammsugare på dammutloppet.
3. Ställ in skärdjupet.
4. Placera den bakre rullen (4) på väggytan. Observera att skivan ännu inte ska vidröra väggytan.
5. Slå på spårfräsen och vänta tills skivorna når full rotationshastighet.
6. Sänk gradvis ned spårfräsen, sänk ner skivorna i väggytan.
7. Så fort den främre rullen (9) vilar på väggytan, fortsätt med snittet och flytta spårfräsen framåt och bort från dig (i motsatt riktning mot rotationen av kapskivan).
8. Flytta långsamt maskinen längs de förritade linjerna, tryck skivorna fast mot väggen.

**Notera:** Tryck inte för hårt på maskinen. Låt maskinen göra arbetet. Att applicera för högt tryck kan orsaka överhettning av motorn och skada på kapskivan.

9. För att avsluta skärningen, stäng av maskinen och vänta tills skivorna har stannat helt. Ta sedan bort skivorna från fräsen och lägg ner maskinen.



*Efter att ha stängt av spårfräsen, tvinga inte bromsning av den roterande skivan genom att trycka den mot bearbetat material.*



*Kapskivor värms upp till höga temperaturer under drift – rör dem inte med oskyddade delar av din kropp innan de har svalnat.*

**Notera:** Vid skärning av mycket hårda material kan kapskivan överhettas och skadas som följd. För stora gnistor runt kapskivan tyder på överhettning. När den dyker upp, sluta skära och kyl ner skivan genom att köra den med full rotationshastighet utan belastning i 3–5 minuter. En minskning av skäreffektiviteten och konstanta överdrivna gnistor runt kapskivan kan tyda på en trubbig kapskiva.

## 5. UNDERHÅLL



*Stäng alltid av maskinen och ta ut strömkontakten från strömkällan inna rengöring och underhåll.*

Rengör maskinen hus regelbundet med en mjuk trasa, helst efter varje gång du använder maskinen. Se till att ventilationsöppningarna är fria från damm och smuts. Ta bort mycket ihållande smuts med en mjuk trasa fuktad med tvällösning. Använd inte lösningsmedel som bensin, alkohol, ammoniak osv. Sådana kemikalier skadar de syntetiska komponenterna.

## MILJÖ



*Felaktig och/eller kasserad elektrisk eller elektronisk utrustning måste lämnas in på lämpliga återvinningsstationer.*

### Endast för EU-länder

Släng inte elverktyg i hushållsavfallet. Enligt det europeiska WEEE-direktivet 2012/19/EU för avfall från elektrisk och elektronisk utrustning och dess tillämpning nationellt ska elverktyg som inte längre kan användas samlas in separat och kasseras på ett miljövänligt sätt.

## GARANTI

VONROC produkter är utvecklade enligt högsta kvalitetsstandard och garanteras vara utan defekter både vad gäller material och tillverkning under den period som stipuleras enligt lag med början från ursprungligt inköpsdatum. Om något fel uppstår på produkten under denna period på grund av material- och/eller tillverkningsfel skall VONROC kontaktas direkt.

Följande omständigheter exkluderas från denna garanti:

- Reparationer eller ändringar som gjorts eller försökt göras på maskinen av ett icke auktoriserat servicecenter.
- Normalt slitage.
- Verktyget har missbrukats, använts fel eller underhållits på felaktigt sätt.
- Icke-originalreservdelar har använts.

Detta utgör hela garantin från företaget, antingen uttryckt eller underförstått. Det finns inga andra garantier, uttalade eller underförstådda som gäller utöver ordalydelsen härav, häri, inklusive de uttalade garantierna för säljbarhet och lämplighet för ett särskilt syfte. Under inga omständigheter skall VONROC hållas ansvarig för några oförutsedda eller indirekta skador. Återförsäljarens åtgärder skall begränsas till reparation eller byte av felaktiga enheter eller delar.

**Med förbehåll för ändringar i produkten och bruksanvisningen. Specifikationer kan ändras utan förvarning.**

## 1. SIKKERHEDSANVISNINGER

Læs de vedlagte sikkerhedsadvarsler, de yderligere sikkerhedsadvarsler og vejledningen. Hvis sikkerhedsadvarselne og vejledningen ikke følges, kan det resultere i elektrisk stød, brand og/eller alvorlige personskader. Gem sikkerhedsadvarselne og vejledningen til fremtidig brug.

Følgende symboler anvendes i brugervejledningen eller på produktet:



Læs brugervejledningen.



Angiver risiko for personskade, dødsfald eller beskadigelse af værktøjet i tilfælde af manglende overholdelse af anvisningerne i denne vejledning.



Risiko for elektrisk stød.



Fjern straks stikket fra vægstickkontakten, hvis strømkablet bliver beskadiget samt under rengøring og vedligeholdelse.



Risiko for flyvende dele. Hold omkringstående på afstand af arbejdsområdet.



Bær altid øjenværn!



Brug høreværn.



Bær en støvmaske.



Bær sikkerhedshandsker.



Må ikke bruges i regnvejr.



Klasse II-maskine – Dobbeltisoleret – Du har ikke brug for et jordstik.



Kassér ikke produktet i en forkert container.



Produktet overholder de gældende sikkerhedsstandarder i de europæiske direktiver.

## GENERELLE SIKKERHEDSADVARSLER FOR ELVÆRKTØJ



**ADVARSEL!** Læs alle sikkerhedsadvarsler og alle anvisninger. Hvis advarslerne og vejledningen ikke følges, kan det resultere i elektrisk stød, brand og/eller alvorlige personskader.

Gem alle advarsler og instruktioner til fremtidig brug. Udtrykket "el-værktøj" i advarslerne refererer til dit el-værktøj (med ledning) eller dit batteridrevet (ledningfri) el-værktøj.

### 1) Sikkerhed på arbejdsområdet

- Hold arbejdsområdet rent og godt oplyst.** Der er risiko for ulykker på rodede eller mørke områder.
- Brug ikke el-værktøj i eksplosive atmosfærer, f.eks. i nærheden af brandfarlige væsker, gasser eller støv.** El-værktøj danner gnister, der kan antænde støv eller dampe.
- Hold børn og tilskuere væk, mens du bruger et el-værktøj.** Distractioner kan få dig til at miste kontrollen.

### 2) El-sikkerhed

- Stik på el-værktøj skal passe til stikkontakten. Stikket må aldrig modificeres på nogen måde. Brug ikke adapterstik med jordforbundne (jordede) el-værktøj.** Umodificerede stik og tilsvarende stikkontakter reducerer risikoen for elektrisk stød.
- Undgå kropskontakt med jordede overflader, såsom rør, radiatorer, områder og køleskabe.** Der er en øget risiko for elektrisk stød, hvis din krop er jordet.
- El-værktøjer må ikke udsættes for regn eller våde omgivelser.** Vand, der trænger ind i et el-værktøj, vil øge risikoen for elektrisk stød.
- Misbrug ikke ledningen. Brug ikke ledningen til at bære, trække eller frakoble el-værktøjet. Hold ledningen væk fra varme, olie, skarpe kanter eller dele i bevægelse.** Beskadigede eller sammenfiltrede ledninger øger risikoen for elektrisk stød.
- Når du betjener et el-værktøj udendørs, skal du bruge en forlængerledning, der er velegnet til udendørs brug.** Brug af en ledning, der er velegnet til udendørs brug, reducerer risikoen for elektrisk stød.
- Hvis det ikke kan undgås at bruge et maskinværktøj i et fugtigt miljø, bør du anvende en**

forsyning, der er beskyttet af en fejlstrømsafbryder (RCD). Brugen af en RCD reducerer risikoen for elektrisk stød.

### 3) Personlig sikkerhed

- Vær opmærksom, se hvad du laver, og brug din sunde fornuft, når du bruger et el-værktøj. Brug ikke et el-værktøj, når du er træt eller påvirket af stoffer, alkohol eller medicin.** Et øjeblik uopmærksomhed under brug af el-værktøj kan resultere i alvorlig personskade.
  - Brug personligt sikkerhedsudstyr. Bær altid øjenvern.** Beskyttelsesudstyr såsom støvmaske, skridsikre sikkerhedssko, hjelm eller høreværn, der bruges til passende forhold, reducerer personskader.
  - Undgå utilsigtet start. Sørg for, at kontakten er slukket, før du tilslutter strømkilden og/eller batteripakken, tager maskinen op eller bærer værktøjet.** Hvis el-værktøj bæres med fingeren på kontakten, eller når el-værktøj strømføres med tændt kontakt, kan der nemt ske ulykker.
  - Fjern en eventuel justeringsnøgle eller skrue-nøgle, inden du tænder for el-værktøjet.** En skrue-nøgle eller en justeringsnøgle, der er fastgjort til en roterende del af el-værktøjet, kan resultere i personskade.
  - Ræk dig ikke for langt. Hold altid et korrekt fodfæste og balancen.** Dette giver bedre kontrol over el-værktøjet i uventede situationer.
  - Klæd dig korrekt. Bær ikke løst tøj eller smykker.** Hold dit hår, tøj og handsker væk fra bevægelige dele. Løst tøj, smykker eller lang hår kan sætte sig fast i bevægelige dele.
  - Hvis der leveres enheder til tilslutning af støvudsugnings- og opsamlingsfaciliteter, skal du sikre, at disse er tilsluttet og bliver brugt korrekt.** Brug af støvopsamling kan reducere støvreleterede farer.
  - Lad ikke kendskab opnået gennem hyppig brug af værktøj lade dig blive tilbagelænet og ignorere værktøjsikkerhedsprincipper.** En skødesløs handling kan forårsage alvorlig personskade inden for en brøkdal af et sekund.
- ### 4) Brug og pleje af el-værktøj
- Tving ikke el-værktøjet. Brug det korrekte el-værktøj til din opgave.** Det korrekte el-værktøj vil gøre et bedre stykke arbejde og vil være mere sikkert ved den hastighed, det var beregnet til.

- b) **Brug ikke el-værktøjet, hvis kontakten ikke tænder og slukker.** Ethvert el-værktøj, der ikke kan styres med kontakten, er farligt og skal repareres.
- c) **Tag stikket ud af strømkilden og/eller fjern batteripakken fra el-værktøjet, før du foretager justeringer, skifter tilbehør eller opbevarer el-værktøj.** Disse forebyggende sikkerhedsforanstaltninger reducerer risikoen for at starte el-værktøjet ved et uheld.
- d) **Opbevar inaktivt el-værktøj uden for børns rækkevidde, og lad ikke personer, der ikke har kendskab til el-værktøjet eller disse instruktioner, betjene el-værktøjet.** El-værktøjer er farlige i hænderne på utrænede brugere.
- e) **Vedligehold el-værktøjer. Se efter forkert justering eller binding af bevægelige dele, ødelagte dele og enhver anden tilstand, der kan påvirke el-værktøjets drift. Hvis det er beskadiget, bør du få el-værktøjet repareret før brug.** Mange ulykker forårsages af dårligt vedligeholdt el-værktøj.
- f) **Hold skæreværktøj skarpt og rent.** Korrekt vedligeholdt skæreværktøjer med skarpe skærekanten har mindre tilbøjelighed til at binde og er lettere at styre.
- g) **Brug el-værktøj, tilbehør og værktøjsbor osv. i overensstemmelse med disse instruktioner under hensyntagen til arbejdsforholdene og det arbejde, der skal udføres.** Brug af el-værktøjet til andet arbejde end det tilsigtede kan resultere i en farlig situation.
- h) **Hold håndtag og gribeblader tørre, rene og fri fra olie og fedtstof.** Glatte håndtag og gribeblader giver ikke mulighed for sikker håndtering og kontrol af værktøjet i uventede situationer.
- 5) **Service**
- a) **Lad dit el-værktøj blive servicert af en kvalificeret reparatør, der kun bruger identiske reservedele.** Dette sikrer, at maskinværktøjet fortsat er sikkert at bruge.

#### **FÆLLES SIKKERHEDSADVARSLER FOR SLIBENDE ELLER SLIBESKIVESKÆRENDE HANDLINGER:**

- a) **Afskærmningen, der følger med værktøjet, skal være fastgjort sikkert til el-værktøjet og anbringes med henblik på maksimal sikkerhed, så den mindst mulige mængde af skiven eksponeres mod operatøren. Placer dig selv og omkringstående væk fra den roterende skives plan. Afskærmningen hjælper med at beskytte operatøren mod ødelagte skivefragmenter og utilsigtet kontakt med skiven.**
- b) **Brug kun diamantskæreskiver til dit el-værktøj. Blot fordi et tilbehør kan anbringes i el-værktøjet, er det ikke nødvendigvis ensbetydende med sikker drift.**
- c) **Tilbehørets nominelle hastighed skal være mindst lig med den maksimale hastighed, der er angivet på el-værktøjet. Tilbehør, der anvendes med højere omdrejningstal end deres nominelle omdrejningstal, kan gå i stykker og spredes overalt.**
- d) **Skiver må kun bruges til anbefalede anvendelser. F.eks.: slib ikke med siden af en skæreskive. Slibende skæreskiver er beregnet til periferisk slibning. Sidekræfter mod disse skiver kan forårsage at de brister.**
- e) **Brug altid ubeskadigede skiveflanger, der har den rigtige diameter, til din valgte skive. Korrekte skiveflanger understøtter skiven og reducerer dermed risikoen for, at en skive bliver ødelagt.**
- f) **Undgå at få skiven i klemme eller at bruge for mange kræfter. Forsøg ikke at foretage et for dybt snit. Hvis skiven overbelastes, øges belastningen og risikoen for, at skiven bliver snoet eller sætter sig fast i snittet samt for, at der opstår tilbageslag eller skivebeskadigelse.**
- g) **Når skiven sætter sig fast, eller når et snit af en eller anden årsag afbrydes, skal du slukke for el-værktøjet og holde det stille, indtil skiven stopper helt. Forsøg aldrig at fjerne skiven fra snittet, mens skiven er i bevægelse, da der så kan opstå tilbageslag. Undersøg og træf korriigerende foranstaltninger for at fjerne årsagen til fastsættelsen af skiven.**
- h) **Start ikke forfra med skærehandlingen i arbejdsstykket. Lad skiven nå den fulde hastighed og før den forsigtigt ind i snittet. Skiven kan sætte sig fast, springe ud eller slå tilbage, hvis el-værktøjet startes i arbejdsemnet igen.**
- i) **Understøt paneler eller et evt. overdimensioneret arbejdsstykke for at minimere risikoen for, at skiven bliver klemt fast og slår tilbage. Større arbejdsemner tenderer til at synke nedad pga. egenvægten. Der skal anbringes støtter under arbejdsemnet tæt på skærelinjen og kanten af arbejdsemnet på begge sider af skiven.**
- j) **Vær ekstra forsigtig, når du laver et "lomme-snit" i eksisterende vægge eller andre blinde**

**områder.** Den udragende skive kan skære gas- eller vandrør, el-ledninger eller genstande over, som kan forårsage tilbageslag.

### Tilbageslag og relaterede advarsler

Tilbageslag er en pludselig reaktion på en roterende rulle, en bagpude, børste eller andet tilbehør, der bliver klemt eller fanget. Når det roterende tilbehør bliver klemt eller fanget, standser det hurtigt, hvilket til gengæld tvinger det ukontrollerede maskinværktøj i den modsatte retning af tilbehørets rotation ved fastsættelsespunktet. Hvis en sliberulle f.eks. bliver klemt eller fanget af arbejdsstykket, kan kanten af rullen, der trænger ind i klempunktet, gribe fat i materialets overflade og dermed få rullen til at ryge ud eller slå ud. Rullen kan enten bevæge sig hen mod eller væk fra operatøren, afhængigt af rullens bevægelsesretning ved klempunktet. Sliberuller kan også blive ødelagt under disse forhold. Tilbageslag opstår som et resultat af misbrug af maskinværktøjet og/eller forkerte operationsprocedurer eller forhold og kan undgås ved at træffe de passende foranstaltninger, som angivet herunder.

- a) **Hold godt fast i maskinværktøjet, og anbring din krop og arm på en sådan måde, at du kan modstå tilbageslagskræfter. Brug altid hjælpehåndtaget, hvis det forefindes, for at få en maksimal control over tilbageslag og momentreaktion under opstart.** Operatøren kan styre momentreaktioner eller tilbageslagskræfter, hvis der træffes de passende foranstaltninger.
- b) **Hold aldrig hånden i nærheden af det roterende tilbehør.** Tilbehør kan slå tilbage over hånden.
- c) **Du må aldrig befinde dig i det område, hvor maskinværktøjet bevæger sig hen, hvis der opstår tilbageslag.** Tilbageslag driver værktøjet i den modsatte retning af rullens bevægelse ved hindringspunktet.
- d) **Vær særlig forsigtig, når du arbejder på hjørner, skarpe kanter osv.** Undgå at bumpe tilbehøret og udsætte det for hindringer. Hjørner, skarpe kanter eller bump har tendens til at hindre det roterende tilbehør og forårsage tab af kontrol eller tilbageslag.
- e) **Påmontér ikke et savkædeskærebled eller en savklinge.** Disse klinger kan skabe hyppigt tilbageslag og tab af kontrol.

### YDERLIGERE SIKKERHEDSADVARSLER

- **Personer under 16 år må ikke bruge maskinen.**
- **Brugeren eller operatøren skal være bekendt med indholdet af denne brugsvejledning.**
- **Inden du ciselere i bærende vægge, skal du rådføre dig med den ansvarlige bygningsingeniør, arkitekt eller byggeleder.**
- **Brug kun elværktøjet, når den medfølgende skærm er monteret. Skærmen skal være sikkert fastgjort til elværktøjet og justeret for at garantere det bedst mulige sikkerhedsniveau, hvilket betyder, at skæreskivedelen, der vender mod operatøren, skal afskærmes så meget som muligt. Skærmen skal beskytte operatøren mod splinter og uilsigtet kontakt med skæreskiven.**
- **Brug kun diamantskæreskiver. Muligheden for installation af udstyr i elværktøjet alene garanterer ikke sikker brug.**
- **Brug kun diamantskæreskiver til opgaver, de er designet til. Du bør for eksempel aldrig slibe med en skæreskives sideflade. Skæreskiver er designet til at fjerne materiale med skivekanten. Hvis der presses fra siden, kan det ødelægge en skive af denne type.**
- **Brug altid ubeskadigede fastgørelsesflanger med en størrelse, der passer til skæreskiven. De korrekte flanger understøtter skæreskiven og reducerer risikoen for brud.**
- **Gør arbejdsområdet sikkert, også bag åbninger og udskæringer. Usikre arbejdsområder kan sætte dig og andre personer i fare.**
- **Pas på åbne og skjulte elkabler samt vand- og gasrør. Brug velegnede detektorer til at finde skjulte forsyningsrør og/eller kabler, eller kontakt et lokalt forsyningselskab for at få rådgivning. Kontakt med elkabler kan forårsage brand og elektrisk stød. Beskadigelse af et gasrør kan forårsage en eksplosion. Hvis et vandrør gennemtrænges, kan det forårsage skader på en ejendom eller forårsage et elektrisk stød.**
- **Når elværktøjet kan ramme skjulte elektriske ledninger eller sin egen strømledning under drift, skal du kun holde det i det isolerede håndtag. Når det kommer i kontakt med strømførende ledninger, bliver alle elværktøjets dele også strømførende, og dette kan forårsage elektrisk stød af operatøren.**
- **Undgå at skabe situationer, hvor andre mennesker kan snuble eller falde. Hvis man snubler over kabler, kan det forårsage alvorlige personskader.**

- **Fastgør arbejdsemnet.** *Et emne, der holdes sikkert fast i spændeanordninger eller en skruestik, holdes mere sikkert end i hånden.*
- **Undgå støvophobning på arbejdspladsen.** *Støv kan let blive antændt.*
- **Sørg for tilstrækkelig ventilation i lukkede rum.** *Risiko på grund af støv og nedsat syn.*
- **Støv fra materialer som belægninger, der indeholder bly, flere træsorter, mineraler og metaller kan være sundhedsskadelige og forårsage allergiske reaktioner, luftvejssygdomme og/eller kræft.** *Asbestholdigt materiale må kun bearbejdes af specialister.*
  - *Hvor det er muligt, bør du bruge en industriel støvsuger, der passer til det materiale, du arbejder på.*
  - *Sørg for, at arbejdspladsen er ordentligt ventileret.*
  - *Overhold de relevante bestemmelser i dit land for de materialer, der skal bearbejdes.*
- **Hold strømledningen væk fra roterende arbejdsredskaber.** *Tab af kontrol over elværktøjet kan føre til, at strømledningen bliver skåret eller fanget, og at hånden eller hele armen kan komme ind i det roterende arbejdsværktøj.*
- **Bær ikke elværktøjet, når det roterer.** *Hvis roterende arbejdsværktøj utilsigtet kommer i kontakt med tøj, kan det resultere i, at arbejdsværktøjet bliver fanget og kastet ind i operatørens krop.*
- **Gå ikke i gang med at arbejde, før elværktøjet når dets fulde rotationshastighed.**
- **Udsæt ikke diamantskiver til tørskæring for sidetryk.**
- **Brug aldrig diamantskiver til tørskæring for grov slibning.**

### Elektrisk sikkerhed

Når du bruger el-maskiner, skal du altid overholde de gældende sikkerhedsbestemmelser i dit land for at reducere risikoen for brand, elektrisk stød og personskader. Læs følgende sikkerhedsanvisninger samt de medfølgende sikkerhedsanvisninger.



*Kontrollér altid, at strømforsyningens spænding svarer til spændingen på ydelsesskiltets mærkat.*



*Klasse II-maskine - Dobbeltisoleret - Du har ikke brug for et jordstik.*

Hvis det ikke kan undgås at bruge et maskinværktøj i et fugtigt miljø, bør du anvende en forsyning, der er beskyttet af en fejlstrømsafbryder (RCD). Brugen af en RCD reducerer risikoen for elektrisk stød.

## 2. MASKINOPLYSNINGER

### Tilsigtet brug

Dette elværktøj er designet til tørskæring i murværk (mursten, kalksandblokke, ubehandlet sten) og beton. Det må ikke bruges til vådskæring eller til at skære i metal, glas, træ osv.

### TEKNISKE SPECIFIKATIONER

Model nr. maskine	WC503AC
Model nr. skæreskive	WC802AA
Netspænding	230 V~
Netfrekvens	50 Hz
Indgangseffekt	2400W
Hastighed uden last	8.000 /min
Skivediameter	150mm
Skiveboring	22.2mm
Maks. skæredybde	43mm
Skærebredde	30mm
Vægt	6.2 kg
Lydtrykniveau L <sub>pa</sub>	97 + 3 dB(A)
Lydtrykeffekt L <sub>wa</sub>	108 + 3 dB(A)
Vibration a <sub>h</sub>	10.94 + 1.5 m/s <sup>2</sup>

### Vibrationsniveau

Det vibrationsniveau, der er anført bag på denne betjeningsvejledning er målt i henhold til den standardiserede test som anført i EN 60745; den kan benyttes til at sammenligne to stykker værktøj og som en foreløbig bedømmelse af udsættelsen for vibrationer, når værktøjet anvendes til de nævnte formål:

- anvendes værktøjet til andre formål eller med andet eller dårligt vedligehold tilbehør, kan dette øge udsættelsesniveauet betydeligt;
- de tidsrum, hvor værktøjet er slukket, eller hvor det kører uden reelt at udføre noget arbejde, kan reducere udsættelsesniveauet betydeligt.

Beskyt dig selv imod virkningerne af vibrationer ved at vedligeholde værktøjet og dets tilbehør, ved at holde dine hænder varme og ved at organisere dine arbejdsmønstre.

Hvis **forsyningsledningen** til dette elværktøj er beskadiget, skal det udskiftes med en specielt forberedt **forsyningsledning**, som fås gennem servicevirksomheden.

## BESKRIVELSE

Tallene i teksten henviser til diagrammerne på side 2-3.

1. Tænd/sluk-kontakt
2. Låsekontakt
3. Bageste håndtag
4. Bageste rulle
5. Kulbørstens dæksel
6. Klingebolte
7. Udvendig flange
8. Diamantskive
9. Forreste greb
10. Front handle
11. Håndtag til dybdejustering
12. Støvsugningsåbning
13. Skala for dybdejustering
14. Støvsugerslange

## 3. SAMLING



*Inden montering, skal maskinen altid slukkes, og netstikket skal tages ud af stikkontakten.*

### Montering og udskiftning af skiven (Fig. A, C, D)



*En slidt eller beskadiget skive skal udskiftes med det samme.*



*Brug kun skiver, hvis tilladte rotationshastighed er højere eller lig med maskinens maksimale tomgangshastighed.*

Murrillefræseren er designet til at arbejde med specielle 3-i-1-skiver. Brug kun skiver godkendt af producenten.

1. Hold den udvendige flange (7) ved hjælp af den medfølgende store nøgle.
2. Fjern bolten (6) ved hjælp af den medfølgende lille nøgle.

**Bemærk:** bolten har venstre gevind.

3. Fjern den udvendige flange (7).
4. Montér skiven (8) på spindlen. Sørg for, at pilen på huset stemmer overens med pilen på skiven (8).  
**Bemærk:** Spindlen stikker ikke ud gennem hullet i skiven (8).
5. Sæt den udvendige flange (7) ind i hullet på skiven. Drej den udvendige flange (7), mens du trykker på den, indtil den er helt spændt.
6. Stram bolten (6).
7. Brug den store nøgle til at holde den udvendige flange (7). Stram nu bolten (6) ved hjælp af den lille nøgle.

For at fjerne skiven skal du følge installationsproceduren i omvendt rækkefølge.

### Støvsugning (Fig. A, F)



*Sørg for god ventilation på arbejdspladsen.*



*Bær støvbeskyttelse.*

Støvet fra visse materialer som f.eks. partikler kan være skadeligt for dit helbred. Indånding af dette støv kan forårsage allergiske reaktioner og/eller forårsage åndedrætssygdomme hos brugeren eller mennesker i nærheden. Derfor skal der anvendes et støvsugningssystem, der er velegnet til materialet. Gør det på følgende måde:



*Støvsugeren skal være velegnet til det materiale, der bearbejdes.*



*Når der støvsuges tørt støv, der er særligt sundhedsskadeligt eller kræftfremkaldende, skal du bruge en speciel støvsuger.*

Der kan sluttes en støvsugerslange (14) til støvsugningsporten (12). Når du begynder at arbejde, skal du først tænde for støvsugningssystemet, f.eks. en industriel støvsuger, og derefter tænde for murrillefræseren. Når arbejdet er færdigt, skal du fortsætte i omvendt rækkefølge – sluk først for murrillefræseren og derefter støvsugeren.



*Undgå støvophobning på arbejdspladsen. Støv kan let blive antændt.*

Støvsugningssystemet kan blive blokeret af støv, flis eller fragmenter af arbejdsemnet. Det skal derfor rengøres regelmæssigt. Gør det på følgende måde:

1. Frakobl netstikket fra strømforsyningen.
2. Vent, indtil skiven (8) er standset helt.
3. Fjern om nødvendigt evt. blokering.

#### 4. DRIFT

##### Justering af skæredybden (Fig. B, E)



Indstil fræsedybden, før du begynder at arbejde, og mens enheden er slukket.

1. Løsn håndtaget (11) ved at rykke det bagud.
2. Indstil til den ønskede skæredybde, som vist på figur E. Dybden kan aflæses på skalaen (13).
3. Stram håndtaget (11) ved at rykke det fremad.

##### Tænd og sluk (Fig. A)

- Tænd for maskinen ved at holde oplåseknappen (2) nede og samtidig trykke på tænd/sluk-kontakten (1).
- Sluk for maskinen ved at frigive tænd/sluk-kontakten (1).

##### Sådan laver du et snit (Fig. A, G)



Murrillefræseren er kun designet til lige snit. Det er ikke tilladt at foretage kurvede eller runde snit.



Værktøjet er kun designet til tørsnit.



Hold altid værktøjet med to hænder på de isolerede håndtag.

1. Tegn linjer for at definere den retning, skiverne skal føres i.
2. Monter en støvsuger på støvudtaget.
3. Indstilling af skæredybden.
4. Placer den bageste rulle (4) på væggens overflade. Bemærk, at skiven endnu ikke bør berøre væggens overflade.
5. Tænd for murrillefræseren, og vent til skiverne når en fuld rotationshastighed.
6. Sænk gradvist murrillefræseren, så skiverne kommer ind i vægoverfladen.
7. Så snart den forreste rulle (9) hviler på væggens overflade, skal du fortsætte med snittet og bevæge murrillefræseren fremad og væk fra dig (i den modsatte retning af skæreskiven).
8. Bevæg maskinen langs de forhåndstegnede linjer, og tryk hjulene fast mod væggen.

**Bemærk:** Påfør ikke for meget tryk på maskinen. Lad maskinen gøre arbejdet. Hvis der

presses for hårdt, kan det få motoren til at overophede og beskadige skæreskiven.

9. For at afslutte snittet skal du slukke for maskinen og vente, til skiverne er standset helt. Fjern derefter skiverne fra fræseren og stil maskinen ned.



Når du har slukket for murrillefræseren, må du ikke tvinge bremsningen af den roterende skive ved at trykke den mod behandlet materiale.



Skæreskiver varmes op til høje temperaturer under drift – rør dem ikke med ubeskyttede dele af din krop, før de er kølet ned.

**Bemærk:** Når du skærer meget hårde materialer, kan skæreskiven blive overophedet og blive beskadiget som konsekvens. For store gnister omkring skæreskiven indikerer overophedning. Når de opstår, skal du stoppe med at skære og afkøle skiven ved at køre den med fuld rotationshastighed uden belastning i 3-5 minutter. Et fald i skæreeffektiviteten og konstante store gnister omkring skæreskiven kan indikere en sløv skæreskive.

#### 5. VEDLIGEHOLDELSE



Før rengøring og vedligeholdelse skal du altid slukke for maskinen og trække netstikket ud af kontakten.

Rengør maskinbeklædningerne regelmæssigt med en blød klud, helst efter hver anvendelse. Sørg for, at der ikke er støv eller snavs i ventilationsåbningerne. Fjern snavs, der sidder meget godt fast, med en blød klud, der er fugtet i sæbevand. Brug ikke opløsningsmidler, som f.eks. benzin, sprit, ammoniak osv. Kemikalier som disse beskadiger de syntetiske komponenter.



## MILJØ



Defekte og/eller bortsøffede elektriske og elektroniske apparater skal afleveres på en passende genbrugsstation.

### Kun for EU-lande

Smid ikke el-værktøjer ud sammen med almindeligt affald. I henhold til de europæiske direktiver 2012/19/EU for elektrisk og elektronisk udstyr og er implementeret i henhold til nationale rettigheder, el-værktøj som ikke længere er anvendelig skal indsamles separat og genbruges på en miljøvenlig måde.

## GARANTI

VONROC produkter er udviklet efter de højeste kvalitetsstandarder og er garanteret fri for mangler i såvel materialer som udførelse i den lovpligtige periode, der starter fra datoen for det oprindelige køb. Skulle produktet udvikle nogen fejl i løbet af denne periode på grund af defekte materialer og/eller fabriktionsfejl, så kontakt VONROC direkte.

De følgende forhold er udelukket fra denne garanti:

- Reparationer og eller rettelser er blevet foretaget eller forsøgt foretaget på maskinen af uautoriserede servicecentre.
- Normal slitage.
- Værktøjet har været misligholdt, misbrugt eller vedligeholdt forkert.
- Ikke originale reservedele er blevet anvendt.

Dette udgør den eneste garanti fra virks omheden enten udtrykt eller underforstået. Der er ingen andre garantier udtrykt eller underforstået, som strækker sig ud over forsiden heraf, heri, herunder underforståede garantier for salgbarhed og egnethed til et bestemt formål. VONROC vil under ingen omstændigheder være ansvarlig for hændelige skader eller følgeskader. Forhandlernes afhjælpningsmidler vil være begrænsede til reparation eller udskiftning af fejlbehæftede enheder eller dele.

**Produktet og brugermanualen kan ændres. Specifikationer kan ændres uden forudgående varsel.**

## 1. INSTRUKCJĘ DOTYCZĄCĄ BEZPIECZEŃSTWA

Przeczytać dołączone ostrzeżenia dotyczące bezpieczeństwa, dodatkowe ostrzeżenia dotyczące bezpieczeństwa oraz instrukcję. Nieprzestrzeganie ostrzeżeń dotyczących bezpieczeństwa oraz instrukcji może prowadzić do porażenia prądem, pożaru i/lub poważnych obrażeń ciała. Zachować ostrzeżenia dotyczące bezpieczeństwa oraz instrukcje na przyszłość.

Następujące symbole są umieszczone w instrukcji obsługi lub na produkcie:



Przeczytać instrukcję obsługi.



Oznacza ryzyko obrażeń ciała, śmierci lub uszkodzenia narzędzia w razie nieprzestrzegania poleceń z instrukcji.



Ryzyko porażenia prądem.



Niezwłocznie odłączyć wtyczkę zasilania sieciowego od gniazdka sieciowego, jeśli przewód zasilania sieciowego zostanie uszkodzony, a także na czas czyszczenia i konserwacji.



Ryzyko wyrzucenia przedmiotów w powietrze. Nie pozwalać osobom postronnym zbliżyć się do obszaru pracy.



Zawsze nosić okulary ochronne!



Nosić ochronniki słuchu.



Nos maskę przeciwpylową.



Zawsze nosić okulary ochronne!



Nie używać w deszczu.



Maszyna klasy II - Podwójna izolacja - Nie trzeba stosować wtyczek z uziemieniem.



Nie wyrzucać produktu do nieodpowiednich pojemników.



Produkt spełnia wymogi odpowiednich norm bezpieczeństwa podanych w dyrektywach UE.

## BEZPIECZEŃSTWA



**UWAGA! Przeczytać wszystkie ostrzeżenia dotyczące bezpieczeństwa i wszystkie instrukcje.** Nieprzestrzeganie wszystkich poniższych instrukcji może być przyczyną porażenia prądem, pożaru i/lub poważnych obrażeń.

### Zachowaj poniższe instrukcje.

Termin „elektronarzędzia akumulatorowe” we wszystkich ostrzeżeniach zamieszczonych poniżej odnosi się do elektronarzędzi akumulatorowych zasilanych sieciowo (przewodowych) lub elektronarzędzi akumulatorowych działających na baterie (bezprzewodowych).

#### 1) Obszar roboczy

- a) **Obszar roboczy należy utrzymywać w czystości.** Powinien on być dobrze oświetlony. Nieład i złe oświetlenie mogą z łatwością doprowadzić do wypadku.
- b) **Nie korzystaj z elektronarzędzi akumulatorowych w warunkach, w których łatwo może dojść do wybuchu, np. w obecności łatwopalnych cieczy, gazów lub pyłu.** Podczas pracy elektronarzędzi akumulatorowych powstają iskry, które mogą doprowadzić do zapłonu pyłu lub oparów.
- c) **Dzieci i inne osoby postronne powinny pozostać w bezpiecznej odległości od pracującego urządzenia.** Rozproszenie uwagi może spowodować utratę kontroli nad urządzeniem.

#### 2) Bezpieczeństwo związane z elektrycznością

- a) **Wtyczki elektronarzędzi akumulatorowych muszą być odpowiednie do danego gniazda.** Pod żadnym pozorem nie należy modyfikować wtyczki w jakikolwiek sposób. Nie należy używać adapterów, które uziemiają elektronarzędzia akumulatorowe. Stosowanie wtyczek nie poddanych modyfikacjom oraz odpowiednich gniazd zmniejsza ryzyko porażenia prądem.
- b) **Należy unikać bezpośredniego kontaktu fizycznego z powierzchniami uziemionymi, takimi jak rury, grzejniki, kuchenki, lodówki.** Ryzyko porażenia prądem jest większe, jeśli ciało osoby obsługującej urządzenie jest uziemione.
- c) **Nie należy wystawiać elektronarzędzi akumulatorowych na działanie deszczu lub wilgoci.** Dostanie się wody do wnętrza elektronarzędzia akumulatorowego zwiększy ryzyko porażenia prądem.

- d) **Nie należy używać przewodu w niewłaściwy sposób.** Pod żadnym pozorem nie należy wykorzystywać przewodu do przenoszenia lub ciągnięcia elektronarzędzia akumulatorowego, ani do jego odłączania od sieci. Przewodu nie należy wystawiać na działanie ciepła, smarów. Powinien on znajdować się w bezpiecznej odległości od ostrych krawędzi i części ruchomych. Przewody uszkodzone lub poplątane zwiększają ryzyko porażenia prądem.
- e) **Podczas korzystania z elektronarzędzia akumulatorowego na wolnym powietrzu, należy używać przewodu przedłużacza przystosowanego do użytku na zewnątrz.** Używanie przewodu nadającego się do użytku na wolnym powietrzu zmniejsza ryzyko porażenia prądem.
- f) **Jeśli obsługa elektronarzędzia w wilgotnym miejscu jest nieunikniona, użyć zasilania wyposażonego w wyłącznik różnicowo-prądowy.** Użycie wyłącznika różnicowo-prądowego zmniejsza ryzyko porażenia prądem.

#### 3) Bezpieczeństwo osoby obsługującej urządzenie

- a) **Przez cały czas należy mieć się na baczności, uważać na to, co się robi, a w czasie obsługi elektronarzędzia akumulatorowego postępować mając na uwadze zdrowy rozsądek.** Urządzenia nie powinny obsługiwać osoby zmęczone lub będące pod wpływem narkotyków, alkoholu lub leków. Chwila nieuwagi w czasie obsługi elektronarzędzi akumulatorowych może być przyczyną powstania poważnych obrażeń ciała.
- b) **Należy korzystać ze sprzętu ochronnego oraz zawsze nosić okulary ochronne.** Sprzęt ochronny, jak na przykład maska przeciwpyłowa, antypoślizgowe obuwie ochronne, kask lub słuchawki ochronne używany we właściwych sytuacjach pozwoli na zmniejszenie ryzyka obrażeń ciała.
- c) **Unikać niezamierzonego uruchomienia. Przed podłączeniem urządzenia do sieci, zawsze sprawdzić, czy przełącznik znajduje się w pozycji „wyłączony”.** Przenoszenie elektronarzędzi z palcem na przełączniku lub włączonych elektronarzędzi z przełącznikiem w położeniu włączenia jest bardzo niebezpieczne i może powodować wypadki.
- d) **Przed włączeniem elektronarzędzia akumulatorowego należy usunąć z niego wszystkie klucze nastawcze lub maszynowe.** Pozostawienie klucza zamocowanego na jednej z części obrotowych urządzenia może spowodować powstanie obrażeń ciała.

- e) **Nie należy sięgać ponad urządzeniem.** Przez cały czas należy zachować odpowiednią równowagę i zapewnić odpowiednie oparcie dla stóp. *Pozwoli to na lepsze kontrolowanie urządzenia w nieoczekiwanych sytuacjach.*
- f) **Należy nosić odpowiednie ubranie.** Do pracy z urządzeniem nie wkładać luźnych ubrań ani biżuterii. *Włosy, ubranie i rękawiczki trzymać z dala od części ruchomych. Luźne części ubrania, biżuteria lub długie włosy mogą zostać wciągnięte przez części ruchome.*
- g) **Jeśli w urządzeniu przewidziano elementy służące do odprowadzania i zbierania pyłu, należy sprawdzić, czy są podłączone, i czy działają we właściwy sposób.** *Korzystanie z tego typu elementów pozwala ograniczyć ryzyko związane z wydzielaniem pyłu podczas pracy urządzenia.*
- h) **Nie zezwalać na to, aby rutyna związana z częstym korzystaniem z narzędzi powodowała nadmierną pewność siebie i ignorowanie zasad bezpiecznego korzystania z narzędzi.** *Nieodpowiedzialne działanie może spowodować poważne obrażenia ciała w ułamku sekundy.*
- 4) Obsługa i konserwacja elektronarzędzi akumulatorowych**
- a) **Urządzenia nie należy przeciążać.** *Należy korzystać z narzędzia odpowiedniego do danego typu pracy. Odpowiednio dobrane urządzenie pozwoli na lepsze i bezpieczniejsze wykonanie pracy, we właściwym dla urządzenia tempie.*
- b) **Z elektronarzędzia akumulatorowego nie należy korzystać, jeśli nie można go włączyć i wyłączyć przy pomocy przełącznika.** *Urządzenie, którego nie można kontrolować używając przełącznika jest niebezpieczne i powinno być oddane do naprawy.*
- c) **Przed przystąpieniem do regulowania elektronarzędzi akumulatorowych, wymiany akcesoriów lub przygotowywania urządzeń do okresu przechowywania, należy odłączyć wtyczkę od źródła zasilania.** *Tego typu środki ostrożności zmniejszają ryzyko przypadkowego uruchomienia urządzenia.*
- d) **Nieczyste elektronarzędzia akumulatorowe należy przechowywać poza zasięgiem dzieci.** **Nie należy pozwolić, aby osoby nie znające urządzenia lub niniejszych instrukcji obsługiwały urządzenie.** *Elektronarzędzia akumulatorowe w rękach niekompetentnych użytkowników stanowią zagrożenie.*
- e) **Elektronarzędzia akumulatorowe należy utrzymywać w dobrym stanie technicznym.** *Należy sprawdzać, czy części ruchome są właściwie założone, i czy się nie zacinają. Należy również sprawdzać, czy jakieś części nie są uszkodzone oraz sprawdzać wszelkie inne elementy, które mogą wpłynąć na pracę urządzeń. Jeśli urządzenie jest uszkodzone, przed przystąpieniem do jego użytkowania, należy je naprawić. Często przyczyną wypadków jest zły stan techniczny urządzeń.*
- f) **Narzędzia służące do cięcia powinny być naostrzone i utrzymywane w czystości.** *Jeśli narzędzia służące do cięcia, które posiadają ostre krawędzie tnące, są właściwie konserwowane, istnieje mniejsze prawdopodobieństwo ich zacinania się. Ponadto, łatwiej je kontrolować.*
- g) **Elektronarzędzia akumulatorowe, akcesoriów, nakładek, itp. należy używać zgodnie z niniejszymi instrukcjami oraz w sposób właściwy dla danego rodzaju urządzenia, z u wzięciem pod uwagę warunków pracy oraz jej rodzaju.** *Używanie urządzenia niezgodnie z przeznaczeniem może prowadzić do powstania sytuacji niebezpiecznych.*
- h) **Uchwyty należy utrzymywać w stanie suchym, czystym i niezabrudzonym olejem lub smarem.** *Śliskie uchwyty i powierzchnie do chwytania nie pozwalają na bezpieczne obchodzenie się z narzędziem i panowanie nad nim w nieoczekiwanych sytuacjach.*
- 5) Serwis**
- a) **Zlecać serwisowanie elektronarzędzi wykwalifikowanemu technikowi stosującymi jedynie części zamienne identyczne z oryginalnymi.** *Zapewni to zachowanie bezpieczeństwa elektronarzędzia.*

#### **OSTRZEŻENIA DOTYCZĄCE BEZPIECZEŃSTWA WSPÓLNE DLA SZLIFOWANIA I PRZECINANIA SZLIFIERKĄ:**

- a) **Osłona dołączona do narzędzia musi być dobrze zamocowana do elektronarzędzia i ustawiona w sposób zapewniający maksymalne bezpieczeństwo, tak aby jak najmniejsza część tarczy była odsłonięta dla operatora.** *Nie zbliżaj się do płaszczyzny obrotowej tarczy ani nie zezwalaj na przebywanie w tej płaszczyźnie innych osób. Osłona chroni operatora przed uderzeniem odłamkami tarczy oraz przed niezamierzonym kontaktem z tarczą.*

- b) **W eksploatacji tego elektronarzędzia stosuj wyłącznie diamentowe tarcze tnące.** Fakt, że akcesorium można podłączyć do elektronarzędzia nie oznacza, że jego użytkowanie będzie bezpieczne.
- c) **Znamionowe obroty akcesorium muszą być co najmniej równe maksymalnym obrotom podanym na elektronarzędziu.** Akcesoria do pracujące z obrotami przekraczającymi obroty znamionowe mogą pęknąć i rozlecieć się na kawałki.
- d) **Tarcze stosować jedynie zgodnie z przeznaczeniem. Na przykład: nie szlifować bokiem tarczy do odcinania.** Tarcze do odcinania ściernego są przeznaczone do szlifowania obwodowego, a siła działająca na te tarcze z boku może powodować ich rozpad.
- e) **Zawsze stosować nieuszkodzone kołnierze tarcz o odpowiedniej średnicy i kształcie dla wybranej tarczy.** Odpowiednie kołnierze tarcz podpierają tarczę, zmniejszając ryzyko ich pęknięcia.
- f) **Nie dopuszczaj do zakleszczania tarczy tnącej ani nie stosować nadmiernego nacisku. Nie podejmować prób wykonywania cięcia o nadmiernej głębokości.** Przeciążenie tarczy zwiększa obciążenie i ryzyko skrzywienia lub utknięcia tarczy w miejscu cięcia oraz ryzyko odrzutu lub pęknięcia tarczy.
- g) **W przypadku zakleszczenia tarczy lub w razie przerwania cięcia z powodu, wyłączyć elektronarzędzie i trzymać je nieruchomo, aż do całkowitego zatrzymania tarczy. Nigdy nie próbować wyjmować tarczy tnącej z miejsca cięcia, gdy tarcza się porusza, ponieważ może to spowodować gwałtowne szarpnięcie i odrzucenie elektronarzędzia.** Sprawdzić i usunąć przyczynę utkania tarczy.
- h) **Nie wznawiać cięcia, gdy tarcza jest zagłębiona w ciętym materiale. Pozwolić tarczy na osiągnięcie pełnych obrotów i ostrożnie ponownie wprowadzić ją w miejsce cięcia.** Tarcza może utykać, unosić się z miejsca cięcia albo powodować odrzut, jeśli elektronarzędzie zostanie uruchomione ponownie z tarczą w miejscu cięcia.
- i) **Podpieraj panele lub zbyt duże obrabiane przedmioty, aby ograniczyć ryzyko zakleszczenia tarczy i odrzucenia elektronarzędzia.** Duże obrabiane przedmioty często opadają pod własnym ciężarem. Umieścić podpory pod obrabianym przedmiotem w pobliżu linii cięcia i w pobliżu krawędzi obrabianego przedmiotu po obu stronach tarczy.
- j) **Zachować szczególną ostrożność podczas wykonywania cięcia „kieszeniowego” w istniejących ścianach lub innych zastoinitych miejscach.** Wystająca tarcza może przeciąć rury z gazem lub wodą, przewody elektryczne lub obiekty mogące powodować odrzut.

#### Ostrzeżenia dotyczące odrzutu itp.

Odrzut to nagła reakcja na zablokowanie lub zaczepienie się obracającej się tarczy, podkładki, szczotki lub innego akcesorium. Ściśnięcie lub zaczepienie powoduje nagłe utknięcie obracającego się akcesorium, co z kolei prowadzi do utraty panowania nad elektronarzędziem i odrzucenia go w kierunku przeciwnym do kierunku obrotów akcesorium w punkcie utknięcia. Na przykład, jeśli tarcza ścierna zostanie zaczepiona lub ściśnięta przez obrabiany przedmiot, krawędź tarczy wchodzi w miejsce ściśnięcia może zagłębić się w powierzchnię materiału, powodując wyskoczenie lub wyrzucenie tarczy. Tarcza może wyskoczyć w kierunku operatora lub od operatora, w zależności od kierunku ruchu tarczy w momencie ściśnięcia. Tarcze ściernie mogą także pękać w takich okolicznościach. Odrzut jest rezultatem błędnego użytkowania elektronarzędzia i/lub stosowania błędnych metod bądź warunków pracy i można go unikać, stosując środki ostrożności opisane poniżej.

- a) **Utrzymywać silny chwyt elektronarzędzia i ustawiać ciało oraz ramię tak, aby móc stawić opór sile odrzutu. Zawsze stosować uchwyt pomocniczy, jeśli jest dołączony, aby uzyskać maksymalne panowanie nad odrzutem oraz reakcją momentu obrotowego podczas rozruchu.** Operator może kontrolować reakcję momentu obrotowego oraz siły odrzutu, przestrzegając odpowiednich środków ostrożności.
- b) **Nigdy nie umieszczaj ręki w pobliżu akcesorium obrotowego.** Akcesorium może zostać odrzucone w rękę.
- c) **Nie ustawiać ciała w obszarze, gdzie przemieści się elektronarzędzie w razie wystąpienia odrzutu.** Odrzut pchnie narzędzie w kierunku przeciwnym do ruchu tarczy w punkcie utknięcia.
- d) **Zachować szczególną ostrożność podczas pracy z rogami, ostrymi krawędziami itp.** Unikać odbijania i zaczepiania akcesorium. Rogi, ostre krawędzie lub odbicia często powodują utkanie obrotowego akcesorium i utratę panowania nad narzędziem albo odrzut.

- e) **Nie podłączać brzeszczota do cięcia drewna od piły łańcuchowej ani zębatego brzeszczota piły.** Takie brzeszczoty powodują częsty odrzut i utratę panowania.

## DODATKOWE OSTRZEŻENIA DOTYCZĄCE BEZPIECZEŃSTWA

- Narzędzia nie mogą używać osoby w wieku poniżej 16 lat.
- Użytkownik lub operator musi znać treść tej instrukcji obsługi.
- Przed rozpoczęciem wycinania bruzd w ścianach nośnych skonsultować się z inżynierem budowlanym, architektem lub kierownikiem budowy.
- Używać elektronarzędzia tylko z zainstalowaną dołączoną osłoną. Osłona musi być solidnie przy mocowana do elektronarzędzia i wyregulowana tak, aby zapewniać najlepszy możliwy poziom bezpieczeństwa, co oznacza, że część tarczy tnącej skierowana w stronę operatora musi być jak najbardziej osłonięta. Osłona musi chronić operatora przez odłamkami i przypadkowym kontaktem z tarczą tnącą.
- Używać wyłącznie diamentowych tarcz tnących. Sama możliwość instalacji osprzętu w elektronarzędziu nie gwarantuje jego bezpiecznego użytkowania.
- Używać diamentowych tarcz tnących wyłącznie zgodnie z przeznaczeniem. Na przykład, nigdy nie szlifować boczną powierzchnią tarczy tnącej. Tarcze tnące są przeznaczone do usuwania materiału swoją krawędzią. Wywarcie nacisku bocznego może spowodować pęknięcie tarczy tego typu.
- Zawsze używać nieuszkodzonych kołnierzy mocujących o rozmiarze dopasowanym do tarczy tnącej. Właściwe kołnierze podpierają tarczę tnącą i zmniejszają ryzyko jej pęknięcia.
- Zabezpieczyć miejsce pracy, również za otworami i wycięciami. Niezabezpieczone miejsca pracy mogą stanowić zagrożenie dla operatora i innych osób.
- Uważać na odsłonięte i ukryte przewody elektryczne oraz wodociągi i gazociągi. Użyć odpowiedniego detektora do wykrycia ukrytych rur transportujących media i/lub przewodów lub skontaktować się z lokalną firmą dostarczającą media, aby uzyskać poradę. Kontakt z przewodem elektrycznym może spowodować pożar i porażenie prądem. Uszkodzenie rury gazowej może spowodować wybuch. Przebicie rury z

wodą spowoduje uszkodzenie mienia lub może spowodować porażenie prądem.

- **Kiedykolwiek istnieje ryzyko, że elektronarzędzie może zetknąć się z ukrytymi przewodami elektrycznymi lub własnym kablem zasilania podczas pracy, trzymać je wyłącznie za izolowany uchwyt.** Kiedy dojdzie do zetknięcia z przewodem pod napięciem, wszystkie metalowe części elektronarzędzia również znajdą się pod napięciem, co może spowodować porażenie operatora prądem.
- **Unikać powodowania ryzyka potknięcia się lub przewrócenia przez inne osoby.** Przewrócenie się o kable może być przyczyną poważnych obrażeń ciała.
- **Zamocować obrabiany element.** Obrabiany element solidnie zamocowany w zacisku lub imadle jest bezpieczniejszy w obróbce niż trzymany w ręce.
- **Unikać gromadzenia pyłu w miejscu pracy.** Może łatwo dojść do jego zapłonu.
- **Zapewnić właściwą wentylację zamkniętych pomieszczeń.** Ryzyko spowodowane pyłem i ograniczeniem widzenia.
- **Pył z materiałów, takich jak farby zawierające ołów, niektóre rodzaje drewna, metale i minerały może być szkodliwy dla zdrowia i powodować reakcje alergiczne, choroby układu oddechowego i/lub raka.** Materiały zawierające azbest mogą obrabiać wyłącznie specjaliści.
  - Kiedykolwiek to możliwe, używać przemysłowego odkurzacza odpowiedniego dla obrabianego materiału.
  - Zapewnić właściwą wentylację miejsca pracy.
  - Przestrzegać obowiązujących w kraju właściwych przepisów dotyczących obrabianych materiałów.
- **Trzymać kabel zasilający z dala od obrotowych narzędzi.** Utrata panowania nad elektronarzędziem może prowadzić do przecięcia lub pochwylenia kabla zasilania, a wirujące narzędzie może wciągnąć dłoń lub całe ramię.
- **Nie przenosić elektronarzędzia, gdy się obraca.** Przypadkowe zetknięcie się obracającego się narzędzia odzieżą może spowodować jej pochwylenie i zagłębienie narzędzia w ciało operatora.
- **Nie rozpoczynać pracy, zanim elektronarzędzie nie osiągnie pełnej prędkości obrotowej.**
- **Nie narażać diamentowych tarcz tnących na nacisk boczny.**
- **Nigdy nie używać diamentowych tarcz tnących do zgrubnego szlifowania.**

### Bezpieczeństwo elektryczne

Podczas korzystania z elektronarzędzi należy zawsze przestrzegać krajowych przepisów BHP w celu ograniczenia ryzyka pożaru, porażenia prądem i obrażeń ciała. Przeczytać poniższe instrukcje dotyczące bezpieczeństwa oraz dołączone instrukcje dotyczące bezpieczeństwa.



*Zawsze sprawdzać, czy napięcie zasilania jest zgodne z napięciem podanym na tabliczce znamionowej.*



*Maszyna klasy II - Podwójna izolacja - Nie trzeba stosować wtyczek z uziemieniem.*

Jeśli obsługa elektronarzędzia w wilgotnym miejscu jest nieunikniona, użyć zasilania wyposażonego w wyłącznik różnicowoprądowy. Użycie wyłącznika różnicowoprądowego zmniejsza ryzyko porażenia prądem.

## 2. INFORMACJE O MASZYNIE

### Przeznaczenie

To elektronarzędzie jest przeznaczone do cięcia na sucho materiałów murarskich (cegły, bloczków silikatowych, szorstkiego kamienia) i betonu. Nie wolno go używać do cięcia na mokro ani do cięcia metalu, szkła, drewna itp.

### DANE TECHNICZNE

Nr modelu narzędzia	WC503AC
Nr modelu tarczy tnącej	WC802AA
Napięcie sieciowe	230 V~
Częstotliwość sieciowa	50 Hz
Pobór mocy	2400W
Obroty bez obciążenia	8.000 /min
Średnica tarczy	150mm
Otwór tarczy	22.2mm
Maks. głębokość cięcia	43mm
Szerokość cięcia	30mm
Ciezar	6.2 kg
Poziom ciśnienia akustycznego LPA	97 + 3 dB(A)
Poziom mocy akustycznej LWA	108 + 3 dB(A)
Drgania ah	10.94 + 1.5 m/s <sup>2</sup>

### Poziom drgań

Poziom emisji drgań podany w tej instrukcji obsługi został zmierzony zgodnie ze standaryzowanym testem podanym w normie EN 60745; może on służyć do porównywania narzędzi ze sobą oraz do wstępnego oszacowania ekspozycji na drgania podczas użytkowania narzędzia do podanych zastosowań:

- używanie narzędzia do innych zastosowań lub z innymi lub źle konserwowanymi akcesoriami może znacząco zwiększać poziom ekspozycji;
- okresy, gdy narzędzie jest wyłączone lub okresy, gdy jest włączone, ale nie pracuje, mogą znacząco zmniejszać poziom ekspozycji.

Chronić się przed wpływem drgań, konserwując odpowiednio narzędzie i akcesoria, utrzymując ciepłotę dłoni oraz odpowiednio organizując pracę.

Jeśli kabel zasilania tego elektronarzędzia ulegnie uszkodzeniu, musi zostać wymieniony na specjalny kabel zasilania dostępny w serwisie.

### OPIS

Liczby w tekście odnoszą się do rysunków na stronach 2-3.

1. Włacznik
2. Wyłącznik blokady
3. Uchwyt tylny
4. Tylna rolka
5. Pokrywa szczotki węglowej
6. Śruba tarczy
7. Zewnętrzna podkładka kołnierзова
8. Tarcza diamentowa
9. Przednia rolka
10. Uchwyt przedni
11. Dźwignia regulacji głębokości
12. Rura odprowadzania pyłu
13. Podziałka regulacji głębokości
14. Wąż do odsysania pyłu

## 3. MONTAŻ



*Przed montażem należy zawsze wyłączyć urządzenie i odłączyć od sieci zasilającej.*

### Montaż i wymiana tarczy (Rys. A, C, D)



*Pękniętą lub inaczej uszkodzoną tarczę należy natychmiast wymienić.*



*Używać wyłącznie tarcz o dopuszczalnej prędkości obrotowej wyższej lub równej*

*maksymalnej prędkości obrotowej narzędzia bez obciążenia.*

Bruzdownica jest przeznaczona do pracy ze specjalnymi tarczami typu „3 w 1”. Używać jedynie tarcz zatwierdzonych przez producenta.

1. Trzymać zewnętrzną podkładkę kołnierзовą (7) dołączonym do zestawu dużym kluczem.
2. Odkręcić śrubę (6) dołączonym do zestawu małym kluczem.  
**Uwaga:** śruba ma gwint lewy.
3. Zdemontować zewnętrzną podkładkę kołnierзовą (7).
4. Założyć tarczę (8) na wrzeciono. Dopilnować, aby strzałka na obudowie była ustawiona zgodnie ze strzałką na tarczy (8).  
**Uwaga:** wrzeciono nie wystaje przez otwór tarczy (8).
5. Włożyć zewnętrzną podkładkę kołnierзовą (7) do otworu w tarczy. Obracać zewnętrzną podkładkę kołnierзовą (7), dociskając ją jednocześnie, aż do całkowitego dokręcenia.
6. Dokręcić śrubę (6).
7. Trzymać zewnętrzną podkładkę kołnierзовą (7) dużym kluczem. Następnie dokręcić śrubę (6) małym kluczem.

Aby zdemontować tarczę, wykonać procedurę montażu w odwrotnej kolejności.

#### Odsysanie pyłu (Rys. A, F)



*Zapewnić dobrą wentylację miejsca pracy.*



*Nosić środki ochrony przed pyłem.*

Pył z pewnych materiałów zawiera cząstki, które mogą być szkodliwe dla zdrowia. Wdychanie tego pyłu może powodować reakcje alergiczne i/lub powodować schorzenia układu oddechowego operatora i innych osób w pobliżu. Z tego powodu należy stosować system odsysania pyłu dopasowany do obrabianego materiału. W tym celu:



*Odsysacz pyłu musi być przeznaczony do pracy z obrabianym materiałem.*



*W przypadku wssania pyłu szczególnie szkodliwego dla zdrowia lub rakotwórczego, używać specjalnego odsysacza do pyłu.*

Wąż odkurzacza (14) można podłączyć do złącza odsysania pyłu (12). Rozpoczynając pracę, najpierw włączyć system odsysania pyłu, np. przemyślowy odkurzacz, a następnie włączyć bruzdownicę. Po zakończeniu pracy postępować w odwrotnej kolejności: najpierw wyłączyć bruzdownicę, a potem odkurzacz.



*Unikać gromadzenia pyłu w miejscu pracy. Może łatwo dojść do jego zapłonu.*

System odsysania pyłu może zatkać się pyłem, wiórami lub kawałkami obrabianego elementu. Dlatego należy go regularnie czyścić. W tym celu:

1. Odłączyć wtyczkę kabla zasilającego od gniazdka sieciowego.
2. Poczekać, aż tarcza (8) całkowicie się zatrzyma.
3. W razie potrzeby usunąć wszelkie zatory.

## 4. OBSŁUGA

#### Regulacja głębokości cięcia (Rys. B, E)



*Ustawić głębokość bruzd przed rozpoczęciem pracy, gdy urządzenie jest wyłączone.*

1. Poluzować dźwignię (11), przestawiając ją wstecz.
2. Ustawić wymaganą głębokość cięcia zgodnie z rysunkiem E. Głębokość można odczytać na podziałce (13).
3. Zaciśnąć dźwignię (11), przestawiając ją naprzód.

#### Włączanie i wyłączanie (Rys. A)

- Aby włączyć narzędzie, trzymać przycisk wyłączania blokady (2) wciśnięty i wcisnąć włącznik (1).
- Aby wyłączyć narzędzie, zwolnić włącznik (1).

#### Cięcie (Rys. A, G)



*Bruzdownica jest przeznaczona wyłącznie do cięcia prosto. Nie wolno wykonywać cięć zakrzywionych lub okrągłych.*



*Narzędzie jest przeznaczone wyłącznie do cięcia na sucho.*



*Zawsze trzymać narzędzia obiema rękami za izolowane uchwyty.*

1. Narysować linie, aby określić kierunek prowadzenia tarcz.
2. Podłączyć odkurzacz do złącza odprowadzania pyłu.

3. Ustawić głębokość cięcia.
4. Postawić tylną rolkę (4) na powierzchni ściany. Zwrócić uwagę, że tarcza nie powinna jeszcze dotykać powierzchni ściany.
5. Włączyć bruzdownicę i poczekać, aż tarcze osiągną pełną prędkość obrotową.
6. Stopniowo opuszczać bruzdownicę, zagłębiając tarcze w powierzchnię ściany.
7. Kiedy tylko przednia rolka (9) oprze się o powierzchnię ściany, kontynuować cięcie i przesuwając bruzdownicę naprzód i z dala od siebie (w kierunku przeciwnym do kierunku obrotów tarczy tnącej).
8. Powoli przesuwając narzędzie wzdłuż narysowanych wcześniej linii, mocno dociskając rolki do ściany.

**Uwaga:** Nie dociskać narzędzia za mocno.

Pozwolić mu wykonać swoją pracę. Wywieranie nadmiernego nacisku może spowodować przegrzanie silnika i uszkodzenie tarczy tnącej.

9. Aby zakończyć cięcie, wyłączyć maszynę i poczekać na całkowite zatrzymanie się tarcz. Następnie wyjąć tarcze z bruzdy i odłożyć narzędzie.



*Po wyłączeniu bruzdownicy nie wymuszać zatrzymania się tarczy tnącej poprzez dociskanie jej do obrabianego materiału.*



*Tarcze tnące silnie się nagrzewają podczas pracy - nie dotykać ich nieosłoniętymi częściami ciała, zanim nie ostygną.*

**Uwaga:** Podczas przecinania bardzo twardych materiałów tarcze tnące mogą się przegrzać i ulec uszkodzeniu. Występowanie zbyt silnych snopów iskier wokół tarczy tnącej może wskazywać na jej przegrzanie. Kiedy tak się stanie, przerwać cięcie i pozwolić tarczy ostygnąć, uruchamiając narzędzie z maksymalną prędkością obrotową bez obciążenia na 3-5 minut. Spadek sprawności cięcia i stałe występowanie nadmiernych snopów iskier wokół tarczy tnącej może wskazywać na jej stępienie.

## 5. KONSERWACJA



*Przed rozpoczęciem czyszczenia i konserwacji zawsze wyłączać maszynę i wyjmować wtyczkę zasilania sieciowego z gniazdka.*

Czyścić obudowę maszyny regularnie miękką ściereczką, najlepiej po każdym użyciu. Dopilnować, aby otwory wentylacyjne były wolne od pyłu, kurzu i zabrudzeń. Usuwać oporne zabrudzenia miękką ściereczką zwilżoną mydlinami. Nie używać żadnych rozpuszczalników, takich jak benzyna, alkohol, amoniak itp. Takie substancje chemiczne spowodują uszkodzenie części z tworzyw sztucznych.

## ŚRODOWISKO



*Uszkodzone i/lub niepotrzebne urządzenia elektryczne lub elektroniczne podlegają zbiórce w odpowiednich punktach recyklingu.*

### Tylko kraje WE

Nie wyrzucać elektronarzędzi wraz z odpadami z gospodarstw domowych. Zgodnie z dyrektywą 2012/19/EU dotyczącą zużytych urządzeń elektrycznych i elektronicznych oraz jej wdrożeniem do prawodawstwa krajowego, elektronarzędzia, które już nie nadają się do użytku, podlegają oddzielnej zbiórce oraz utylizacji w sposób przyjazny dla środowiska.

## GWARANCJA

Produkty VONROC są wytwarzane zgodnie z najwyższymi standardami jakości i producent udziela gwarancji na wady materiałowe i wady wykonania na okres wymagany prawem, licząc od dnia zakupu. Jeśli wystąpi usterka produktu w tym okresie spowodowana wadą materiałową i/lub wadą wykonania, proszę bezpośrednio skontaktować się ze sprzedawcą VONROC.

Następujące okoliczności powodują unieważnienie gwarancji:

- Przeprowadzono naprawy lub modyfikacje narzędzia w serwisie innym lub autoryzowany lub podjęto ich próbę;
- Normalne zużycie nie jest objęte gwarancją;
- Narzędzie było używane niezgodnie z przeznaczeniem, zle z nim się obchodzono lub było nieprawidłowo konserwowane;
- Użyto części zamiennych innych niż oryginalne.

Niniejsza gwarancja to wyłączna gwarancja producenta i nie obowiązują żadne inne wyrażone ani dorozumiane gwarancje. Nie obowiązują żadne inne wyrażone ani dorozumiane gwarancje o zakresie przekraczającym niniejszą gwarancję, co obejmuje dorozumiane gwarancje przydatności do sprzedaży



i przydatności do określonego celu. W żadnym przypadku firma VONROC nie ponosi odpowiedzialności za straty przypadkowe lub wynikowe. Zadośćuczynienie sprzedawcy jest ograniczone do naprawy lub wymiany niezgodnych urządzeń lub części.

**Produkt i instrukcja obsługi podlegają zmianom. Dane techniczne podlegają zmianom bez uprzedzenia.**

## 1. INSTRUCȚIUNI DE SIGURANȚĂ

Citiți avertizările de siguranță, avertizările de siguranță suplimentare și instrucțiunile. Nerespectarea avertizărilor de siguranță poate cauza producerea de electrocutări, incendii și/sau răniri grave. Păstrați avertizările de siguranță și instrucțiunile pentru referințe viitoare.

În manualul de utilizare sau pe produs se utilizează următoarele simboluri:



*Citiți manualul de utilizare.*



*Indică riscul de rănire personală, pierderea vieții sau deteriorarea încălzitorului în cazul în care nu se respectă instrucțiunile din acest manual.*



*Pericol de electrocutare.*



*În cazul în care cablul de alimentare se deteriorează și în timpul procedurilor de curățare și de întreținere deconectați imediat fișa de la priza de rețea.*



*Pericol de obiecte zburătoare. Nu permiteți accesul altor persoane în zona de lucru.*



*Întotdeauna purtați protecție pentru ochi!*



*Purtați protecții antifonice.*



*Purtați o mască antipraf.*



*Purtați mănuși de protecție.*



*Nu utilizați în ploaie.*



*Mașină clasa II - Izolație dublă - Nu aveți nevoie de nicio priză de împământare.*



*Nu scoateți din uz produsul în containere neadecvate.*



*Produsul este în conformitate cu standardele de siguranță aplicabile din directivele europene.*

## AVERTISMENTE GENERALE DE SIGURANȚĂ PRIVIND UNELELE ELECTRICE



**AVERTISMENT! Citiți toate avertismentele de siguranță și toate instrucțiunile.**

*Nerespectarea avertismentelor și instrucțiunilor poate cauza producerea de electrocutări, incendii și/sau răniri grave.*

**Păstrați toate avertismentele și instrucțiunile pentru consultare ulterioară.**

Termenul „unealtă electrică” din avertismente se referă la scula electrică (cu fir) sau la unealta electrică cu baterie (fără fir).

### 1) Siguranța zonei de lucru

- a) **Păstrați zona de lucru curată și bine iluminată.** Zonele dezordonate sau întunecate duc la accidente.
- b) **Nu operați uneltele electrice în atmosfere explozive, cum ar fi în prezența lichidelor, gazelor sau pulberilor explozive.** Uneltele electrice generează scânteii care pot aprinde pulberea sau fumurile inflamabile.
- c) **Țineți la distanță copiii și persoanele din jur în timp ce operați o unealtă electrică.** Distragerile vă pot cauza pierderea controlului.

### 2) Siguranța electrică

- a) **Ștecherile uneltelor electrice trebuie să se potrivească cu priza. Nu modificați niciodată în nici un fel mufele. Nu folosiți adaptoare de priză cu scule electrice legate de pământ (împământate).** Mufele nemodificate și prizele adecvate reduc riscul șocului electric.
- b) **Evitați contactul corpului cu suprafețele împământate precum țevi, radiatoare, cuptoare și frigider.** Există un risc mai mare de electrocutare dacă vă este corpul împământat.
- c) **Nu expuneți uneltele electrice la ploaie sau condiții de umezeală.** Apa care pătrunde într-o unealtă electrică va spori riscul de electrocutare.
- d) **Nu manipulați necorespunzător cablul. Nu folosiți niciodată cordonul pentru a purta, a trage sau a deconecta unealta. Feriți cordonul de căldură, ulei, margini ascuțite sau piese mobile.** Cordoane distruse sau încurcate cresc riscul de electrocutare.

- e) **Atunci când operați o unealtă de lucru în aer liber, utilizați un prelungitor pentru exterior.** Folosirea unui cordon adecvat pentru uzul în aer liber scade riscul de electrocutare.
- f) **În cazul în care operarea unei unelte electrice într-un spațiu cu umiditate nu poate fi evitată, utilizați o alimentare cu protecție pentru dispozitivele de curent rezidual (RCD).** Utilizarea unui RCD reduce riscul de electrocutare.

### 3) Siguranța personală

- a) **Fiți precauți, fiți atenți la ceea ce faceți și respectați regulile de bun simț atunci când operați o unealtă electrică. Nu folosiți unealta electrică atunci când sunteți obosit sau sub influența drogurilor, alcoolului sau unui tratament medicamentos.** Un moment de neatenție în timpul operării uneltelor electrice poate cauza vătămări corporale grave.
- b) **Utilizați echipamentul de protecție corporală. Purtați întotdeauna protecție pentru ochi.** Echipamentul de protecție precum masca de praf, pantofii de protecție antiderapați, casca de protecție sau protecția auzului utilizate în condiții adecvate vor reduce rănille personale.
- c) **Preîntâmpinați pornirea accidentală. Asigurați-vă că comutatorul este în poziția-oprit înainte de a vă conecta la sursa de alimentare și / sau la baterie, de a ridica sau purta instrumentul.** Purtarea de unelte electrice ținând degetul pe comutator sau alimentarea uneltelor electrice care au comutatorul pornit duc la accidente.
- d) **Îndepărtați orice cheie sau clește de reglare înainte de a porni unealta electrică.** Un clește sau o cheie lăsată atașată unei piese rotative a uneltei electrice poate cauza vătămări corporale.
- e) **Nu vă întindeți pentru a utiliza unealta de lucru. Mențineți-vă întotdeauna stabilitatea și echilibrul.** Acest lucru permite un control mai bun al uneltei electrice în situații neașteptate.
- f) **Îmbrăcați-vă corespunzător. Nu purtați haine largi sau bijuterii. Țineți-vă părul, îmbrăcămintea și mânușile departe de piesele mobile.** Hainele largi, bijuteriile sau părul lung pot fi prinse în părțile mobile.
- g) **În cazul în care dispozitivele prezintă posibilitatea conectării de accesorii pentru aspirația și colectarea prafului, asigurați-vă că aceste accesorii sunt conectate și utilizate în mod corespunzător.** Utilizarea colectării prafului poate reduce pericolele legate de praf.

h) **Nu lăsați ca obișnuința obținută prin utilizarea frecventă a uneltelor să vă permită să deveniți impasibili și să ignorați principiile de siguranță în utilizarea uneltelor.** *O acțiune neglijentă poate provoca accidente grave într-o fracțiune de secundă.*

#### 4) Utilizarea și îngrijirea uneltelor electrice

a) **Nu forțați unealta electrică. Utilizați unealta electrică adecvată aplicației dvs.** *Unealta electrică corectă va face munca mai bine și mai sigur la rata pentru care a fost proiectată.*

b) **Nu utilizați unealta electrică în cazul în care întrerupătorul nu comută în poziția pornit și oprit.** *Orice unealtă electrică care nu poate fi controlată cu comutatorul este periculoasă și trebuie reparată.*

c) **Deconectați ștecherul de la sursa de alimentare și/sau acumulatorul de la unealta electrică înaintea efectuării oricăror reglaje, modificării accesoriilor sau depozitării uneltelor electrice.** *Aceste măsuri preventive de precauție reduc riscul de pornire accidentală.*

d) **Nu depozitați uneltele electrice în stare inactivă la îndemâna copiilor și nu permiteți persoanelor nefamiliarizate cu unealta de lucru sau cu aceste instrucțiuni să o utilizeze.** *Uneltele electrice sunt periculoase în mâinile utilizatorilor neinstruiți.*

e) **Efectuați întreținerea uneltelor electrice. Verificați alinierea sau configurarea greșită a pieselor mobile, ruperea pieselor și orice alte condiții care ar putea afecta funcționarea uneltei electrice.** *În cazul deteriorării, reparați unealta electrică înainte de uz.* *Multe accidente sunt cauzate de unelte electrice slab întreținute.*

f) **Păstrați uneltele de tăiat ascuțite și curate.** *Uneltele de tăiat corect întreținute cu muchii ascuțite au mai puține șanse să se lege și sunt mai ușor de controlat.*

g) **Utilizați unealta electrică, accesoriile și cuțitele uneltei etc. conform acestor instrucțiuni, ținând cont de condițiile de lucru și de lucrarea ce trebuie să fie efectuată.** *Folosirea uneltei electrice pentru operații diferite decât acelea destinate pot cauza o situație periculoasă.*

h) **Țineți mânerul și suprafețele de prindere uscate, curate și lipsite de ulei și unsoare.** *Mânerul și suprafețele de prindere alunecoase nu permit manipularea și controlul uneltei în de siguranță în situații neașteptate.*

#### 5) Service

a) **Prevedeți repararea uneltei de lucru de către o persoană calificată, folosind exclusiv piese de schimb identice.** *Acest lucru va garanta păstrarea în siguranță a uneltei electrice.*

#### AVERTIZĂRI DE SIGURANȚĂ SPECIFIC OPERAȚIUNILOR DE ȘLEFUIRE SAU TĂIERE ABRAZIVĂ:

a) **Această sculă este destinată să funcționeze a) Apărătoarea de protecție trebuie fixată sigur pe scula electrică și astfel ajustată încât să atingă un grad maxim de siguranță în exploatare, adică numai o porțiune extrem de mică a discului să rămână descoperită în partea dinspre operator.** **Poziționați-vă pe dvs. și pe persoanele din jur departe de planul discului care se rotește.** *Apărătoarea ajută la protejerea operatorului împotriva fragmentelor de discuri rupte și a accidentelor contactul cu discul.*

b) **Folosiți numai discuri de debitat diamantate pentru unealta dvs. electrică.** *Doar pentru că un accesoriu poate fi atașat de scula electrică, acest lucru nu asigură funcționarea în siguranță.*

c) **Turația nominală a accesoriului trebuie să fie cel puțin egală cu viteza maximă marcată pe scula electrică.** *Accesoriile care funcționează mai rapid decât viteza lor nominală se pot rupe sau se pot desprinde.*

d) **Discurile abrazive trebuie folosite numai pentru aplicațiile recomandate.** **De exemplu: nu șlefuiți cu partea laterală a unui disc de tăiere.** *Discurile de tăiere sunt destinate îndepărtării de material cu marginea discului, întrucât exercitarea forțelor laterale asupra discurilor poate duce la ruperea lor.*

e) **Folosiți întotdeauna flanșe de prindere nedeteriorate diametrul corespunzător discului ales de dumneavoastră.** *Flanșele adecvate sprijină discul de șlefuit diminuând astfel pericolul ruperii acestuia.*

f) **Evitați „blocarea” discului sau o apăsare prea puternică.** **Nu executați tăieri exagerat de adânci.** *O supraîncărcare a discului de tăiere mărește solicitarea acestuia și tendința sa de a se răsuci în piesa de prelucrare sau de a se bloca, apărând astfel posibilitatea unui recul sau a ruperii discului.*

g) **Dacă discul de tăiere se blochează sau dacă întrerupeți lucrul, deconectați scula electrică și nu o mișcați până când discul se oprește com-**

plet. Nu încercați niciodată să extrageți discul din tăietură în timp ce discul este în mișcare, altfel se poate produce un recul. Investigați și luați măsuri adecvate pentru a îndepărta cauza blocării discului.

- h) **Nu reluați niciodată operația de tăiere cât timp scula se mai află încă în piesa de prelucrare. Lăsați discul de tăiere să atingă turația maximă și numai după aceea continuați să tăiați cu precauție.** Dacă reporniți scula electrică în piesa de prelucrare, discul se poate bloca, sări afară sau provoca recul.
- i) **Sprijiți plăcile sau piesele de prelucrare mari pentru a diminua riscul de agățare sau de recul a discului. Piesele mari se pot încovoia sub propria greutate. Piesele de sprijin trebuie poziționate sub piesa de prelucrare, atât în apropierea liniei de tăiere cât și în apropierea marginii, pe ambele laturi ale discului.**
- j) **Fiți extrem de atenți în cazul „tăierii de cavități” în pereți deja existenți sau în alte sectoare fără vizibilitate. La penetrarea în sectorul vizat, discul de tăiere poate cauza recul dacă nimerește în conducte de gaz sau de apă, conductori electrici sau alte obiecte.**

#### Recul și avertizări corespunzătoare

Recul reprezintă o reacție bruscă la un disc rotativ îndoit sau blocat, tamponul de amortizare, peria sau orice alt accesoriu. Îndoirea sau blocarea duce la oprirea rapidă a accesoriului rotativ care la rândul lui, face ca scula electrică necontrolată să fie accelerată în punctul de blocare, în sens contrar direcției de rotație a accesoriului. Dacă, de exemplu, un disc de șlefuit se agață sau se blochează în piesa de prelucrare, marginea discului de șlefuit care penetrează direct piesa de prelucrare se poate agața în aceasta și duce astfel la smulgerea discului de șlefuit sau poate provoca recul. Discul se va deplasa către operator sau în sens opus acestuia, în funcție de direcția de rotație a discului în punctul de blocare. În această situație discurile de șlefuit se pot chiar rupe. Reculul este rezultatul utilizării incorecte a mașinii și/sau al procedurilor sau al condițiilor incorecte de funcționare, care pot fi evitate urmând măsurile de precauție adecvate, după cum este indicat mai jos.

- a) **Țineți bine scula electrică și aduceți-vă corpul și brațele într-o poziție în care să puteți controla forțele de recul. Utilizați întotdeauna un mâner auxiliar, în caz că acesta există, pentru**

**a avea un control maxim asupra forțelor de recul sau a momentelor de reacție la turații înalte. Operatorul poate stăpâni forțele de recul și de reacție prin măsuri preventive adecvate.**

- b) **Nu apropiați niciodată mâna de accesoriile aflate în mișcare de rotație. Accesoriul se poate deplasa peste mâna dumneavoastră.**
- c) **Evitați să staționați cu corpul în zona de mișcare a sculei electrice în caz de recul. Reculul proiectează scula electrică într-o direcție opusă mișcării discului de șlefuit din punctul de blocare.**
- d) **Lucrați extrem de atent în zona colțurilor, muchiilor ascuțite, etc. Împiedicați ricoșarea și blocarea accesoriului. Accesoriul aflat în mișcare de rotație are tendința să se blocheze în colțuri, pe muchii ascuțite sau când ricoșează în urma izbirii, determinând astfel pierderea controlului sau reculul.**
- e) **Nu folosiți pânze de ferăstrău pentru lemn sau pânze dințate. Asemenea dispozitive de lucru provoacă frecvent recul sau duc la pierderea controlului.**

#### Instrucțiuni suplimentare privind siguranța

- **Persoanele cu vârsta sub 16 ani nu pot utiliza aparatul.**
- **Utilizatorul sau operatorul trebuie să fie familiarizat cu conținutul acestui manual de instrucțiuni.**
- **Înainte de a monta pereții structurali, consultați inginerul structural competent, arhitectul sau șeful de șantier.**
- **Utilizați unealta electrică numai atunci când este instalată apărătoarea inclusă. Apărătoarea trebuie să fie bine fixată pe unealta electrică și reglată pentru a asigura cele mai bune condiții de siguranță posibile, de aceea partea discului de tăiere orientată spre operator trebuie să fie protejată cât mai mult posibil. Apărătoarea trebuie să protejeze operatorul împotriva așchiilor și a contactului accidental cu discul de tăiere.**
- **Utilizați numai discuri de tăiere diamantate. Doar pentru că aveți posibilitatea de instalare a echipamentului în unealta electrică nu asigură utilizarea în condiții de siguranță.**
- **Utilizați discurile de tăiere diamantate numai în scopurile pentru care au fost concepute. De exemplu, nu șlefuiți niciodată cu partea laterală a unui disc de tăiere. Discurile de tăiere sunt concepute pentru a îndepărta materialul cu marginea discului. Dacă se aplică o forță laterală acest tip de disc se poate rupe.**

- **Utilizați întotdeauna flanșe de fixare nedeteriorate, cu dimensiuni potrivite cu cele ale discului de tăiere.** *Flanșele corespunzătoare susțin discul de tăiere și reduc riscul de rupere.*
- **Asigurați siguranța zonei de lucru, inclusiv în spatele deschiderilor și sistemelor de decuplare.** *Zonele de lucru neprotejate vă pot pune în pericol pe dvs. și pe alte persoane.*
- **Aveți grijă la cablurile electrice deschise și ascunse, precum și la conductele de apă și gaz.** **Utilizați detectoare adecvate pentru a găsi conductele utilitare și/sau cablurile ascunse sau contactați o companie locală de utilități pentru sfaturi.** *Contactul cu cablurile electrice poate provoca incendii și șocuri electrice. Deteriorarea unei conducte de gaz poate provoca o explozie. Perforarea unei conducte cu apă cauzează daune materiale sau poate provoca un șoc electric.*
- **Țineți unealta electrică doar de mânerul izolat ori de câte ori există posibilitatea să lovească cabluri electrice ascunse sau propriul cablu de alimentare, în timpul funcționării.** *Atunci când intră în contact cu cabluri sub tensiune, toate părțile metalice ale unelei electrice sunt și ele sub tensiune, ceea ce poate provoca șocuri electrice pentru operator.*
- **Evitați să creați situații în care alte persoane se pot împiedica.** *Dacă vă împiedicați de cabluri, puteți suferi răni grave.*
- **Fixați piesa de prelucrat.** *O piesă de prelucrat ținută în siguranță în dispozitive de prindere sau într-o menhină se folosește mai sigur decât ținută în mână.*
- **Evitați acumularea de praf la locul de muncă.** *Praful se poate aprinde cu ușurință.*
- **Asigurați o ventilație adecvată în încăperile închise.** *Risc cauzat de praf și de tulburări de vedere.*
- **Praful provenit de la materiale precum învelișuri care conțin plumb, mai multe tipuri de lemn, minerale și metale poate fi dăunător pentru sănătate și poate provoca reacții alergice, boli respiratorii și/sau cancer.** *Materialele care conțin azbest pot fi prelucrate numai de către specialiști.*
  - *Ori de câte ori este posibil, utilizați un aspirator de tip industrial adecvat pentru materialul pe care lucrați.*
  - *Asigurați-vă că locul de muncă este ventilat corespunzător.*
- *Respectați normele aplicabile din țara dumneavoastră pentru materialele care urmează să fie prelucrate.*
- **Țineți cablul de alimentare departe de uneltele de lucru rotative.** **Pierderea controlului asupra unelei electrice poate duce la tăierea sau prinderea cablului de alimentare, de asemenea, mâna sau întregul braț pot fi prinse în unealta de lucru rotativă.**
- **Nu transportați unealta electrică atunci când se rotește.** *Contactul accidental al unelei de lucru rotative cu hainele poate cauza blocarea acesteia și vătămarea corpului operatorului.*
- **Nu începeți să lucrați înainte ca unealta electrică să atingă viteza maximă de rotație.**
- **Nu expuneți discurile diamantate pentru tăiere uscată la presiune laterală.**
- **Nu utilizați niciodată discuri diamantate pentru tăiere uscată pentru șlefuirea brută.**

### Siguranța electrică

Atunci când folosiți mașini electrice, respectați întotdeauna reglementările de siguranță aplicabile în țara dumneavoastră, pentru a reduce riscul de incendii, electrocutare și rănire personală. Citiți următoarele instrucțiuni de siguranță și, de asemenea, instrucțiunile de siguranță atașate.



Verificați întotdeauna dacă tensiunea rețelei electrice de alimentare tensiunii de pe plăcuța indicatoare a caracteristicilor tehnice.



Mașină clasa II - Izolație dublă - Nu aveți nevoie de nicio priză de împământare.

În cazul în care este necesară operarea sculei electrice într-o locație cu umiditate, folosiți un dispozitiv de curent rezidual (RCD) cu alimentare protejată. Utilizarea unui RCD reduce riscul de electrocutare.

## 2. INFORMAȚII CU PRIVIRE LA MAȘINĂ

### Domeniul de utilizare

Această unealtă electrică este concepută pentru tăierea uscată în zidărie (cărămidă, blocuri sili-co-calcaroase, piatră nearsă) și beton. Nu trebuie să fie utilizată pentru tăieri umede sau pentru tăieri în metal, sticlă, lemn etc.

## SPECIFICAȚII TEHNICE

Nr. model	WC503AC
Nr. model disc de tăiere	WC802AA
Tensiune rețea	230 V~
Frecvența prizei	50 Hz
Putere de alimentare	2400W
Turatie la mers în gol	8.000 /min
Diametru disc	150mm
Alezaj disc	22.2mm
Adâncime maximă de tăiere	43mm
Lățime de tăiere	30mm
Greutate	6.2 kg
Nivelul presiunii sonore LPA	97 + 3 dB(A)
Nivelul puterii sonore LWA	108 + 3 dB(A)
Vibrație ah	10.94 + 1.5 m/s <sup>2</sup>

## Nivelul vibrațiilor

Nivelul emisiilor de vibrații menționat în acest manual de instrucțiuni a fost măsurat în conformitate cu un test standardizat precizat în EN 60745; poate fi folosit pentru a compara o sculă cu alta și ca evaluare preliminară a expunerii la vibrații atunci când folosiți scula pentru aplicațiile menționate:

- utilizarea sculei pentru aplicații diferite sau cu accesorii diferite și prost întreținute, poate crește semnificativ nivelul de expunere;
- momentele în care scula este oprită sau când funcționează dar nu execută nicio lucrare, pot reduce semnificativ nivelul de expunere.

Protejați-vă împotriva efectelor vibrațiilor prin întreținerea sculei și a accesoriilor sale, păstrând mâinile calde și organizând procesele de lucru.

În cazul în care **cablul de alimentare** este deteriorat, acesta trebuie să fie înlocuit cu un **cablu de alimentare** special pregătit, disponibil la unitatea de service.

## DESCRIERE

Numerele din text se referă la diagramele de la paginile 2-3.

1. Comutator pornire/oprire
2. Comutator blocare
3. Mâner posterior
4. Cilindru posterior
5. Capac perie de cărbune
6. Șurub lamă
7. Flanșă exterioară
8. Disc diamantat
9. Cilindru frontal
10. Mâner frontal
11. Pârghie de reglare a adâncimii
12. Port de extragere a prafului
13. Scală de reglare a adâncimii
14. Furtun de aspirare

## 3. ASAMBLAREA



Înainte de asamblare, opriți alimentarea electrică a mașinii și deconectați fișa cablului de alimentare de la priza de rețea.

## Montarea și înlocuirea discului (Fig. A, C, D)



Un disc rupt sau deteriorat trebuie înlocuit imediat.



Utilizați numai discuri a căror viteză de rotație permisă este mai mare sau egală cu viteza maximă de rotație a mașinii.

Mașina de frezat este concepută pentru a funcționa cu discuri speciale 3 în 1. Utilizați doar discuri care sunt aprobate de producător.

1. Țineți flanșa exterioară (7) cu ajutorul cheii mari din dotare.
2. Îndepărtați șurubul (6) cu ajutorul cheii mici din dotare.  
**Notă:** șurubul are un filet pe stânga.
3. Îndepărtați flanșa exterioară (7).
4. Montați discul (8) pe ax. Asigurați-vă că săgeata de pe carcasă corespunde cu săgeata de pe discul (8).  
**Notă:** axul nu iese în afara orificiului discului (8).
5. Introduceți flanșa exterioară (7) în orificiul discului. Rotiți flanșa exterioară (7) în timp ce o apăsați, până când este complet strânsă.
6. Strângeți șurubul (6).

7. Folosiți cheia mare pentru a ține flanșa exterioară (7). Strângeți acum șurubul (6) cu ajutorul cheii mici.

Pentru a îndepărta discul, urmați procedura de instalare în ordine inversă.

#### Aspirarea prafului (Fig. A, F)



Asigurați o ventilație bună la locul de muncă.



Purtați protecție antipraf.

Praful de la anumite materiale, cum ar fi pulberile în suspensie, poate fi dăunător pentru sănătate. Respirarea acestui praf poate provoca reacții alergice și / sau poate provoca boli respiratorii utilizatorului sau persoanelor din vecinătate. Prin urmare, trebuie utilizat un sistem de aspirare a prafului adecvat pentru acest material. Pentru a face acest lucru:



Aspiratorul de praf trebuie să fie adecvat pentru materialul prelucrat.



La aspirarea prafului uscat, care este deosebit de dăunător sănătății sau este cancerigen, utilizați un aspirator de praf special.

Un furtun de aspirator (14) poate fi conectat la orificiul de aspirare a prafului (12). Când începeți să lucrați, porniți mai întâi sistemul de aspirare a prafului, de exemplu, un aspirator industrial, apoi porniți mașina de frezat. După terminarea lucrării, procedați invers - opriți mai întâi mașina de frezat, apoi aspiratorul.



Evitați acumularea de praf la locul de muncă. Praful se poate aprinde cu ușurință.

Sistemul de extragere a prafului poate fi blocat de praf, așchii sau fragmente ale piesei de prelucrat. Astfel, trebuie să fie curățat în mod regulat. Pentru a face acest lucru:

1. Deconectați fișa de la sursa de alimentare.
2. Așteptați până când discul (8) se oprește complet.
3. Dacă este necesar, eliminați orice blocaj.

## 4. OPERAREA

#### Reglarea adâncimii de tăiere (Fig. B, E)



Înainte de a începe să lucrați, setați adâncimea de tăiere cu aparatul oprit.

1. Slăbiți maneta (11) deplasând-o înapoi.
2. Reglați la adâncimea de tăiere necesară, așa cum se arată în figura E. Adâncimea poate fi citită pe scara (13).
3. Slăbiți maneta (11) deplasând-o înainte.

#### Pornirea și oprirea (Fig. A)

- Pentru a porni mașina, mențineți butonul de deblocare (2) apăsat și apăsați simultan comutatorul de pornire/oprire (1).
- Pentru a opri mașina, eliberați comutatorul de pornire/oprire (1).

#### Efectuarea unei tăieturi (Fig. A, G)



Mașina de frezat este concepută numai pentru tăieri drepte. Nu este permisă efectuarea de tăieturi curbe sau rotunde.



Unealta este concepută numai pentru tăieri uscate.



Țineți întotdeauna unealta cu ambele mâini de mânerule izolate.

1. Trasați linia pentru a defini direcția în care să ghidați discurile.
2. Montați un aspirator la priză de praf.
3. Reglați adâncimea de tăiere.
4. Poziționați cilindrul posterior (4) pe suprafața peretelui. Rețineți că discul nu trebuie să atingă încă suprafața peretelui.
5. Porniți mașina de frezat și așteptați până când discurile ating viteza maximă de rotație.
6. Coborâți treptat mașina de frezat, împingând discurile în suprafața peretelui.
7. De îndată ce cilindrul frontal (9) se sprijină pe suprafața peretelui, continuați tăierea și deplasați mașina de frezat înainte și la distanță de dumneavoastră (în direcția opusă rotației discului de tăiere).
8. Deplasați încet mașina de-a lungul liniei trasate anterior, apăsând cu fermitate discurile de perete.

**Notă:** Nu aplicați o presiune excesivă asupra mașinii. Lăsați mașina să execute operația.

Aplicarea unei presiuni excesive poate cauza supraîncălzirea motorului și deteriorarea discului de tăiere.

9. Pentru a încheia tăierea, opriți mașina și așteptați până când discurile se opresc complet. După aceea, scoateți discurile din suport și puneți aparatul jos.



*După ce opriți mașina de frezat, nu forțați frânarea discului rotativ prin apăsarea acestuia pe materialul prelucrat.*



*Discurile de tăiere se încălzesc la temperaturi ridicate în timpul funcționării - nu le atingeți fără să purtați protecție înainte ca acestea să se răcească.*

**Notă:** Atunci când tăiați materiale foarte dure, discul de tăiere se poate supraîncălzi și, în consecință, se poate deteriora. Scântele puternice din jurul discului de tăiere indică o supraîncălzire. Când mașina se supraîncălzeste, opriți tăierea și răciți discul făcându-l să funcționeze la viteza maximă de rotație fără sarcină timp de 3-5 minute. O scădere a eficienței de tăiere și apariția de scântei puternice și constante în jurul discului de tăiere pot indica un disc de tăiere tocit.

## 5. ÎNȚEȚINERE



*Înainte de curățare și întreținere, opriți alimentarea electrică a mașinii și deconectați fișa cablului de alimentare de la prizele de rețea.*

Curățați regulat carcasa cu o cârpă moale, de preferat după fiecare utilizare. Curățați fantele de aerisire de praf și murdărie. Îndepărtați murdăria persistentă cu o cârpă moale înmuiată în clăbuci de săpun. Nu folosiți solvenți precum benzină, alcool, amoniac, etc. Astfel de substanțe chimice vor deteriora componentele sintetice.

## MEDIU ÎNCONJURĂTOR



*Aparatele electrice sau electronice deteriorate și/sau defecte trebuie colectate în locurile de reciclare corespunzătoare.*

### Numai pentru țările din CE

Nu aruncați echipamentele actionate electric în-

preuna cu gunoii menajer. Conform Indicatiei europene 2012/19/EU pentru echipamente electrice și electronice uzate și a implementării sale la nivel national, echipamentele actionate electric scoase din uz trebuie colectate separat și evacuate într-o maniera ecologica.

## GARANȚIE

Produsele VONROC sunt realizate la cele mai înalte standarde de calitate și sunt garantate în privința materialelor și a manoperei pentru întreaga perioadă de utilizare în garanție, începând cu data achiziției. În cazul în care produsul se defectează în timpul perioadei de utilizare, contactați direct VONROC.

Următoarele circumstanțe sunt excluse de la această garanție:

- Reparațiile sau modificările care realizate sau care s-au încercat a fi efectuate de centre de service neautorizate.
- Uzura în condiții normale.
- Unealta care a fost abuzată, utilizată într-un mod neglijent sau întreținută în mod inadecvat.
- Folosirea unor piese de schimb neoriginale.

Aceasta acoperă garanția companiei, explicită sau implicită. Nu există alte garanții explicite sau implicite care să se extindă dincolo de cele indicate aici, incluzând garanțiile, vandabilitatea sau adecvarea pentru un anumit scop. În nicio situație, VONROC nu este responsabil pentru daunele incidentale sau consecvențiale. Reparațiile efectuate de reprezentant trebuie să fie limitate la reparațiile sau la înlocuirea unităților sau a pieselor neconforme.

**Produsul și manualul de utilizare pot suferi modificări. Specificațiile se pot modifica fără notificare prealabilă.**









**DECLARATION OF CONFORMITY  
WC503AC - WALL CHASER**

- (EN) We declare under our sole responsibility that this product is in conformity with directive 2011/65/EU of the European parliament and of the council of 8 June 2011 on the restriction of the use of certain hazardous substances in electrical and electronic equipment in conformity and accordance with the following standards and regulations:
- (DE) Der Hersteller erklärt eigenverantwortlich, dass dieses Produkt der Richtlinie 2011/65/EU des Europäischen Parlaments und des Rates vom 8. Juni 2011 über die Einschränkung der Anwendung von bestimmten gefährlichen Stoffen in elektrischen und elektronischen Geräten entspricht. den folgenden Standards und Vorschriften entspricht:
- (NL) Wij verklaren onder onze volledige verantwoordelijkheid dat dit product voldoet aan de conform Richtlijn 2011/65/EU van het Europees Parlement en de Raad van 8 juni 2011 betreffende beperking van het gebruik van bepaalde gevaarlijke stoffen in elektrische en elektronische apparatuur en in overeenstemming is met de volgende standaarden en reguleringen:
- (FR) Nous déclarons sous notre seule responsabilité que ce produit est conforme aux standards et directives suivants: est conforme à la Directive 2011/65/EU du Parlement Européen et du Conseil du 8 juin 2011 concernant la limitation d'usage de certaines substances dangereuses dans l'équipement électrique et électronique.
- (ES) Declaramos bajo nuestra exclusiva responsabilidad que este producto cumple con las siguientes normas y estándares de funcionamiento: se encuentra conforme con la Directiva 2011/65/UE del Parlamento Europeo y del Consejo de 8 de junio de 2011 sobre la restricción del uso de determinadas sustancias peligrosas en los equipos eléctricos y electrónicos.
- (IT) Dichiariamo, sotto la nostra responsabilità, che questo prodotto è conforme alle normative e ai regolamenti seguenti: è conforme alla Direttiva 2011/65/UE del Parlamento Europeo e del Consiglio dell'8 giugno 2011 sulla limitazione dell'uso di determinate sostanze pericolose nelle apparecchiature elettriche ed elettroniche.
- (SV) Vi garanterar på eget ansvar att denna produkt uppfyller och följer följande standarder och bestämmelser: uppfyller direktiv 2011/65/EU från Europeiska parlamentet och EG-rådet från den 8 juni 2011 om begränsningen av användning av farliga substanser i elektrisk och elektronisk utrustning.
- (DA) Vi erklærer under eget ansvar, at dette produkt er i overensstemmelse med følgende standarder og bestemmelser: er i overensstemmelse med direktiv 2011/65/EU fra Europa-Parlamentet og Rådet af 8. juni 2011 om begrænsning af anvendelsen af visse farlige stoffer i elektrisk og elektronisk udstyr.
- (PL) Deklarujemy na własną odpowiedzialność, że ten produkt spełnia wymogi zawarte w następujących normach i przepisach: jest zgodny z Dyrektywą 2011/65/UE Parlamentu Europejskiego i Rady z dnia 8 czerwca 2011 r. w sprawie ograniczenia stosowania niektórych niebezpiecznych substancji w sprzęcie elektrycznym i elektronicznym.
- (RO) Declaram prin aceasta cu răspunderea deplină că produsul acesta este în conformitate cu următoarele standarde sau directive: este în conformitate cu Directiva 2011/65/UE a Parlamentului European și a Consiliului din 8 iunie 2011 cu privire la interzicerea utilizării anumitor substanțe periculoase la echipamentele electrice și electronice.

EN 60745-1, EN 60745-2-22, 2006/42/EC, EN 61000-3-3

EN 55014-1, EN 55014-2, EN 61000-3-2, EN 61000-3-11, 2014/30/EU, 2011/65/EU, 2012/19/EU

Zwolle, 01-01-2022

H.G.F Rosberg  
CEO

VONROC • Lingenstraat 6 • 8028 PM Zwolle • The Netherlands



**VONROC®**  
BUILD YOUR FUTURE

©2022 VONROC  
[WWW.VONROC.COM](http://WWW.VONROC.COM)

2201-06