

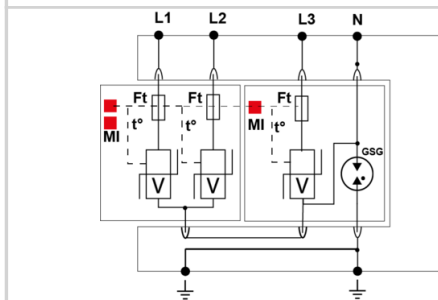
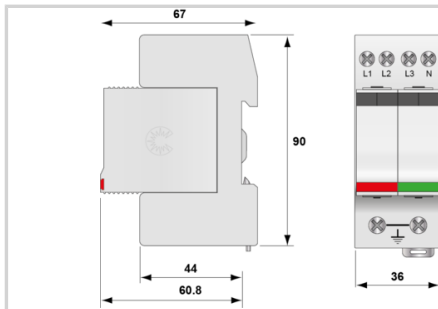


CITEL

DS440-230/G



- ↳ Compact 3-Phase Type 2 surge protector
- ↳ In : 20 kA
- ↳ Imax : 40 kA
- ↳ Common/Differential mode
- ↳ Pluggable module
- ↳ Remote Signaling contact option
- ↳ EN 61643-11, IEC 61643-11, UL1449 ed.4 compliance



V: High-energy varistor  
 GSG: Specific Gas Tube  
 Ft: Thermal fuse  
 t°: Thermal disconnection system  
 MI: Disconnection indicator

**Electrical Characteristics**

SPD type (following IEC tests)		2
Network		230/400 V 3-phase
AC system		TT-TN
Max. AC operating voltage	Uc	255 Vac
Temporary Over Voltage (TOV) Characteristics - 5 sec. (Without disconnection)	UT	335 Vac withstand
Temporary Over Voltage (TOV) Characteristics - 120 mn (Without disconnection or with safety disconnection)	UT	440 Vac disconnection
Temporary Over Voltage N/PE (TOV HT) (Without disconnection or with safety disconnection)	UT	1200 V/300A/200 ms withstand
Residual Current (Leakage current to Ground)	Ipe	None
Follow current	If	None
Nominal discharge current (15 x 8/20 μs impulses)	In	20 kA
Max. discharge current (max. withstand @ 8/20 μs by pole)	Imax	40 kA
Total Maximum discharge current (max. total withstand @ 8/20 μs)	Imax Total	40 kA
Connection mode(s)		L/N and N/PE
Protection mode(s)		Common/Differential mode
Residual voltage at 5 kA (@ 5 kA (8/20μs))	Up-5kA	1.5/0.9 kV
Protection level L/N (@ In (8/20μs))	Up L/N	1.25 kV
Admissible short-circuit current	Iscrc	10 000 A

**Mechanical Characteristics**

Technology		MOV
SPD configuration		3-phase+Neutral
Connection to Network		by screw terminals: 1.5-10mm <sup>2</sup> (L/N) or 2.5-25mm <sup>2</sup> (PE)
Format		Plug-in modular box
Mounting		Symmetrical rail 35 mm (EN 60715)
Housing material		Thermoplastic UL94 V-0
Operating temperature	Tu	-40/+85°C
Protection rating		IP20
Failsafe mode		Disconnection
Disconnection indicator		3 mechanical indicators
Spare module(s)		DSM440-230G and DSM440-230/GPE
Remote signaling of disconnection		Option DS440S-230/G : output on changeover contact
Dimensions		See diagram
Weight		0.214 kg

**Disconnectors**

Thermal disconnector		Internal
Installation ground fault breaker		Type 'S' or delayed
Fuses		50 A mini. - 125 A max. - Fuses Type gG

**Standards**

Standards compliance		IEC 61643-11 / EN 61643-11 / UL1449 ed.4
Certification		EAC

**Part number**

311722





*Compact 3-phase+N Type 2 surge protector - 230/400 V - Pluggable*

---

**DS440-230/G**

AC POWER

