

Product data

Product code	VG03-0003	STK-code	1912008	EAN-code	6410019120080
Product name	OJL-connector 280				
Wires	1xAl/Cu (35-120mm²)/ 2x(6-35 mm²)/ 5x(2,5-16mm²)/ 4x(2,5-10mm²)				

Technical data

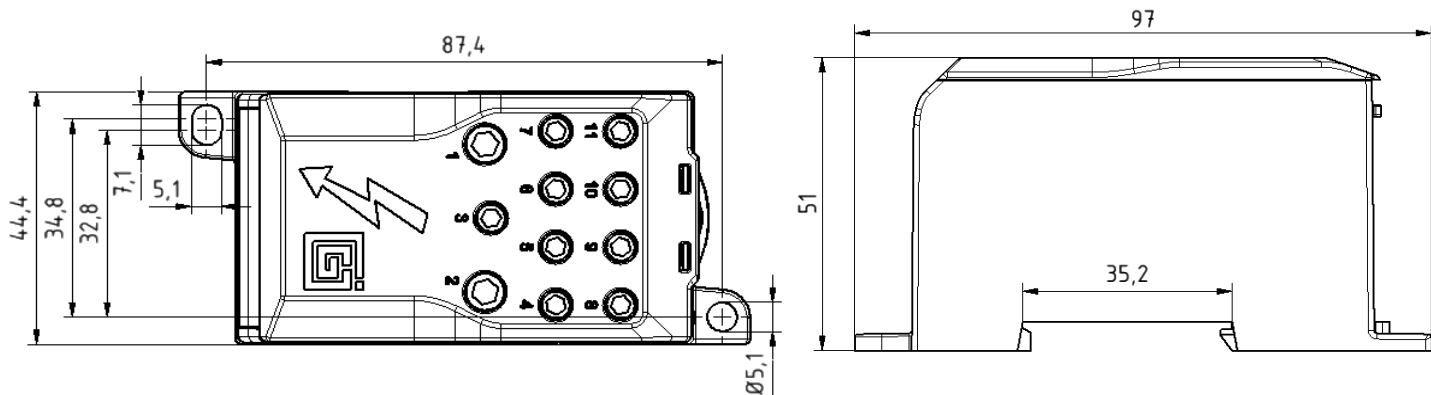
Nominal current	Cu	280	A
	Al	250	A
Nominal voltage		1000	V
Max. Current (US)	Cu	-	A
	Al	-	A
Max. Voltage (US)		-	V
Number of pole		1	pcs
Max. Cross section		120	mm ²
Tightening torque	95-120 mm ²	19	Nm
	50-70 mm ²	10	Nm
	25-35 mm ²	6	Nm
	2,5-16 mm ²	3	Nm
Max. Operating temperature		80	°C
Weight		178	g
IP-protection		IP20	
Standards	EN 61238-1:2003; EN 60947-7-1:2009		
Color/ Material	Grey Cover, Grey Housing RAL 7035		
Mounting/ Connection	DIN-rail and screw mounting		



Description

The Single pole distribution block for branching connection. The single pole distribution block are compact and it will distribute the current through 11 output cables.

Drawing



Package

Package	Box	pcs/ package	12	Weight [Kg]	2,30
Length [mm]	210	Width [mm]	155	Height [mm]	105