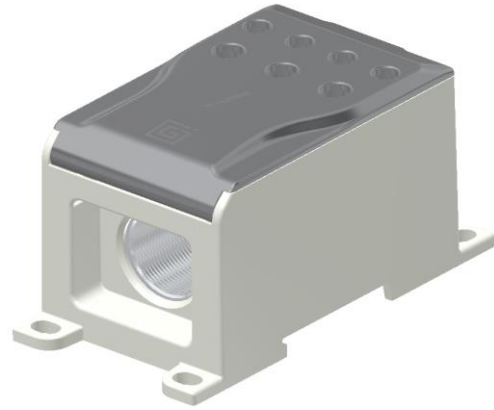


Product data

Product code	VG03-0007	STK-code	1912093	EAN-code	6410019120936
Product name	OJL-connector 400 C				
Wires	1xAl/Cu 95-240/ 3xCu(6-50 mm ²)/ 4xCu(2,5-35mm ²)				

Technical data

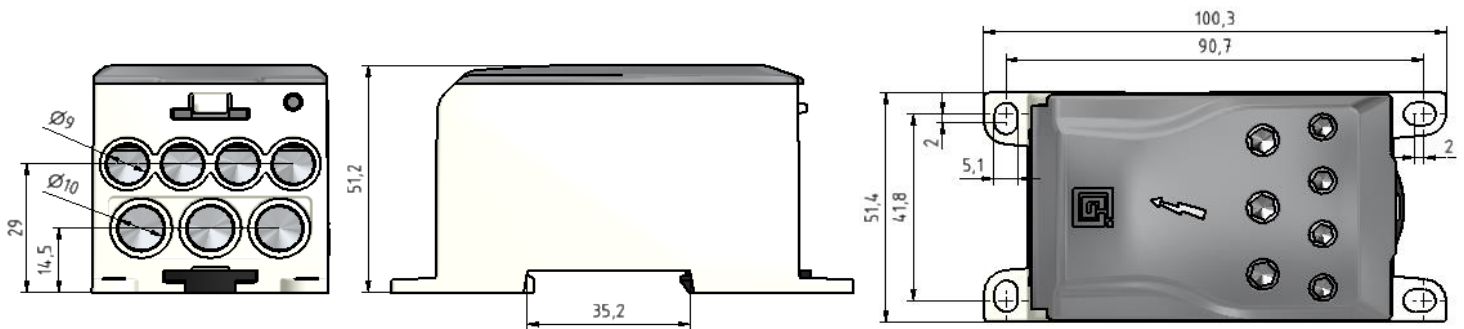
Nominal current	Cu	425	A
	Al	380	A
Nominal voltage		1000	V
Max. Current (US)	Cu	-	A
	Al	-	A
Max. Voltage (US)		-	V
Number of pole		1	pcs
Max. Cross section		240	mm ²
Tightening torque	2,5-35 mm ²	6	Nm
	6-50 mm ²	10	Nm
	95-240 mm ²	25	Nm
	-	-	Nm
Max. Operating temperature		80	°C
Weight		250	g
IP-protection		IP20	
Standards	EN 61238-1:2003; EN 60947-7-1:2009		
Color/ Material	Grey Cover, Grey Housing RAL 7035		
Mounting/ Connection	DIN-rail and screw mounting		



Description

The Single pole distribution block for branching connection. The single pole distribution block are compact and it will distribute the current through 7 output cables.

Drawing



Package

Package	Box	pcs/ package	8	Weight [Kg]	2,10
Length [mm]	210	Width [mm]	155	Height [mm]	105